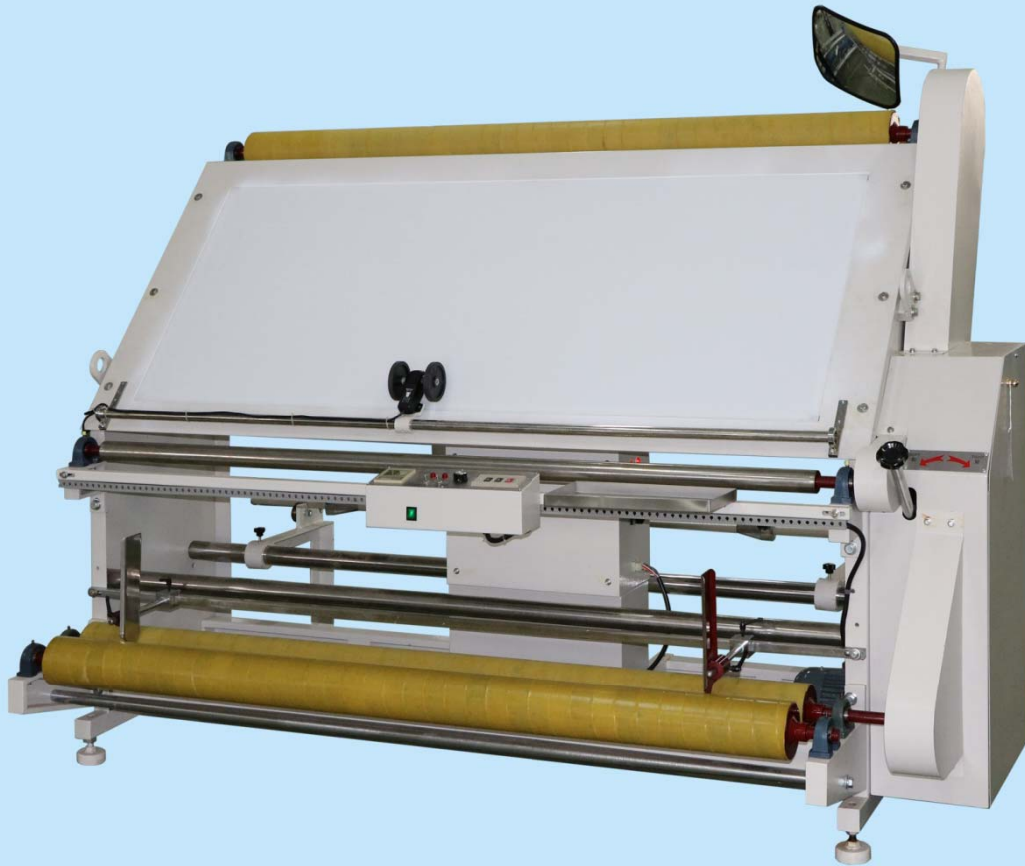


# NS-59 捲布驗布機 Cloth Winding Inspection Machine



- 適用各種布料的驗布及捲布，尤其適合梭織布的捲驗
- 捲布採用無段電子變速
- 可調校捲布張力，實現硬捲或軟捲，方便不同的捲布需求
- 捲布主軸可前轉或後轉，方便驗布需求
- 備電子計數表，可米/碼轉換(默認單位:米)，方便記錄布匹長度，精度： $\pm 0.5\%$

#### 選購件：

- 燈罩連燈管
- 自動鬆布系統
- 自動展布系統

- Suitable for fabric winding and inspecting, especially for woven fabric
- Electric continuous winding speed variation
- It can perform tensed or relaxed winding through tension adjustment according to different cloth winding requirement
- Winding main shaft can rotate forward or reversely to facilitate cloth inspection
- With meter/yard (default: m) switchable digital counter to record cloth length, precision:  $\pm 0.5\%$

#### Options:

- Lamp Cover With Strip Lamp
- Automatic Fabric Loosening System
- Automatic Fabric Spreading System

**跟機件Standards:**



1  
電子計數表(可米/碼轉換)  
Digital meter (could switch between meter and yardage)



2  
捲布擋板，能降低捲布時布卷左右擺動的範圍  
Winding baffle can limit the fabric swing range during winding

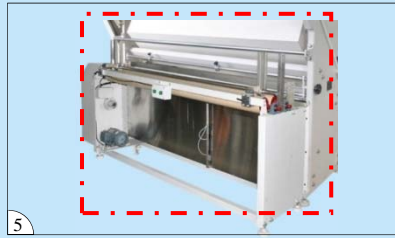


3  
捲布驗布操作  
Winding and inspecting

**選購件Options:**



4  
燈罩連燈管  
Lamp Cover With Strip Lamp



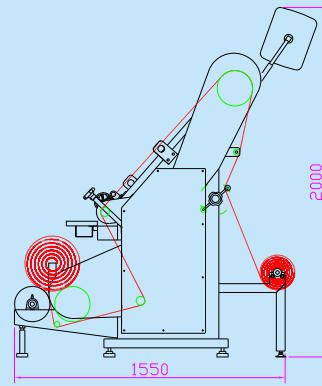
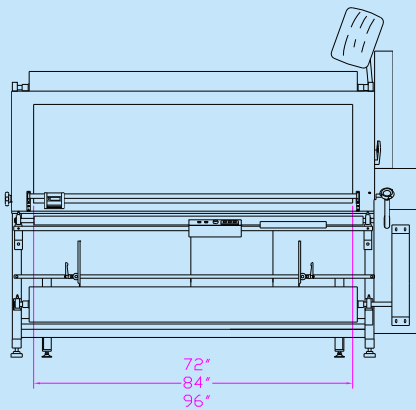
5  
自動鬆布系統  
Automatic Fabric Loosening System



6  
自動展布系統  
Automatic Fabric Spreading System

型號 Model	選購件 Options		
	燈罩連燈管 Lamp Cover With Strip Lamp	自動鬆布系統 Automatic Fabric Loosening System	自動展布系統 Automatic Fabric Spreading System
NS-59H-72/NS-59L-72	AC-A-1-72	O-A-06-01	O-A-10-01
NS-59H-84/NS-59L-84	AC-A-1-84	O-A-06-02	O-A-10-02
NS-59H-96/NS-59L-96	AC-A-1-96	O-A-06-03	O-A-10-03

**NS-59H**



型號 Model	電源 Power Supply	總功率(kW) Total Power	捲布馬達功率(kW) Winding Motor Power	工作闊度(inch) Working Width	捲布直徑(inch) Cloth Winding Diameter	捲布速度(m/min) Cloth Winding Speed	最大承重(kg) Max. Load Bearing Capacity	淨重(kg) Net Weight	毛重(kg) Gross Weight	機身尺寸(mm) Machine Size
NS-59H-72	1PH/220V/50Hz	1.8	1.5	72	15	2~35	95	650	850	2370x1550x2000
NS-59H-84				84				710	934	2675x1550x2000
NS-59H-96				96				750	1030	2980x1550x2000
NS-59L-72	1PH/220V/50Hz	1	0.75	72	12	2~35	60	380	550	2370x1160x2000
NS-59L-84				84				510	660	2675x1160x2000
NS-59L-96				96				525	690	2980x1160x2000



**藝誠(余氏)發展有限公司**  
**Ngai Shing Development Limited**

香港九龍長沙灣永康街52號地下  
G/F., 52 Wing Hong St.,  
Cheung Sha Wan, Kln., Hong Kong.

Tel: (852) 2741 9981, 2742 0078 E-MAIL: info@ngaishing.com  
Fax: (852) 2785 3149 Http://www.ngaishing.com