

**NS-355A**

**噴蒸汽抽濕熨檯**

**Steam Spray Vacuuming Ironing Table**



- 適用於整熨各種毛衣，配合定型衣架(選購件)，使衣物自然有型，尺碼一致
- 寬大檯面，適合放置不同尺碼衣服
- 傾斜熨檯，縮短了操作距離，符合人體工學，操作更方便
- 檯面設有噴蒸汽、抽濕系統(需另購真空泵)，使整熨效果更佳
- 時間制面板，可獨立設置噴蒸汽、抽濕時間，可根據不同的衣物選擇不同時間，達到最佳效果
- 木製檯邊，避免蒸汽传热烫伤人手，提高操作安全，美观、实用

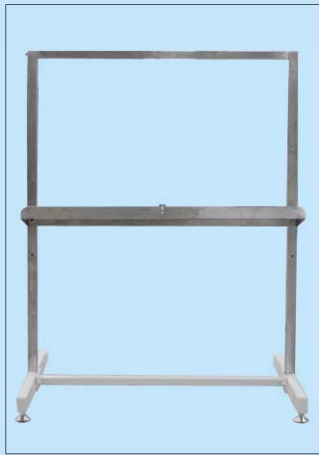
**選購件：**

1. NS-3400系列真空抽濕泵
2. 毛衣有袖衣架
3. 毛衣無袖衣架
4. 耐高溫手套

- Suitable for ironing all kinds of knitted sweaters with the assistance of sweater frame (option), which makes sweater in good shape and with uniform size
- Broad ironing table for different sized sweaters
- Slanted ironing table shortens the operation distance, the ergonomic design makes operation become more convenient
- The table top has steam spraying and vacuuming system(Sold separately) for better ironing result
- Control panel with timer for setting steam spraying time and vacuuming time separately, so users could set different time according to different fabric to get the best ironing result
- Wooden table edge can avoid hands scalding by steam heat, thus improve operation safety; its design is beautiful and practical

**Options:**

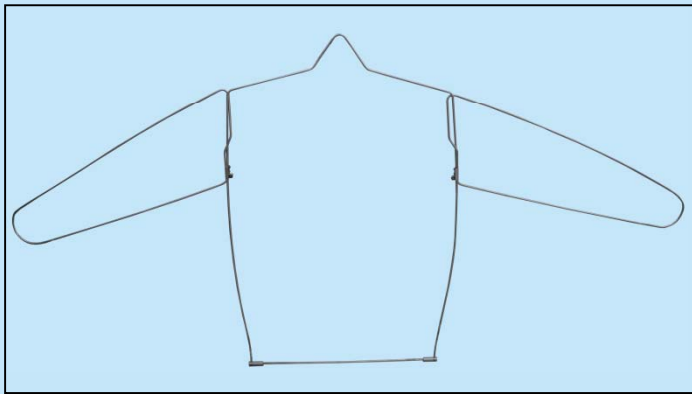
1. NS-3400 Series Vacuum Pump
2. Sweater Frame with Sleeves
3. Sweater Frame without Sleeves
4. High Temperature Resistance Gloves



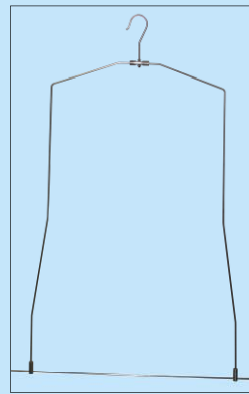
放衣架 (跟機件)  
Garment Stand (Standard)



工作中  
In working



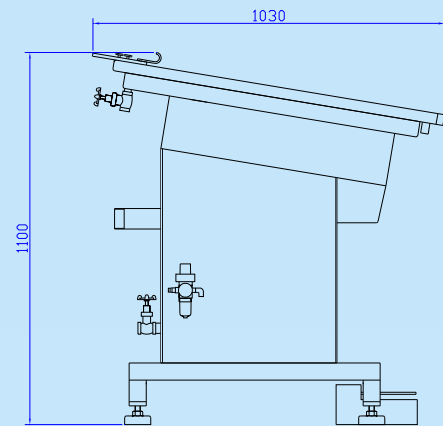
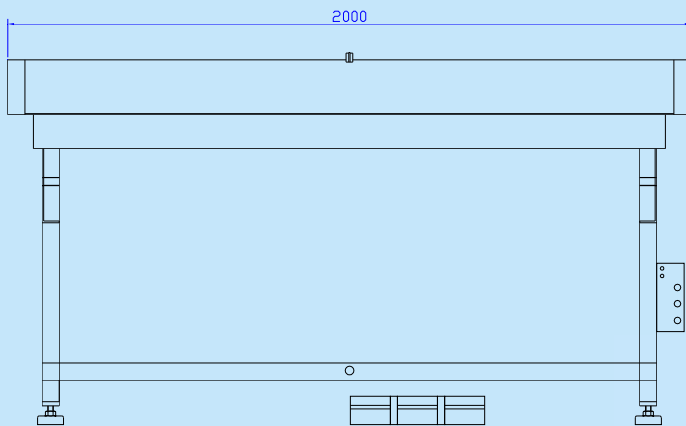
O-E-02-2-1  
毛衣有袖衣架(選購件)  
Sweater Frame with Sleeves (option)



O-E-02-1  
毛衣無袖衣架(選購件)  
Sweater Frame without  
Sleeves (option)



C11-002-10-1  
耐高溫手套(選購件)  
High Temperature  
Resistance Gloves  
(option)



型號 Model	電源 Power Supply	總功率(kW) Total Power	蒸汽壓力(kgf/cm <sup>2</sup> ) Steam Pressure	耗蒸汽量(kg/hr) Steam Consumption	壓縮空氣壓力(kgf/cm <sup>2</sup> ) Compressed Air Pressure	耗壓縮空氣量(L/min) Compressed Air Consumption	檯面尺寸(mm) Table Size	機身尺寸 (mm) Machine Size
NS-355A	1PH/220V/50Hz	0.2	3~5	60~100	5	1.5	900×1800	2000×1030×1100



藝誠(余氏)發展有限公司  
Ngai Shing Development Limited

香港九龍長沙灣永康街52號地下  
G/F., 52 Wing Hong St.,  
Cheung Sha Wan, Kln., Hong Kong.

Tel: (852) 2741 9981, 2742 0078 E-MAIL: info@ngaishing.com  
Fax: (852) 2785 3149 Http://www.ngaishing.com