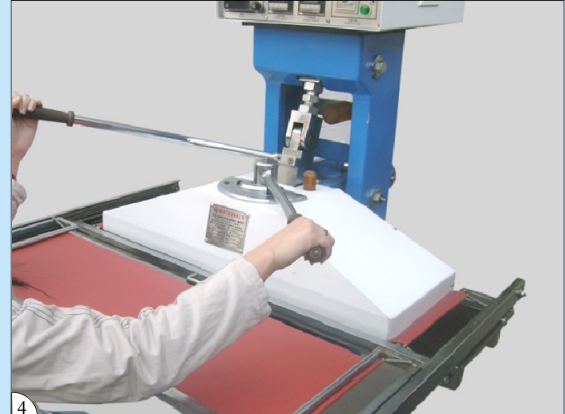
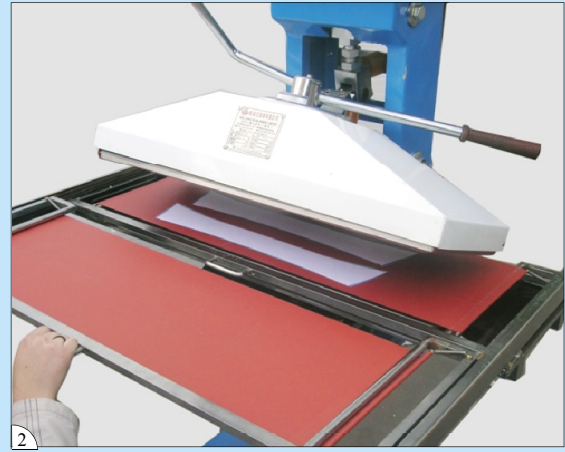
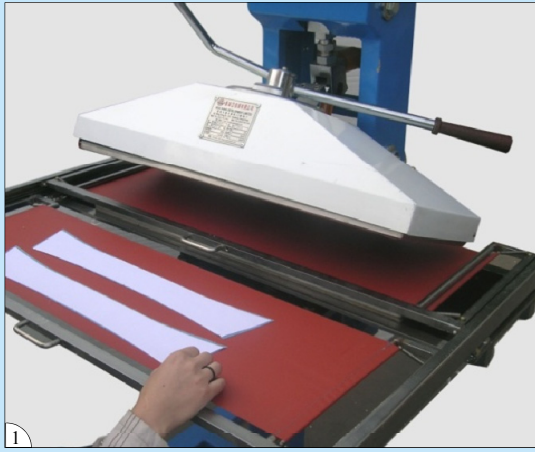


NS-2550 手動粘合機 Manual Fusing Press



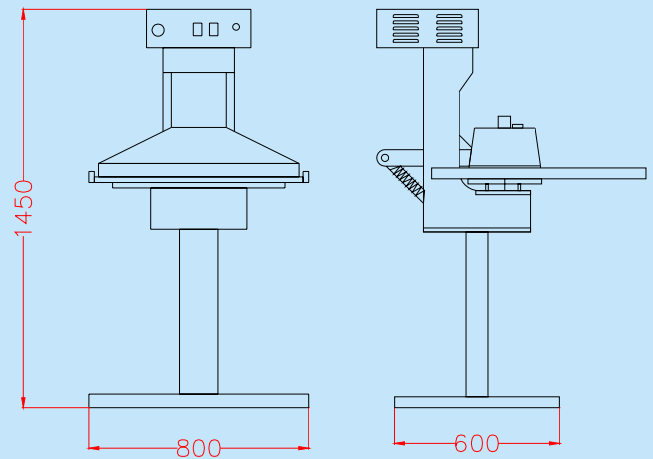
- 適用於襯衫領壓熨及粘合
- 手動操作，經濟便宜
- 高壓加壓可達 $2\text{kg}/\text{cm}^2$
- 雙物料架操作，生產效率高
- 獨立上下高精度數字恆溫掣
- 備計時響鬧系統

- Suitable for shirt collar pressing and fusing
- Manual operation, economical and cheap
- High pressure up to $2\text{kg}/\text{cm}^2$
- Double platforms operation to produce high efficiency
- Independent upper and lower high accurate digital thermostats
- Equipped with timing alarm system



1. 將布/模置於工作架
2. 將工作架推/拉至發熱板上
3. 將上發熱板壓下
4. 將加壓手柄鎖緊
5. 控制面板

1. Place the fabric/interlining on the platform
2. Push the platform onto the lower heating plate
3. Press down the top heating plate
4. Tighten the pressure adding handle
5. Control panel



型號 Model	電源 Power Supply	總功率(kW) Total Power	最高溫度(℃) Max. Temperature	工作台面尺寸(mm) Working Table Size	機身尺寸(mm) Machine Size
NS-2550	1PH/220V/50Hz	3.1	200	750x254	960x980x1450



藝誠(余氏)發展有限公司
Ngai Shing Development Limited

香港九龍長沙灣永康街52號地下
 G/F., 52 Wing Hong St.,
 Cheung Sha Wan, Kln., Hong Kong.

Tel: (852) 2741 9981, 2742 0078 E-MAIL: info@ngaishing.com
 Fax: (852) 2785 3149 Http://www.ngaishing.com