

NS-601/ NS-601-L 針床連燈架 Pinning Table With Light Stand



- 適用於裁片的對格對條
- 活動升降板，使插針能依照布厚度升降
- 檯面部分區域已有孔位，方便插針
- 檯面備縱橫線條方便對位
- 鐳射燈架可根據需要擺放在針床任一側

跟機件：

A624-1 裁床針 $\varnothing 1\text{mm} \times 6'' \times 25$ 根

選購件：

NS-6202S-2M / NS-6212S-2M 直線鐳射燈
NS-6203C-2M / NS-6213C-2M 十字鐳射燈
O-A-03-12 十字鐳射燈可調支架
O-A-03-13 一字鐳射燈可調支架
O-A-03-14 十字鐳射燈自動可調支架
O-A-03-15 一字鐳射燈自動可調支架

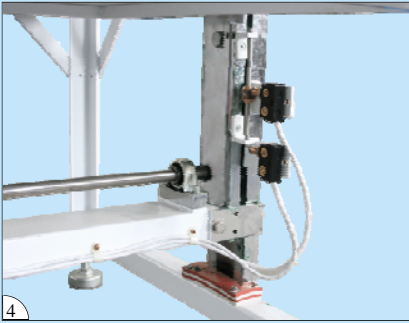
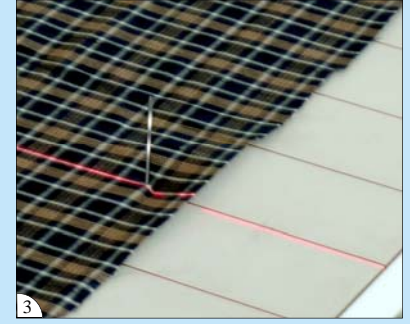
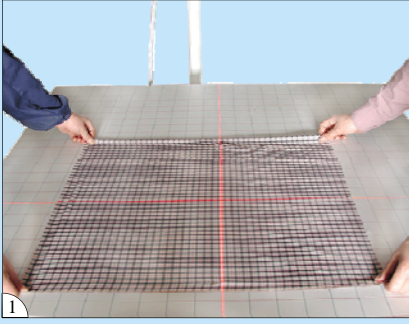
- Suitable for plaid or stripe matching of cut pieces
- Lifting platform can adjust needle height according to fabric thickness
- Some areas of table already have holes for locating pins
- Table top with crossed lines to facilitate positioning
- The laser marker stand can be placed on either side of the pinning table based on production need

Standard:

A624-1 Cutting table needle $\varnothing 1\text{mm} \times 6'' \times 25$ pcs

Options:

NS-6202S-2M / NS-6212S-2M Straight laser marker
NS-6203C-2M / NS-6213C-2M Cross laser marker
O-A-03-12 Adjustable support of cross laser marker
O-A-03-13 Adjustable support of straight laser marker
O-A-03-14 Automatic adjustable support of cross laser marker
O-A-03-15 Automatic adjustable support of straight laser marker



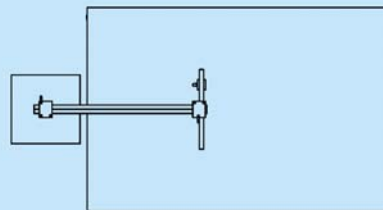
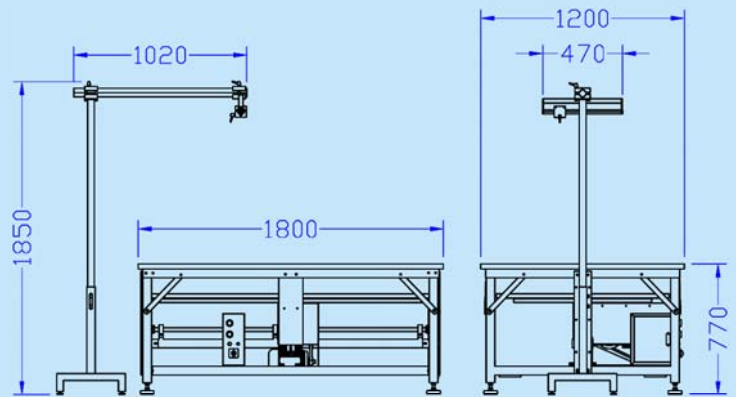
1. 對格
 2. 插針
 3. 固定布匹
 4. 針板上升/下降微動開關
1. Checker matching
 2. Insert needle
 3. Fix fabric
 4. Table lifting micro switch

選購件:

5. NS-6202S-2M直線鐳射燈
NS-6212S-2M直線鐳射燈
6. NS-6203C-2M十字鐳射燈
NS-6213C-2M十字鐳射燈

Options:

5. NS-6202S-2M Straight laser marker
NS-6212S-2M Straight laser marker
6. NS-6203C-2M Cross laser marker
NS-6213C-2M Cross laser marker



NS-601 外形尺寸圖
Overall Dimensions

型號 Model	電源 Power Supply	總功率(kW) Total Power	檯面尺寸(mm) Table Size	毛重(kg) Gross Weight	裝箱尺寸(mm) Packing Size
NS-601	1PH/220V/50Hz	0.2	1200x1800	388	2110x1340 x950
NS-601-L			1200x2400	446	2710x1340 x950



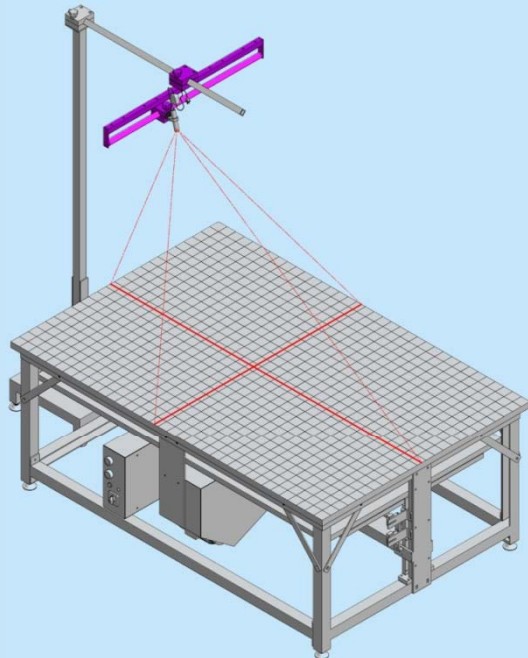
藝誠(余氏)發展有限公司
Ngai Shing Development Limited

香港九龍長沙灣永康街52號地下
G/F., 52 Wing Hong St.,
Cheung Sha Wan, Kln., Hong Kong.

Tel: (852) 2741 9981, 2742 0078 E-MAIL: info@ngaishing.com
Fax: (852) 2785 3149 Http://www.ngaishing.com

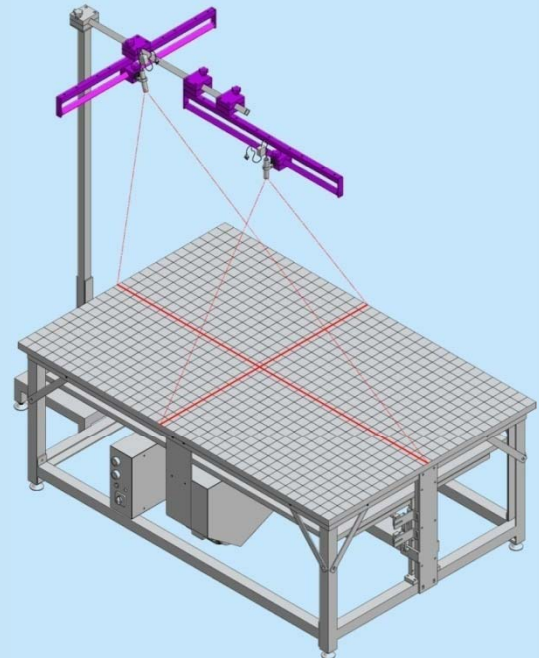
選購件 Options:

1. O-A-03-12 十字鐳射燈可調支架(900mm)(1套)
Adjustable support of cross laser marker
(900mm)(1set)
- 2.NS-6203C-2M 十字鐳射燈 - 紅 (1支)
Cross laser marker – Red (1pc)



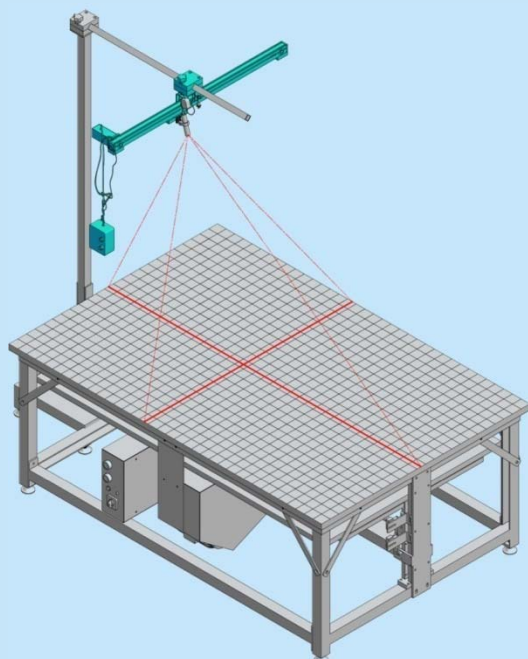
選購件 Options:

1. O-A-03-13 一字鐳射燈可調支架(900mm)(1套)
Adjustable support of straight laser marker
(900mm)(1set)
- 2.NS-6202S-2M 直線鐳射燈 - 紅 (2支)
Straight laser marker – Red (2pcs)



選購件 Options:

1. O-A-03-14 十字鐳射燈自動可調支架(1000mm)(1套)
Automatic adjustable support of cross laser marker
(1000mm)(1set)
- 2.NS-6203C-2M 十字鐳射燈 - 紅(1支)
Cross laser marker - Red (1pc)



選購件 Options:

1. O-A-03-15 一字鐳射燈自動可調支架(1000mm)(1套)
Automatic adjustable support of straight laser marker
(1000mm)(1set)
- 2.NS-6202S-2M 直線鐳射燈 - 紅(2支)
Straight laser marker - Red (2pcs)

