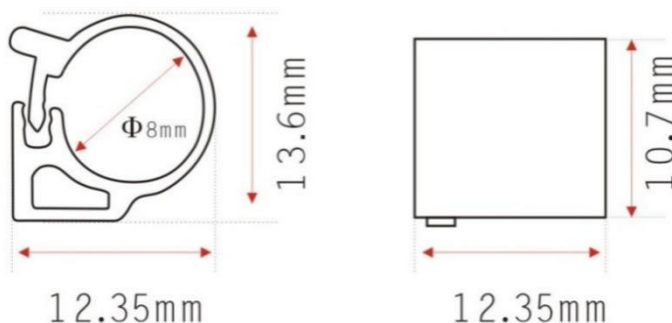


# XY-L040121401S

## Appearance



## Dimensions/mm



## RF Specifications

Item	Description	Remark
Chip	EM4200	
Protocol	ISO11784/11785	
Memory (UID)	16Byte	---
Frequency	125KHz	
IC Life	Only read Data retention of 10 years	

## Physical Specifications

Item	Description	Remark
Product Dimensions	13.6*12.35mm (inner diameter: 8mm)	
Housing Material	PPS	
IP Rating	IP65	
Application temperature	-40~80°C	
Operating temperature	-40~70°C	