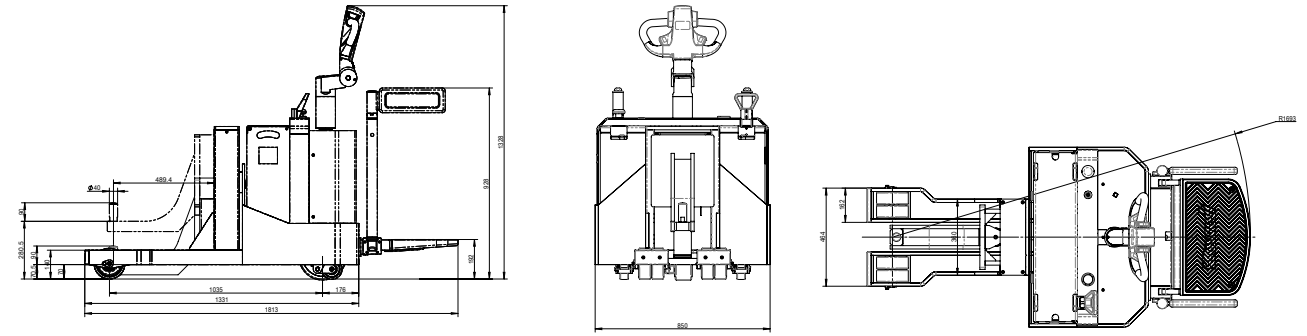


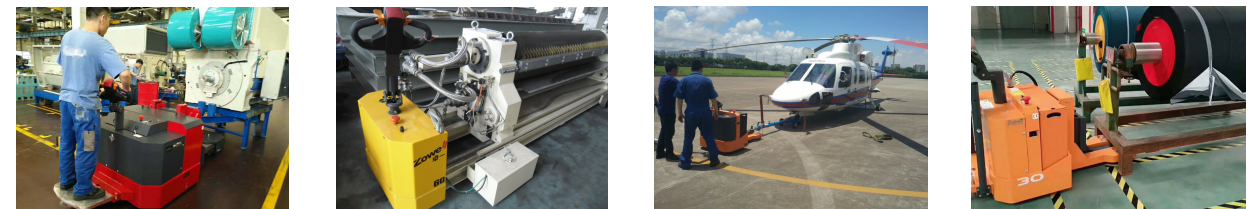
XTB 50



Technical Specification

	Zowell	XTB30	XTB50	XTB60
Lifting height	kg	≤1000	≤2500	≤3000
Traction weight	kg	≤3000	≤5000	≤6000
Weight (without battery)	kg	435	435	586
Front track	mm	302	302	302
Rear track	mm	568	568	568
Overall Height	mm	1400	1400	1400
Lifting height	mm	378	378	378
Overall Length	mm	1331	1331	1431
Length to face of forks	mm	556	556	665
Overall width	mm	850	850	950
Minimum ground clearance	mm	70	70	70
Turning radius	mm	1251.5	1251.5	1380
Travel speed loaded/unloaded	km/h	5.2/6	4.8/5.6	4/5
Lift speed loaded/unloaded	mm/s	40/50	40/50	40/50
Lower speed loaded/unloaded	mm/s	50/40	50/40	50/40
Max gradeability	%	8/15	8/15	5/8
Drive motor rating	kw	1.5	2	2
Lift motor rating	kw	2.2	2.2	2.2
Battery weight	kg	195	195	195
Noise	db(A)	< 70	< 70	< 70

Client Case



Max traction weight is up to 20 ton

Suzhou Pioneer Material Handling Equipment & Technology Co.,Ltd
 Add:588#Zixu Road,Xujiang Industrial Park,Wuzhong District,Suzhou,China
 Tel:0086-512-66511292
 Email:Sales@zowell.com.cn
 Web:www.zowellforklifts.com

