

GPON OLT Optical Transceiver

GPON OLT C+++

Features

- ◆ Single fiber bi-directional data links asymmetric TX 2500Mbps/RX1250Mbps application
- ◆ 1490nm continuous-mode DFB laser transmitter and 1310nm burst-mode APD-TIA receiver
- ◆ Small Form Factor Pluggable package with SC/UPC Connector
- ◆ Single 3.3V power supply
- ◆ Digital diagnostic monitoring interface
- ◆ Low EMI and excellent ESD protection|
- ◆ RoHS6 Compliance
- ◆ LVPECL compatible data input/output interface
- ◆ Class I laser safety standard IEC-60825 compliant
- ◆ LVTTTL fast receiver Signal Detect (SD) indication response
- ◆ LVTTTL transmitter disable control and transmitter laser fault alarm
- ◆ Digital burst RSSI function to monitor the input optical power level



Applications

- ◆ Gigabit Ethernet Passive Optical Networks (GPON)
Gigabit-Capable Passive Optical Networks Class C+++ 60km 17~32dB attenuation range

Standards

- ◆ Complies with SFP Multi-Source Agreement (MSA) SFF-8074i
- ◆ Complies with IEEE 802.3ah
- ◆ Complies with FCC 47 CFR Part 15, Class B
- ◆ Complies with FDA 21 CFR 1040.10 and 1040.11 except for deviations pursuant to Laser Notice No. 50, dated June 24, 2007
- ◆ Complies with SFF-8472
- ◆ Compatible with TR-NWT-000870 4.1 ESD sensitivity classification Class2.
- ◆ Compatible with Telcordia GR-468-CORE

Ordering information

Part. No	Specifications				
	Package	Class	Temperature (°C)	Reach (km)	DDM
YH-G1214-S3360C	SFP	C+++	-5~70	20~60	Y
YH-G1214-S3340C	SFP	C++	-5~70	20~40	Y
YH-G1214-S3320C	SFP	C+	-5~70	20	Y
YH-G1214-S3310C	SFP	B+	-5~70	10	Y

Specification

Absolute Maximum Ratings				
Parameter	Symbol	Min	Max	Unit
Storage Ambient Temperature	T _{STG}	-40	85	°C
Storage Humidity	H _s	5	90	%
Operating Humidity	H _o	5	85	%
Power Supply Voltage	V _{CC}	0	+3.6	V
Receiver Damaged Threshold		+6		dBm

Recommended Operating Conditions						
Parameter	Symbol	Min	Typical	Max	Unit	Notes
Operating Case Temperature	T _c	-5		70	°C	
		-40		85		
Power Supply Voltage	V _{CC}	3.135	3.3	3.465	V	
Supply Current	I _{CC}			500	mA	
Power Consumption	P _w			1.65	W	
Data Rate			2.5		Gbps	

Electrical Characteristics						
Parameter	Symbol	Min	Typical	Max	Unit	Notes
Transmitter Differential Input Voltage		300		2400	mV	
Receiver Differential Output Voltage		500		1200	mV	LVPECL, DC Coupled
Transmit Fault Alarm Voltage	V _{OH}	2.4		V _{CC} +0.3	V	LVTTL

Electrical Characteristics						
Parameter	Symbol	Min	Typical	Max	Unit	Notes
	V_{OL}	0		0.4	V	LVTTL
Transmit Disable Voltage	V_{IH}	2		$V_{CC}+0.3$	V	LVTTL
	V_{IL}	0		0.8	V	LVTTL
Input Differential Impedance		90	100	110	Ω	
Transmit Disable Assert Time	T_{OFF}			10	us	
Loss Of Signal Voltage	V_{OH}	2.4		V_{CC}	V	LVTTL
	V_{OL}	0		0.4	V	LVTTL
Loss Of Signal Assert Time	T_D		500		us	
Loss Of Signal De-assert Time	T_A		500		us	

Optical transmitter Characteristics						
Parameter	Symbol	Min	Typical	Max	Unit	Notes
Launched Power (avg.)	P_{OUT}	+7		+9	dBm	C+++
		+5		+7		C++
		+3		+5		C+
Operating Wavelength Range	λ_C	1480	1490	1500	nm	
Spectral Width (-20dB)	$\Delta\lambda$			1	nm	
Side Mode Suppression Ratio	SMSR	30				
Extinction Ratio	ER	9			dB	PRBS 2 ⁷ -1 @1.25Gbit/s
Transmitter and Dispersion Penalty	TDP			2.3	dB	Transmit on 80km SMF
Optical Output Power after TX Disable	P_{DIS}			-32	dBm	
Output Eye Diagram	Compliant with IEEE 802.3ah					
Transmitter Reflectance				-10	dB	
Optical Receiver Characteristics						
Parameter	Symbol	Min	Typical	Max	Unit	Notes
Wavelength Range	λ_C	1260	1310	1360	nm	
Receiver Sensitivity	SEN	-29		-32	dBm	Note1
Optical Power Input Overload	SAT	-6			dBm	Note1
LOS Assert Level	LOSA	-45			dBm	
LOS Deassert Level	LOSD			-31	dBm	
LOS Hysteresis	HYS	0.5		6	dB	
Receiver Reflectance				-12	dB	

 Note 1: PRBS 2⁷-1@1.25Gbps, transmitter is operating, BER $\leq 1 \times 10^{-10}$

Copy Rights Reserved.

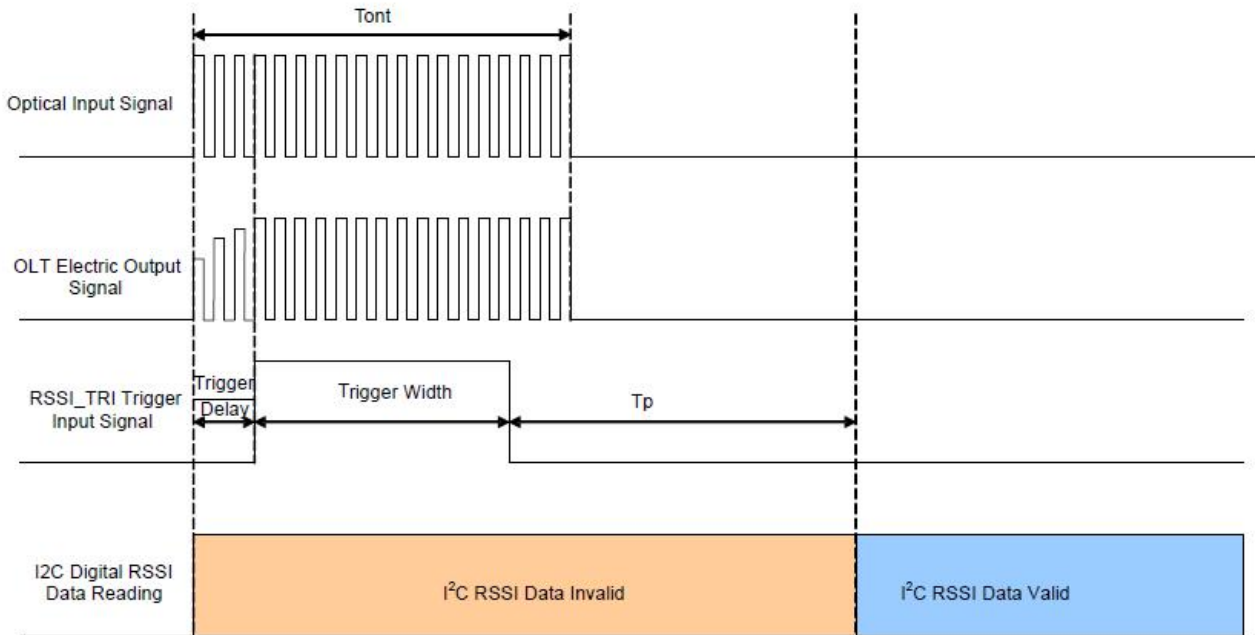


Figure 1 RSSI TIMING SEQUENCE

RSSI Characteristics						
Parameter	Symbol	Min.	Typ.	Max.	Unit	Notes
RSSI Trigger-Low		0		0.8	V	
RSSI Trigger-High		2.0		V _{CC}	V	
RSSI Trigger Delay	T_D	0		3000	ns	
Optical Signal During Time	T_{ONT}	300			ns	
RSSI Trigger width	T_W	300		$T_{ONT} - T_D$	ns	
I2C Access Prohibited Time	T_p			500	μs	

Digital Diagnostic Monitoring Information

Parameter	Accuracy	Calibration	Note
Temperature	±3°C	External	
Voltage	±3%	External	
Bias Current	±10%	External	
TX Power	±3dB	External	
RX Power	±3dB	External	

Note: The digital diagnostic monitoring interface defines 256-byte memory map in EEPROM, which makes use of the 8 bit address 1010001X (A2h). Please refer to the SFF-8472 Rev 10.2 for the detail information.

Pin definition

Pin	Name	Level/Logic	Function	Description
1	NC	NA	NA	Not
2	TX_Fault	LVTTL	TX	Fault
3	TX_Dis	LVTTL	Transmitter	Enable/Disable
4	MOD-DEF2	LVTTL	SDA	I2C
5	MOD-DEF1	LVTTL	SCL	I2C
6	MOD-DEF0	MOD-DEF0	Module	Definition
7	Reset	LVTTL	Receiver	Reset
8	SD	LVTTL	Signal	Detect
9	RSSI	Trigger	RSSI Trigger for Transceiver A/D Conversion	High: enable RSSI A/D conversion
10	GNDR	NA	Ground	Receiver
11	GNDR	NA	Ground	Receiver
12	RD-	LVPECL	RX	Data-
13	RD+	LVPECL	RX	Data+
14	GNDR	NA	Ground	Receiver
15	V	cc	R	NA
16	V	cc	T	NA
17	GNDT	GNDT	Ground	Transmitter
18	TD+	LVPECL	TX	Data+
19	TD-	LVPECL	TX	Data-
20	GNDT	NA	Ground	Transmitter

Typical application Circuit

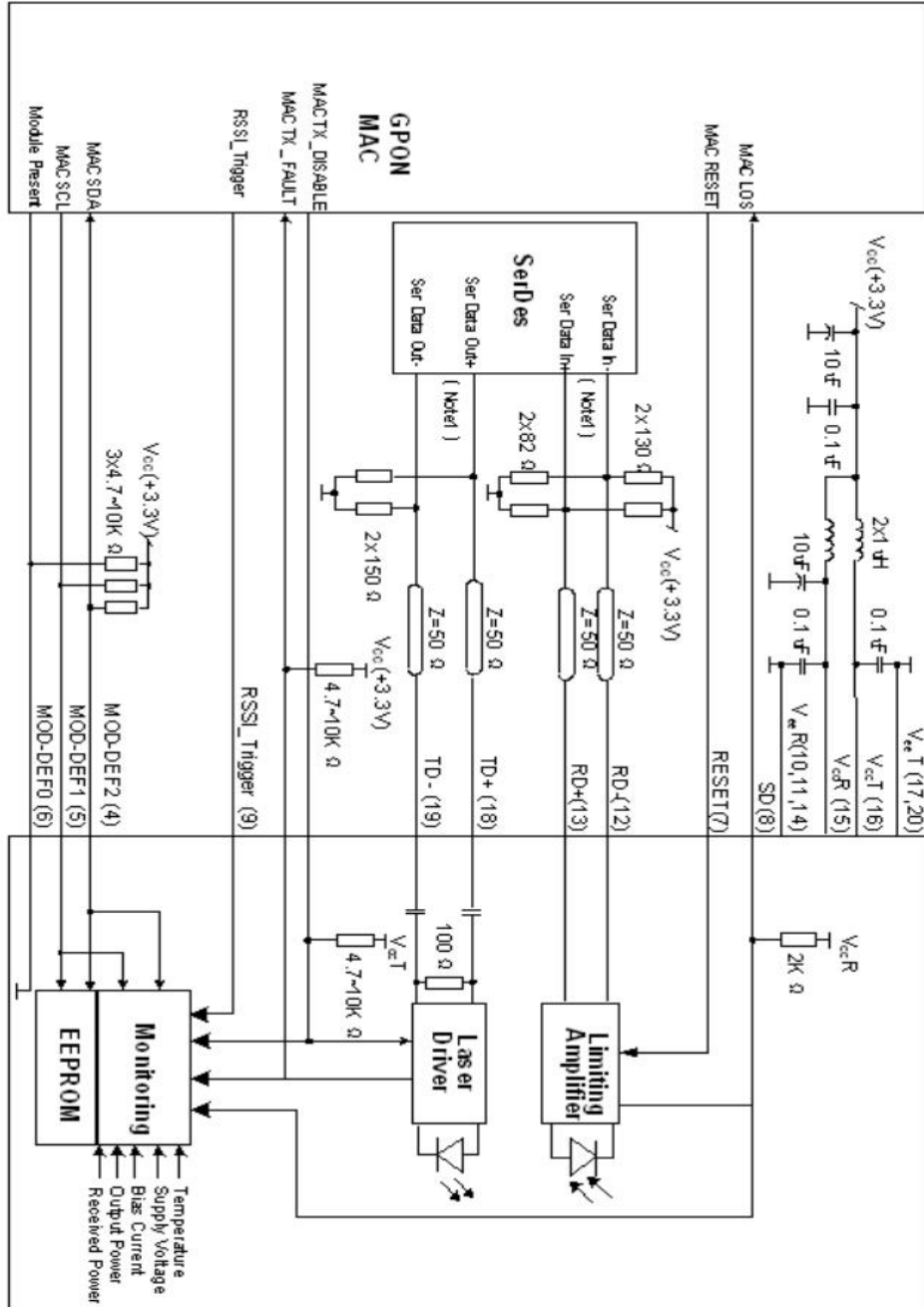


Figure 8 Recommended Interface Circuit

Figure 2 Typical Interface Circuit

EEPROM Memory Map

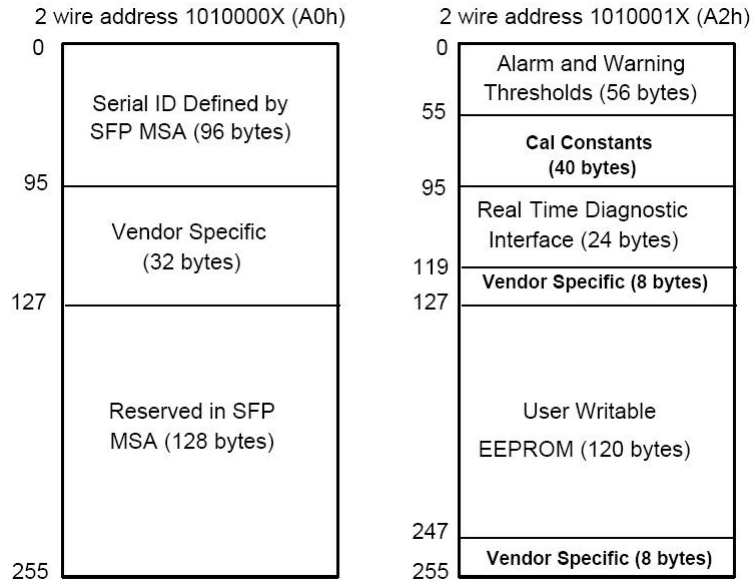


Figure 5 EEPROM Memory Map Specific Data Field Descriptions

EEPROM Serial ID Memory Contents

The optical transceiver contains an EEPROM. It provides access to sophisticated identification information that describes the transceiver’s capabilities, standard interfaces, manufacturer, and other information. When the serial protocol is activated, the host generates the serial clock signal (SCL, Mod Def 1). The positive edge clocks data into those segments of the EEPROM that are not writing protected within the SFP transceiver. The negative edge clocks data from the SFP transceiver. The serial data signal (SDA, Mod Def 2) is bi-directional for serial data transfer. The host uses SDA in conjunction with SCL to mark the start and end of serial protocol activation. The memories are organized as a series of 8-bit data words that can be addressed individually or sequentially.

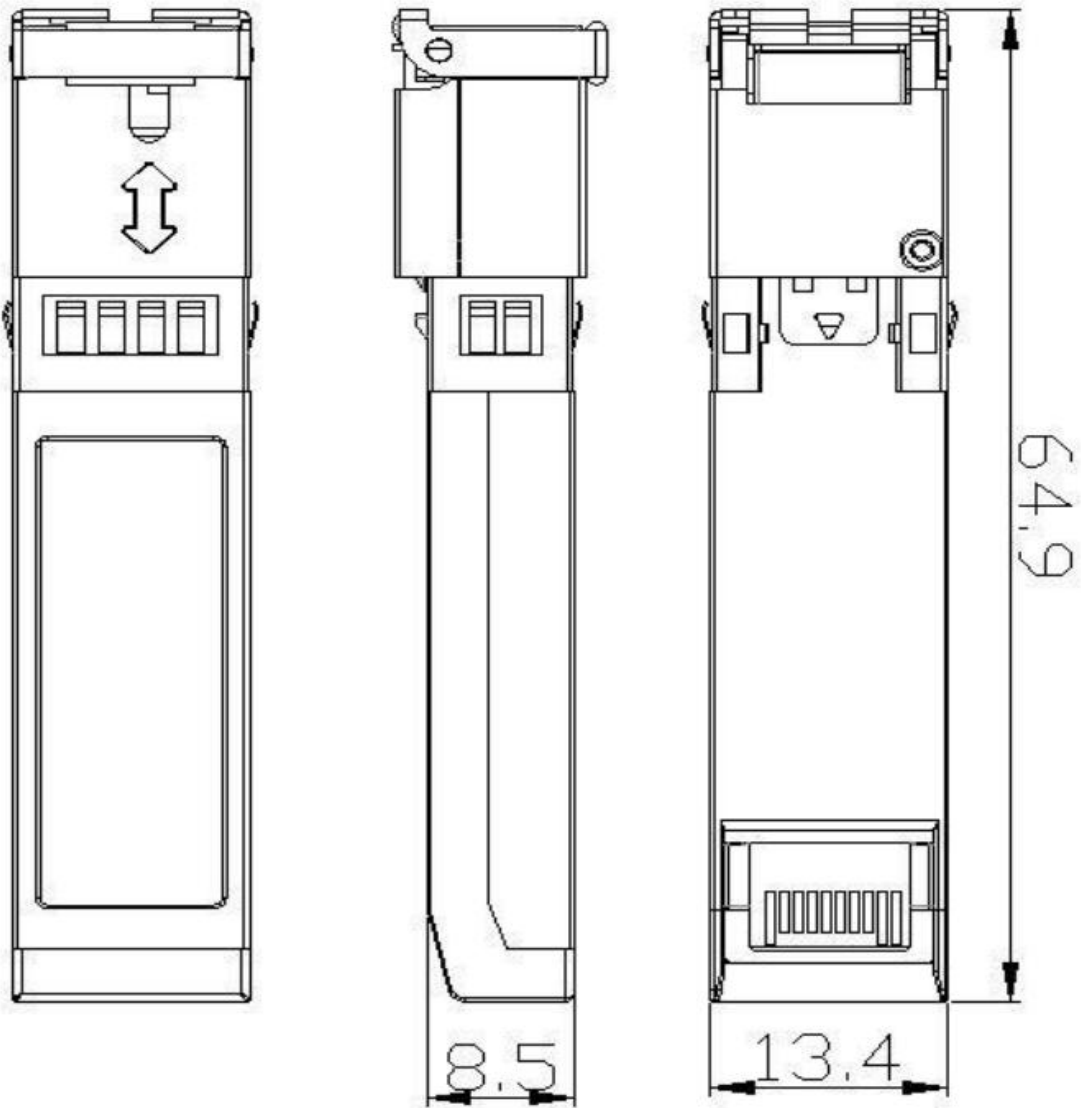
The Module provides diagnostic information about the present operating conditions. The transceiver generates this diagnostic data by digitization of internal analog signals. Calibration and alarm/warning threshold data is written during device manufacture. Received power monitoring, transmitted power monitoring, bias current monitoring, supply voltage monitoring and temperature monitoring all are implemented. The diagnostic data are raw A/D values and must be converted to real world units using calibration constants stored in EEPROM locations 56 – 95 at wire serial bus address A2h. The digital diagnostic memory map specific data fields define as following.

EEPROM Serial ID Memory Contents (2-Wire Address A0h)

Address	Name of field	Hex	Description
BASE ID Fields			
00	Identifier	03	SFP transceiver
01	Ext. Identifier	04	Serial ID module supported for SFP
02	Connector	01	SC
03-05	Transceiver Codes	00 00 00	Not defined
06	Transceiver Codes	80	BASE-PX
07-10	Transceiver Codes	00 00 00	Not defined
11	Encoding	01	8B10B
12	BR, Nominal	0C	
13	Rate Identifier	00	Not defined
14	Length(9um)-km	14	20(km)
15	Length(9um)-m	C8	200(100m)
16	Length(50um)	00	Transceiver transmit distance
17	Length(62.5um)	00	
18	Length(cable)	00	Not support cable
19	Length(OM3)	00	Not support OM3
20-35	Vendor Name	xx xx xx	ASCII character

Address	Name of field	Hex	Description
BASE ID Fields			
36	Reserved	00	Not defined
37-39	Vendor OUI	00 00 00	Not defined
40-55	Vendor P/N	47 54 53 2D 53 45 54 31 31 2D 32 30 44 43(49) 2D 42(43)	GPON-OLT-C+++”(ASCII character)
56-59	Vendor P/N Rev.	41 30 20 20	“A0”(ASCII character)
60-61	Laser Wavelength	05 D2	1490nm
62	Reserved	00	Not defined
63	CC_BASE	xx	Check sum of bytes 0-62
Extended ID Fields			
64-65	Options	00 1A	TX_Disable、TX_Fault and RX_LOS are implemented
66	BR, max	00	Upper bit rate margin,20%
67	BR, min	00	Lower bit rate margin,20%
68-83	Vendor SN	xx.....xx	Vendor Serial Number in ASCII character
84-91	Date Code	Data Code	Vendor Date Code in ASCII character
92	Diagnostic Monitoring Type	58	Digital Diagnostic monitoring implemented “External calibrated ” is implemented, RX measurement type is “Average Power”
93	Enhanced options	E0	Optional Alarm/warning flags, soft Tx_Disable control and monitoring, soft Tx_Fault monitoring are implemented
94	SFF-8472 compliant	03	SFF-8472 compliant with revision 10.2
95	CC-EXT	xx	Check sum of bytes 64-94
Vendor Specific ID Field			
96-127	Vendor Specific	00	Vendor specific EEPROM
128-255	Reserved	00	Reserved for future use

Package Outline



(unit:mm)