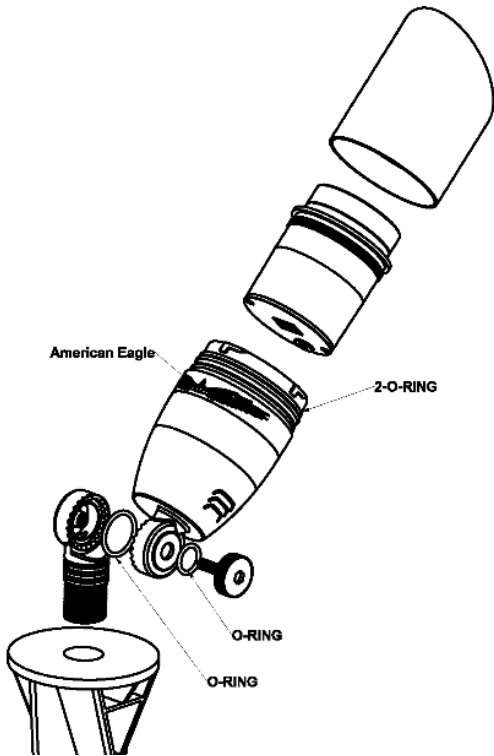
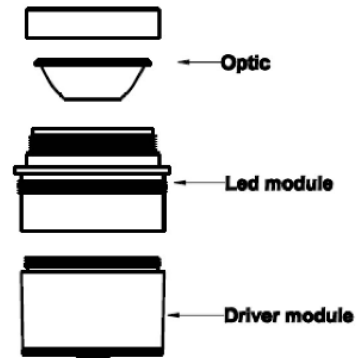


SPECIFICATIONS SHEET FOR THE SL-EG01

SL-EG01 with 15° 25° 40° and 60°



1 PIN UP:	240LM(MIM)
2 PIN UP:	380LM
3 PIN UP:	525LM
4 PIN UP:	675LM
5 PIN UP:	960LM(MAX)



SPECIFICATIONS:

Fixture: Spot Light

Mode: SL-EG01

Beam Spread: 15° 25° 40° 60°

Color Temp.: 2700K/3000K

Type: Low voltage LED

Operating Voltage: 9V - 16V AC/DC

Wire Lead: 10' 18AWG

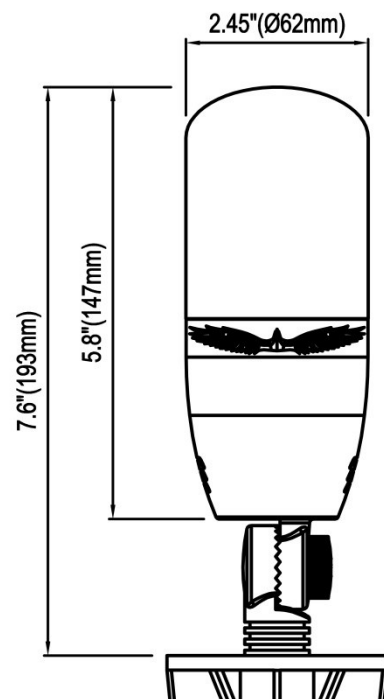
Weight: 5.5LBS

Wattage: 3W(min) - 12W(max)

Lumen Output: 240LM - 900LM

Function Description :

1. SL-EG01 can be used as lighting up and down
2. Dimming is available between 3W and 12W
3. The Angle can be changed by changing the lens
4. The light source and power supply module can be replaced



Structure :

1. The raw copper is used for production
2. The product has four layers of sealing, dustproof and waterproof, which can prevent insects from entering. It can be used for both up and down lighting.
3. Use high transparency high borosilicate glass
4. All electronic drivers comply with US and Canadian electrical codes.

Safety Instructions :

1. Turn power OFF or unplug fixture and allow it to cool before replacing lamp.
2. Lamp gets HOT quickly. Contact only switch/plug when turning on.
3. Do not touch hot lens, guard, or fixture housing until it has cooled.
4. Keep lamp away from combustibles.
5. The inner module is very hot, do not touch it until it cools down
6. Do not operate the fixture fitting with a missing or damaged shield.
7. For outdoor use only.
8. Make sure the power is turned OFF before installing or servicing this fixture.

Installation Instruction :

- 1 . Disconnect the transformer from the main supply
- 2 . Remove the shield from the retaining housing
- 3 . Assemble the internal mold into the lamp and connect it with a connector (if required)
- 4 . Install the cover and rotate the cover on the housing to fix it on the fixture housing to make sure the leak hole is in the middle and down
- 5 . Connect the cable to the main line through the ground plug

WARNING:

Risk of electrical shock. Install all fixture 10 feet (3.05m) or more from a pool,spa,or fountain.

This fixture is to be used with a low voltage power supply that does not exceed 15V.

The copyright of the eagle on the lamp body belongs to Led Story.