

MWL-LSS01 INSTRUCTION MANUAL

Specification:

Model: MWL-LSS01

Type: Low Voltage LED

Color Temp: 2700k/3000k

Operating Voltage: 9-15v AC/DC

Wattage: 3w

Beam Angle: 90°

Wire Lead: 4ft

Lumen: 270LM

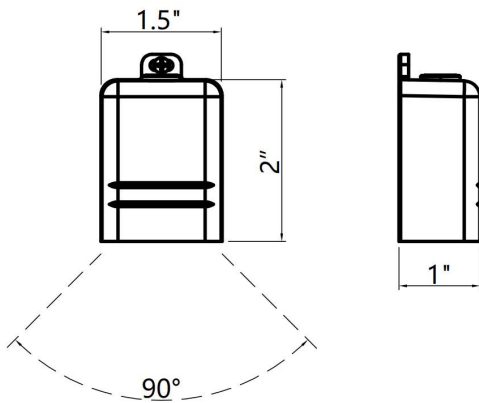
CRI: 80

Efficiency: 80

Weight: 0.17 KGS

Waterproof Grade: IP67

Material: Heavy Duty Cast Brass



Function Description:

1. Beam angle is 90 degrees.
2. Color temperature can be selected.

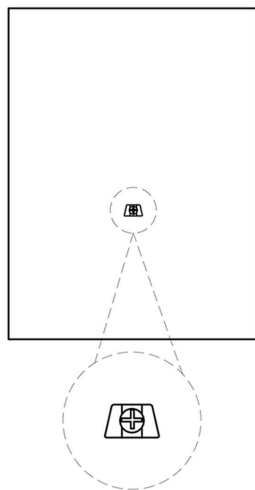
Structure:

1. The raw copper is used for production.
2. Attach with a level gauge to help with installation, the reverse side can print customize logo(as the picture).

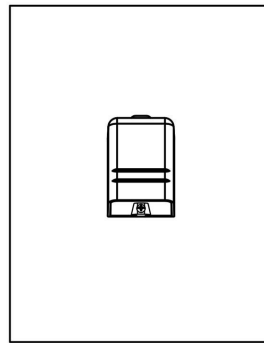


3. 5 years warranty for the whole light, and the whole light can be replaced within the warranty period.

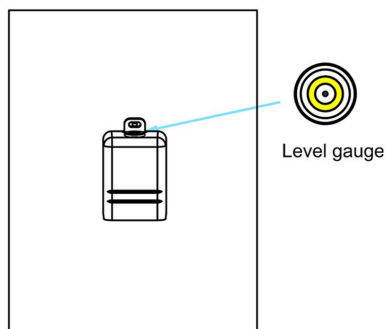
Installation Instruction:



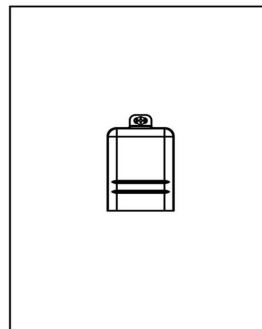
Step 1:
Find a place to punch a hole according to the bottom of the light, install the withcoming snap joint to fix the wall light



Step 2:
Put the wall light to the snap joint



Step 3:
Move the wall light to the level place



Step 4:
Install the last screw to totally fix the wall light

Hot install warning important :

1. Use Hand Tools only do not use power tools on this fixture.
2. System is intended for installation by a qualified Industry professional in accordance with the NEC and local regulations.
3. Place the wall switch in the "OFF" position / Transformer and unplug the transformer from the GFI.
4. Go to the main fuse box, or circuit breaker. Unscrew the fuse(s) or switch "OFF" the circuit breaker switch(es) that control the power to the space that you are working on.
5. Risk of electrical shock. Install all fixture according to NEC and local ordinances and should be ~ 10 feet or more from a pool, spa, water feature or fountain.
6. The Fixture is to be used with a low voltage Toroidal Coil Magnetic Transformer that should fall in the range of 9V to 15V MAX at the fixture.