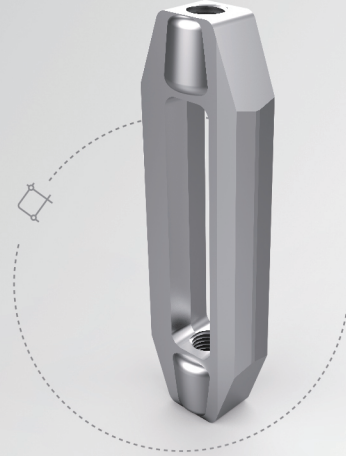


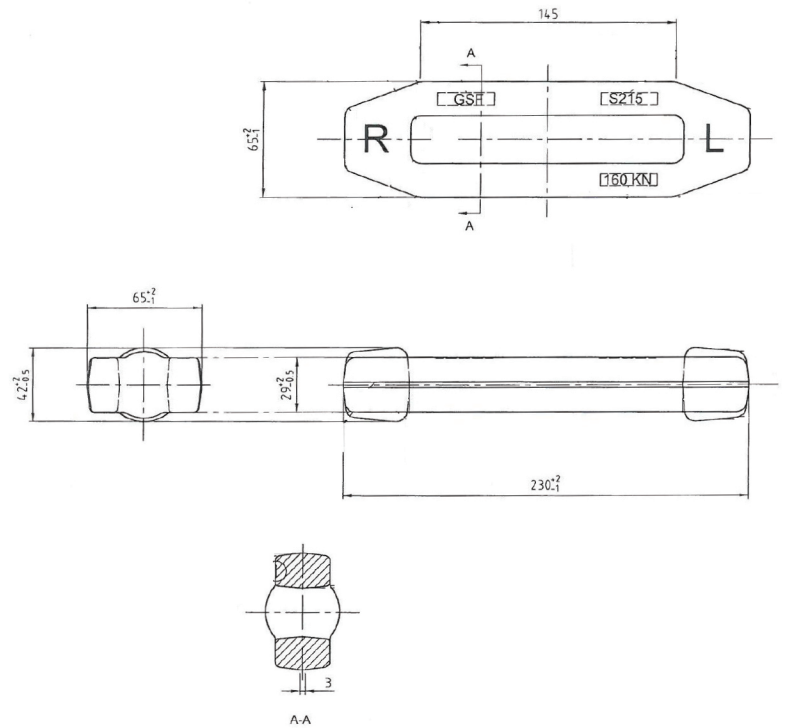


- Galv turnbuckle blank



Application:

Turnbuckles are necessary equipment in marine rigging and architecture industries.



Technical Parameters

Description	Galv Turnbuckle Blank
Part No.	Q.Q.Q.000045
Material	20Mn2
Finish	Galvanized