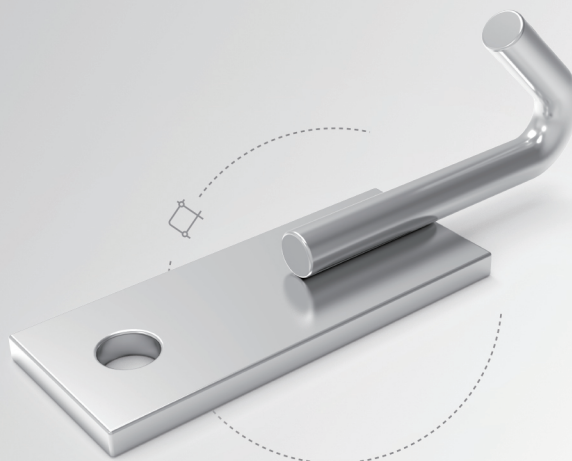


PRODUCT PROFILE

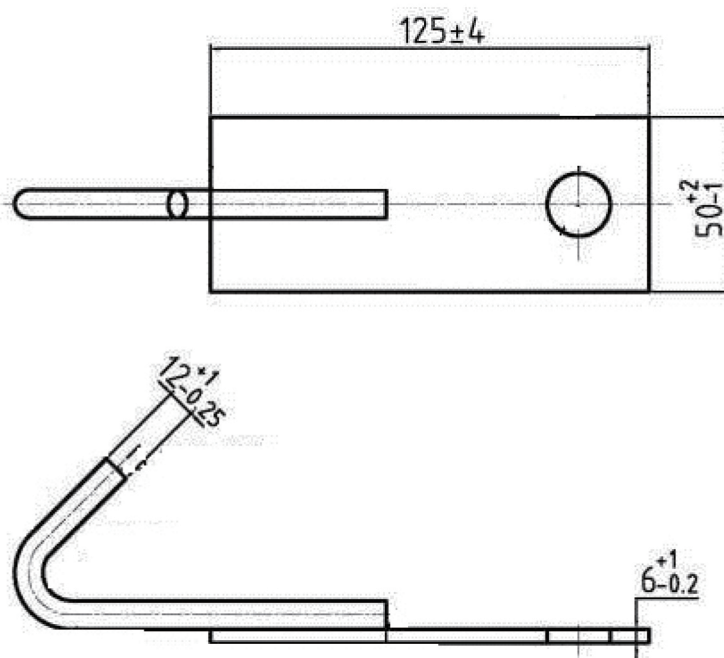


• Hook support



Application:

It allows us to easily manipulate the state of our functional component without needing to convert them into class components.



Technical Parameters

Description	Hook support
Part No.	Q.Q.Q.000297
Material Elongation	Carbon steel
Finish	Galvanized