



ZBRF 中博铁路

KEEP YOUR TRACK ON TRACK! 

TAICANG ZHONGBO

RAILWAY FASTENING



CRANE RAIL FASTENERS



PRODUCT PROFILE



- Clip Bolt with Hex Nut

Application:

Together with hex nut (hex lock nut), it is used for fixing rail clips to base plates at crane rail tracks.

Size:

M16x45

Supply Reference:

- 1) Indonesia
- 2) UK
- 3) China

Material:

Carbon steel or alloy steel to grade 8.8

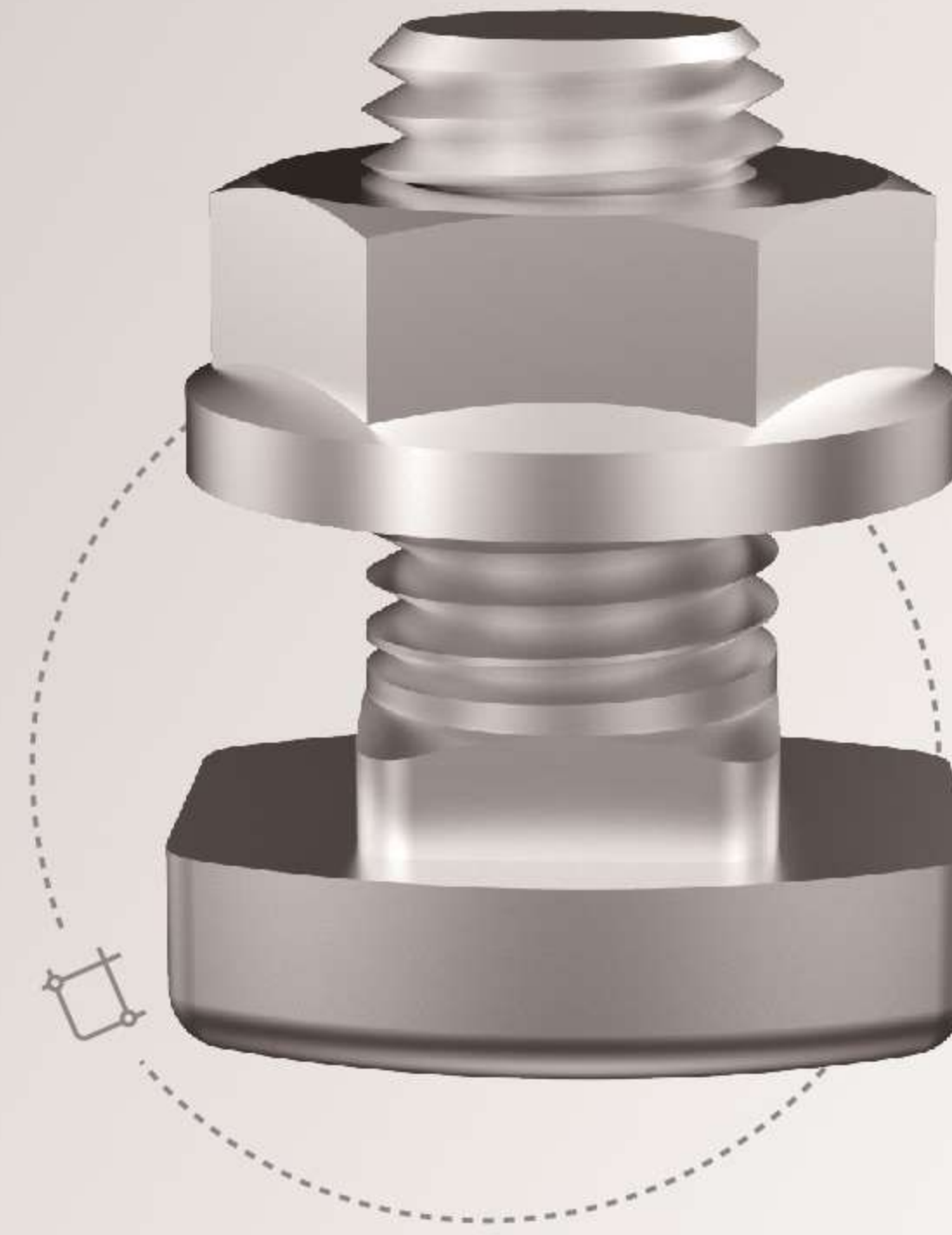
Mark:

Manufacture ID, material grade, manufacture year.

Coating:

Black, Plain, zinc plated, Hot dip galvanized.

Mechanical Properties	Tensile Strength	Yield Strength	Hardness	Elongation	Proof Load
Bolt	≥800MPa	≥640MPa	22-32HRC	≥12%	-
Hex Nut	-	-	233-353HV	-	920MPa
Flat Washer	-	-	295-350HV10	-	-



• Clip Bolt with Hex Flange Nut

Application:

It's used for fixing rail clips to base plate at crane rail track together with hex flange nut.

Size:

M20x37

Supply Reference:

- 1) Indonesia
- 2) UK
- 3) China

Mark:

Manufacture ID, material grade, manufacture year.

Coating:

Black, Plain, zinc plated, Hot dip galvanized.

Material:

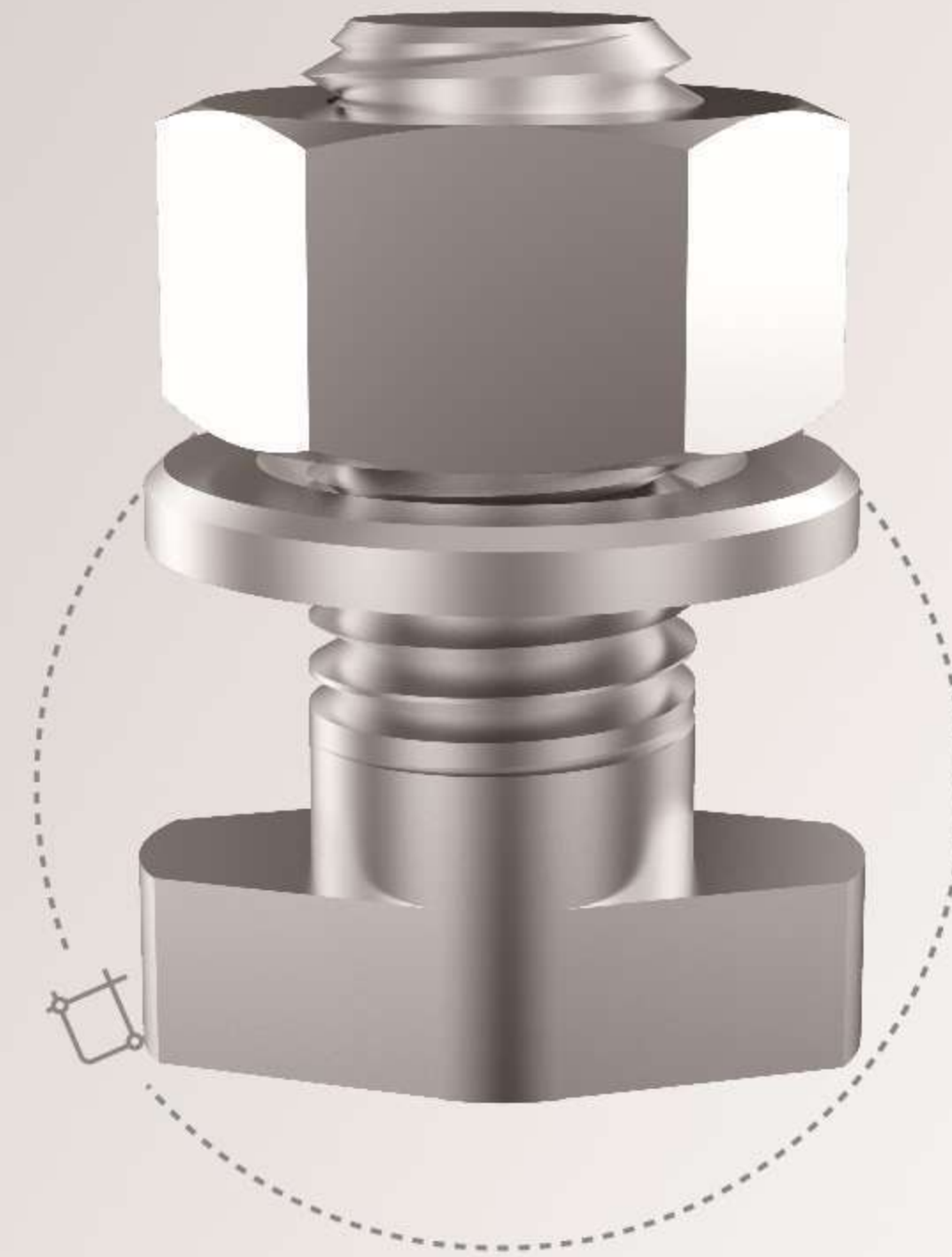
Alloy steel to grade 10.9.

Mechanical Properties	Tensile Strength	Yield Strength	Hardness	Elongation	Proof Load
Bolt	≥1040MPa	≥940MPa	32-39HRC	≥9%	-
Flange Nut	-	-	36HRC MAX	-	1050MPa

PRODUCT PROFILE



- Clip Bolt With Hex Nut And Washer



Application:

It's used for fixing rail clips to base plate at crane rail tracks together with hex nut and washer.

Size:

M20x45

Supply Reference:

- 1) Indonesia
- 2) UK
- 3) China

Material:

Carbon steel to grade 8.8

Mark:

Manufacture ID, material grade, manufacture year.

Coating:

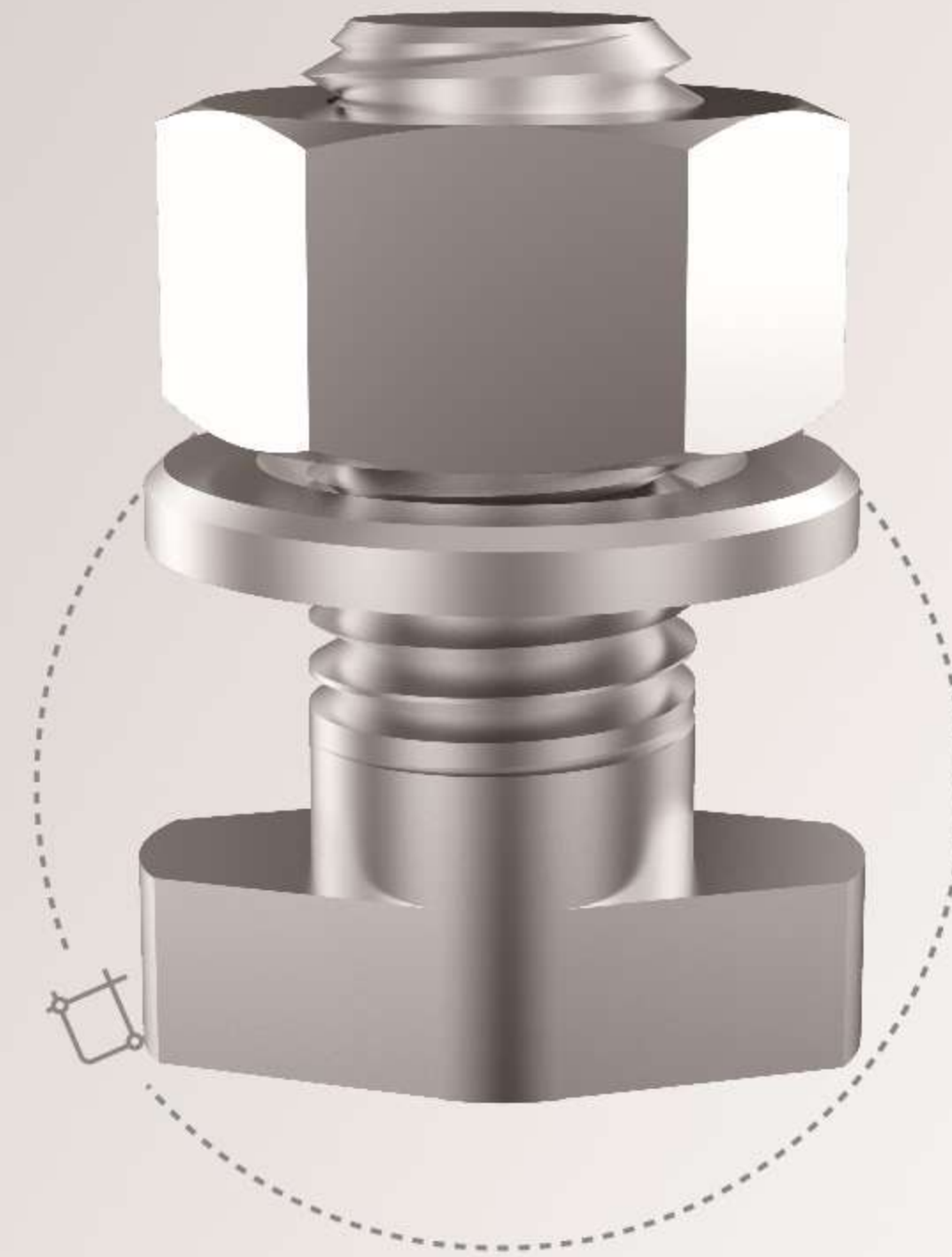
Black, Plain, zinc plated, Hot dip galvanized.

Mechanical Properties	Tensile Strength	Yield Strength	Hardness	Elongation	Proof Load
Bolt	≥800MPa	≥640MPa	22-32HRC	≥12%	-
Hex Nut	-	-	233-353HV	-	920MPa
Flat Washer	-	-	295-350HV10	-	-

PRODUCT PROFILE



- Clip Bolt With Hex Nut And Washer



Application:

It's used for fixing rail clips to base plate at crane rail tracks together with hex nut and washer.

Size:

M20x45

Supply Reference:

- 1) Indonesia
- 2) UK
- 3) China

Material:

Carbon steel to grade 8.8

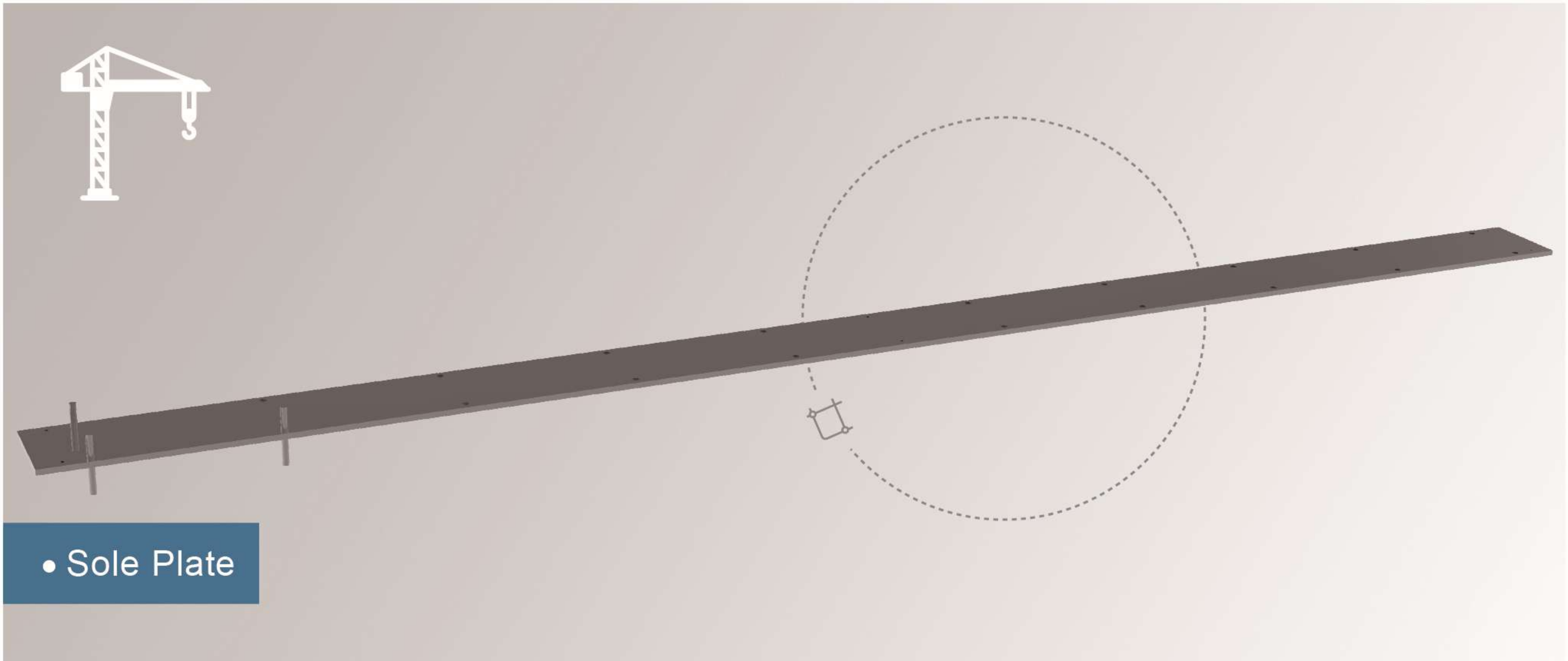
Mark:

Manufacture ID, material grade, manufacture year.

Coating:

Black, Plain, zinc plated, Hot dip galvanized.

Mechanical Properties	Tensile Strength	Yield Strength	Hardness	Elongation	Proof Load
Bolt	≥800MPa	≥640MPa	22-32HRC	≥12%	-
Hex Nut	-	-	233-353HV	-	920MPa
Flat Washer	-	-	295-350HV10	-	-



Application:

Used to install under crane rails at port.

Mark:

Based on the requirements of customer.

Supply Reference:

1) Indonesia

Coating:

Plain, zinc plated, Hot dip galvanized.

Material:

Mild steel

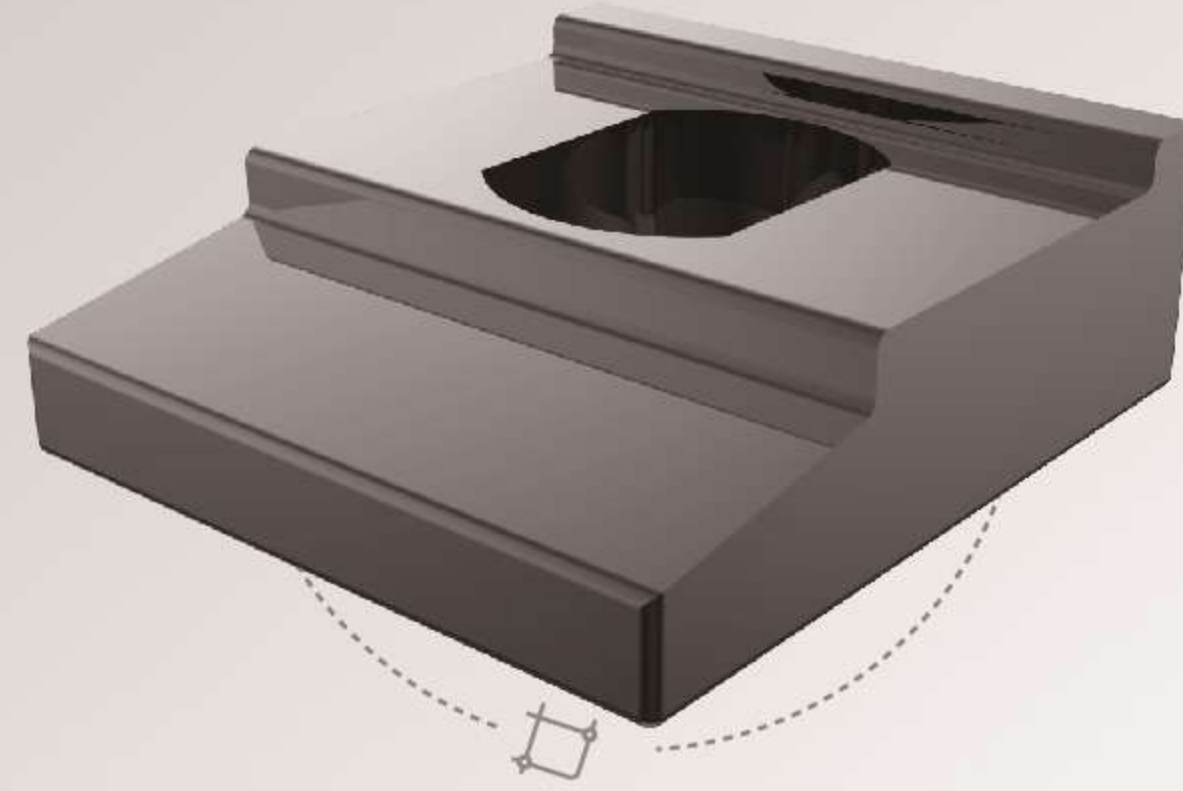
Properties Of Material For Base Plate:

Chemical composition	C	Si	Mn	P	S
	0.14-0.22	0.3 max.	0.3-0.65	0.05 max.	0.05 max.
Mechanical properties	Tensile Strength	Yield Strength	Elongation	Hardness (HB)	
	≥375 Mpa	≥235 Mpa	≥23%	≥120	

PRODUCT PROFILE



• Crane Rail Clip



Application:

Used for fixing crane rail tracks at port and factories.

Size:

No.62, No.114, No.103, No.106, No.120

Supply Reference:

- 1) USA
- 2) Chile

Material:

Mild steel and middle carbon steel normalized

Chemical composition	C ≤0.20%	Si ≤0.35%	Mn ≤1.4%	P ≤0.045%	S ≤0.045%
Mechanical properties	Tensile Strength 370-500	Yield Strength ≥235 Mpa	Hardness (HB) ≥120		

Mark:

Based on the requirements of customer.

Coating:

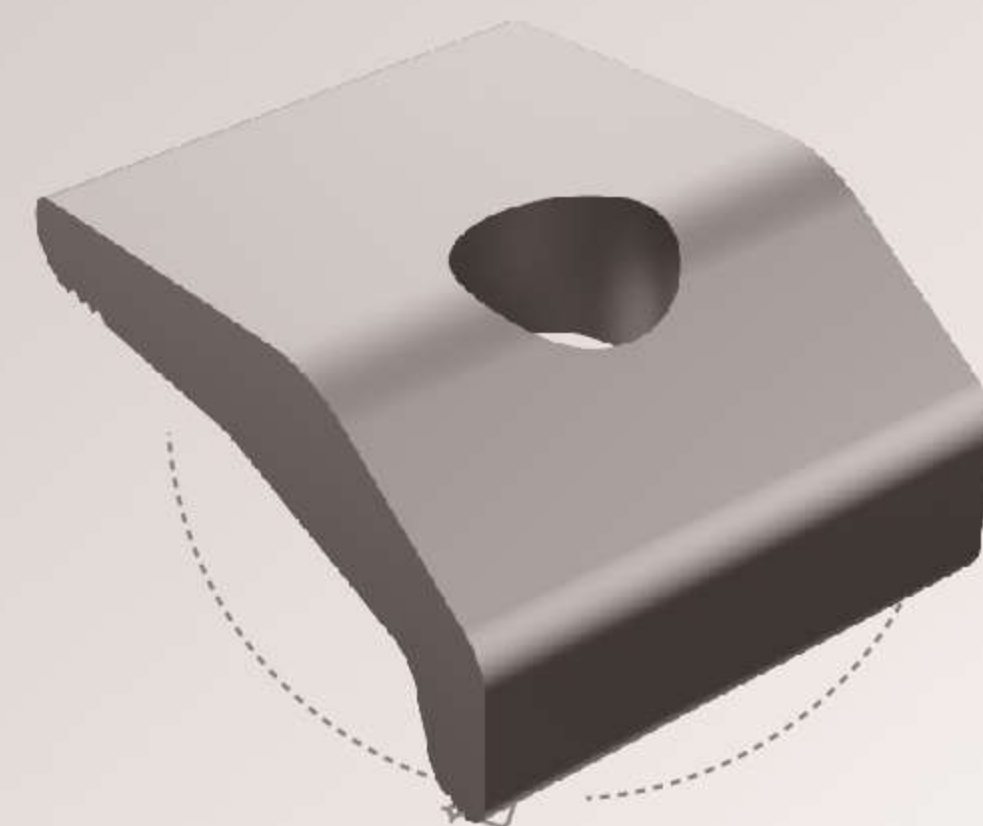
Plain, zinc plated, Hot dip galvanized.

Manufacture Method:

Hot forging



• Clamp Plate



Application:

Used for fixing crane rail tracks at port and factories.

Size:

M10, M12, M16, M12LA, M12LAS

Supply Reference:

- 1) German

Material:

Middle carbon steel normalized

Chemical composition	C 0.42-0.50%	Si 0.17-0.37%	Mn 0.50-0.80%	P ≤0.035%	S 0.05 max.
Mechanical properties	Tensile Strength ≥375 Mpa	Yield Strength ≥235 Mpa	Elongation ≥23%	Hardness (HB) ≥120	

Mark:

Manufacture ID, material grade, manufacture year.

Coating:

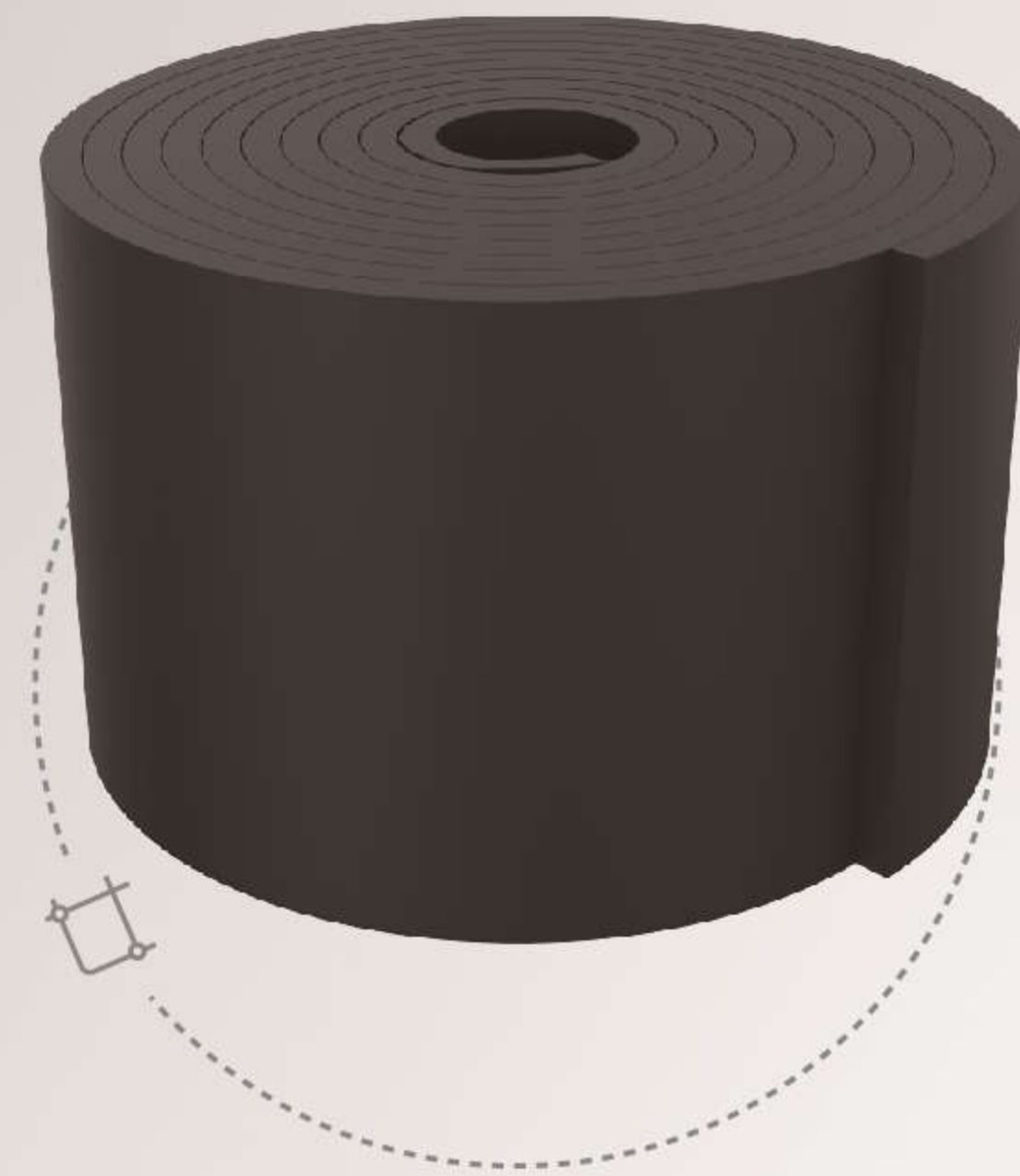
Plain, zinc plated, Hot dip galvanized.

Manufacture Method:

Hot forging



• Rail pad



Application:

Used for different kinds of rail fastening under rail, for absorption vibration and insulating.

Material:

There are rubber, or EVA according to requirements of customer.

Shape And Dimensions:

The shape of rail pad is made according to the requirements of fastening types. Dimension needs to match with design and rail profile.

Technical Specification Of Rubber Pad:

No	Item	Unit	Spec.	Test method
1	Hardness	IRHD	70±5	BS903:Part A26 Method M
2	Electrical Resistivity	ohm cm	≥ 1×10 ⁸	GB/T 1410-2006

Technical Specification Of Rail Pad Of EVA:

No	Item	Unit	Spec.	Test method
1	Density	g/cm ³	0.92-0.952	DIN 53479
2	Hardness	Shore D	32-47	DIN53505
3	Electrical Resistivity	ohm cm	≥ 1×10 ⁸	DIN IEC 60093/DIN IEC60167



ZBRF 中博铁路

KEEP YOUR TRACK ON TRACK! 



TAICANG ZHONGBO RAILWAY FASTENING CO., LTD

Add: No. 88 Taowan Center Road, Shaxi
Industry Park, Taicang, Jiangsu, China
Zip code: 215421
Tel: +86-512-53371081
Fax: +86-512-53371080
E-mail: customerservice@zb-railfastening.com

www.zb-railfastening.com

