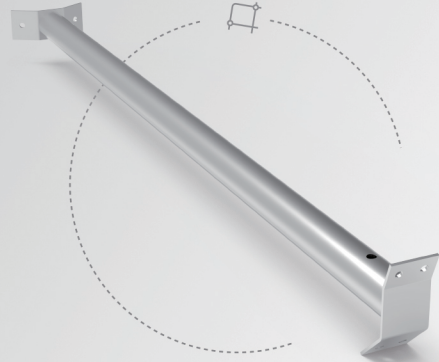


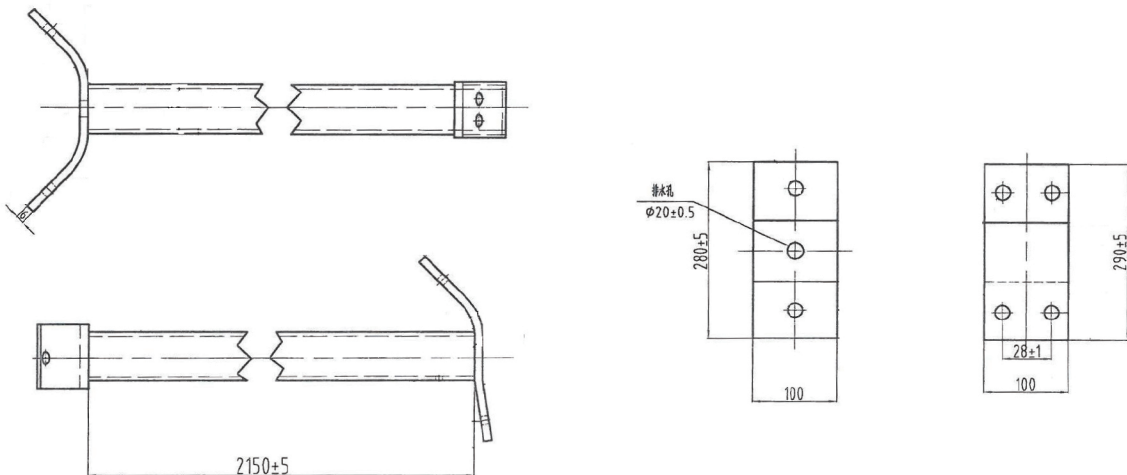


- Galv footpath stay bracket



Application:

widely used in construction, machinery, coal mine, chemical industry, electric power, railway vehicles, automobile industry, highway, bridge, container, sports facilities, agricultural machinery, petroleum machinery, prospecting machinery and other manufacturing industries.



Technical Parameters

| | |
|-------------|----------------------------|
| Description | Galv footpath stay bracket |
| Part No. | D.Q.Q.000015 |
| Material | Carbon steel |
| Finish | Galvanized |