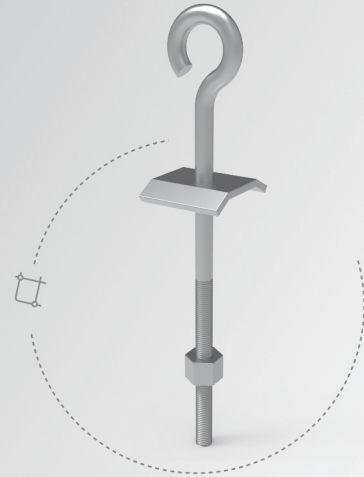


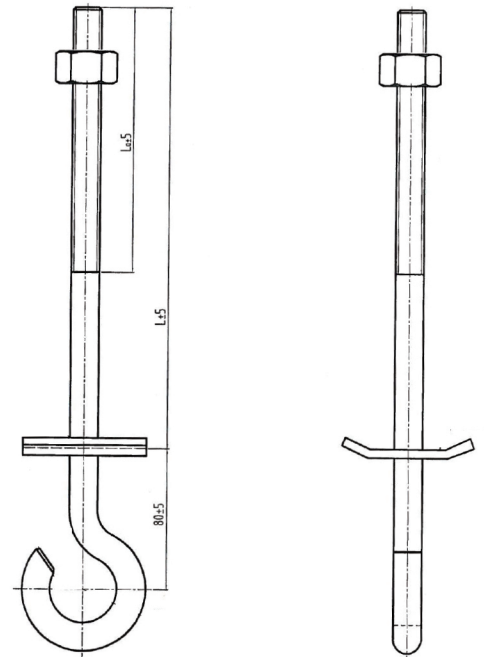


• Galv open eyebolt



**Application:**

For deadending wires and guy strand on cross-arms, poles, or buildings. Used with flat washer and curved flat washer.



**Technical Parameters**

Description	Part No.	Material	Finish
M16X150 Galv open eyebolt	B.X.Q.765924	Q235	HDG
M16X250 Galv open eyebolt	B.X.Q.808960	Q235	HDG
M16X325 Galv open eyebolt	B.X.Q.808963	Q235	HDG
M16X400 Galv open eyebolt	B.X.Q.808964	Q235	HDG
M20X450 Galv open eyebolt	B.X.Q.541965	Q235	HDG