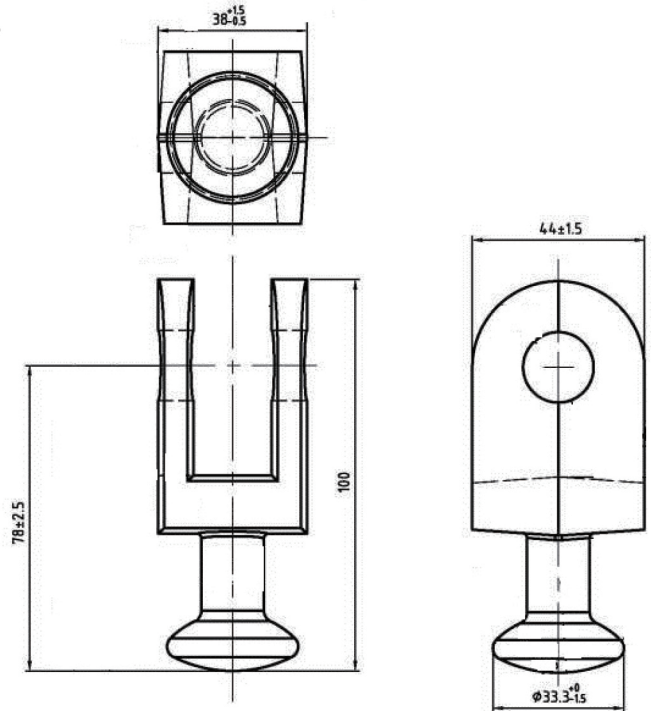


• Forge ball clevis

Application:

Connect the socket insulator or socket tongue by the ball head.



Technical Parameters

Description	Forged Ball Clevis
Part No.	Q.Q.Q.000296
Material Elongation	40Cr
Finish	Galvanized