



Shenzhen Longxc Power Supply Co.,Ltd.

(CUSTOMER) :

# SPECIFICATION

MODEL NO.: LXCP25 SERIES

DOCUMENT NO.: LXC/RD-Spec-127

CUSTOMER NO.:

DATE: 2020-6-30

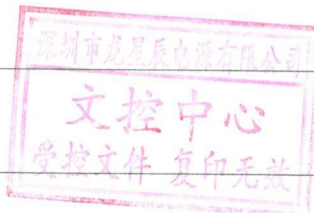
DESCRIPTION: INPUT:100-240VAC 50Hz/60Hz;

OUTPUT:9-36VDC/54W

VERSION: V00

PLEASE RETURN US COPY OF "SPECIFICATION FOR APPROVAL" WITH YOUR APPROVAL SIGNATURES.+

	"√"	CUSTOMER'S SIGNATURE	NOTE
FULL APPROVED			
CONDITIONAL APPROVED			
REJECTED			



ShenZhen longxc power supply co.,ltd

Tel: 0755-27784192 27864721

Fax: 0755-29991201

<http://www.longxc.com>

	Approved by	Checked by	Prepared by
	张永刚	张金成 2020.7.6	尹辉 2020.7.2

20.7.9



 <b>POWER<sup>®</sup> ONG.X.C</b> 深圳市龙星辰电源有限公司 Shenzhen Longxc Power Supply Co., LTD	Rev.	V00	Document NO.	LXC/RD-Spec-170
	Page	3/9	Date	2020/06/30

## CONTENTS NOTE

1.	SCOPE .....	4
1.1	DECRPTION .....	4
2.	MODEL NAME RULE .....	4
3.	INPUT CHARACTERISTICS.....	5
3.1	INPUT VOLTAGE & FREQUENCY .....	5
3.2	INPUT CURRENT .....	5
3.3	INRUSH CURRENT .....	5
3.4	STATIC LOSS.....	5
3.5	EFFICIENCY.....	5
4.	OUTPUT CHARACTERISTICS.....	5
5.	ENVIRONMENTAL REQUIREMENTS.....	6
5.1	OPERATING CONDITION .....	6
5.2	STORAGE CONDITION .....	6
5.3	COOLING METHOD.....	6
5.4	ALTITUDE .....	6
6.	ELECTROMAGNETIC COMPATIBILITY .....	6
7.	MTBF.....	7
8.	MECHANICAL .....	7
8.1	CONNECTOR TYPE .....	7
8.2	WEIGHT .....	7
9.	SAFETY .....	7
9.1	SAFETY STANDARD .....	7
9.2	DIELECTRIC WITHSTAND VOLTAGE .....	7
9.3	LEAKAGE CURRENT .....	7
10.	OUTLINE AND LABEL ARTWORK(UNIT: mm) .....	8
11.	DC PLUG FIGURE .....	8
12.	NAMEPLATE (UNIT: mm).....	8
13.	NOTICE.....	9
14.	PACKING REQUIREMENT (UNIT: mm).....	9

 <b>深圳市龙星辰电源有限公司</b> <b>Shenzhen Longxc Power Supply Co., LTD</b>	Rev.	V00	Document NO.	LXC/RD-Spec-170
	Page	4/9	Date	2020/06/30

Specification/ **LXCP25 SERIES**

## 1. SCOPE

### 1.1 DESCRIPTION

This document introduces the electrical, mechanical and environmental specifications of a switching power supply.

## 2. MODEL NAME RULE

LXCP25-aaabc:

-LXCP= Longxc medical adapter

-25=Name of the series

- aaa= "090" - "360" stands for the output voltage. "090"means 9.0V, "126"means12.6V, "138"means 13.8V, "168"means 16.8V, "210"means 21.0V, "252"means 25.2V, "280"means 28.0V, "294"means 29.4V, "336"means33.6V, "360"means 36.0V,

-b= "A" or "B", stands for the input plug type. "A" means these models equipped with 3-pin AC inlet, "B" means these models equipped with 3-pin AC inlet.

-c= "E" or "F", stands for the output Electrical connection type. "E" means output negative line not connected to PE-line, "F" means output negative line connected to PE-line.

Model number	Rated output voltage(V)	Rated output current(A)	Rated output power(W)
LXCP25-090AE	9.0	0~2.50	22.5
LXCP25-090AF			
LXCP25-090BE			
LXCP25-126AE	12.6	0~2.50	31.5
LXCP25-126AF			
LXCP25-126BE			
LXCP25-138AE	13.8	0~2.50	34.5
LXCP25-138AF			
LXCP25-138BE			
LXCP25-168AE	16.8	0~2.50	42.0
LXCP25-168AF			
LXCP25-168BE			
LXCP25-210AE	21.0	0~2.00	42.0
LXCP25-210AF			
LXCP25-210BE			
LXCP25-252AE	25.2	0~2.00	50.4
LXCP25-252AF			
LXCP25-252BE			
LXCP25-280AE	28.0	0~2.00	56.0
LXCP25-280BF			
LXCP25-280BE			
LXCP25-294AE	29.4	0~2.00	58.8
LXCP25-294AF			
LXCP25-294BE			
LXCP25-336AE	33.6	0~1.50	50.4
LXCP25-336AF			
LXCP25-336BE			

 <b>POWER<sup>®</sup> ONG.X.C</b> 深圳市龙星辰电源有限公司 Shenzhen Longxc Power Supply Co., LTD	Rev.	V00	Document NO.	LXC/RD-Spec-170
	Specification/ <b>LXCP25 SERIES</b>	Page	5/9	Date

LXCP25-360AE	36.0	0~1.50	54.0
LXCP25-360BF			
LXCP25-360BE			

### 3. INPUT CHARACTERISTICS

#### 3.1 INPUT VOLTAGE & FREQUENCY

	Minimum	Nominal	Maximum
Input Voltage	85Vac	100-240Vac	264Vac
Input Frequency	47Hz	50Hz/60Hz	63Hz

#### 3.2 INPUT CURRENT

The maximum input current is max 1.5A at 240Vac .

#### 3.3 INRUSH CURRENT

The inrush current will not exceed 50A at 264Vac input for a cold start at 25°C.

#### 3.4 STATIC LOSS

The static loss is less than 0.5W at normal input voltage.

#### 3.5 EFFICIENCY

The efficiency (watts out / watts in) shall be higher than 82% Typically while measuring at nominal line and maximum load, test in 1 minute after power on.

### 4. OUTPUT CHARACTERISTICS

Item	Model number	OUTPUT CHARACTERISTICS				notes
	LXCP25 series	Rated output voltage(V)	Output voltage range(V)	Rated output current(A)	Rated output power(W)	
Model number	LXCP25-090	9.0	6.00~9.00	2.50	22.5	
	LXCP25-120	12.6	9.00~12.60	2.50	31.5	
	LXCP25-138	13.8	10.00~13.80	2.50	34.5	
	LXCP25-168	16.8	12.00~16.80	2.50	42.0	
	LXCP25-210	21.0	15.00~21.00	2.00	42.0	
	LXCP25-252	25.2	18.00~25.20	2.00	50.4	
	LXCP25-280	28.0	20.00~28.00	2.00	56.0	
	LXCP25-294	29.4	21.00~29.40	2.00	58.8	
	LXCP25-336	33.6	24.00~33.60	1.50	50.4	
	LXCP25-360	36.0	25.00~36.00	1.50	54.0	
load regulation	±2%					
voltage regulation	±2%					
overshoot	≤5%					
Hold up time	≥10 mS					
Efficiency	≥82% (Typ)					
Over current protection(A)	110-150%%Iout					

 <b>POWER<sup>®</sup> ONG.X.C</b> 深圳市龙星辰电源有限公司 Shenzhen Longxc Power Supply Co., LTD	Rev.	V00	Document NO.	LXC/RD-Spec-170
	Specification/ <b>LXCP25 SERIES</b>	Page	6/9	Date

Ripple and noise	≤200mV (measured by 20MHz bandwidth oscilloscope and terminated each output with a 0.1uF ceramic capacitor and a10uF aluminum electrolytic capacitor)	
Over temperature protection	The power supply shall go into stop mode when the IC's temperature is over its trigger point and when IC temperature is lower than regulation value, the power supply shall be self-recovering.	
Short circuit protection	The power supply shall withstand continuous current of short circuit on output any damage. When the fault condition is removed, the power supply shall be self-recovering.	

## 5. ENVIRONMENTAL REQUIREMENTS

### 5.1 OPERATING CONDITION

The power supply shall be compliant with each item in this specification for the following environmental conditions.

Ambient Temperature	-10℃~40℃
Relative Humidity	20%~90%

### 5.2 STORAGE CONDITION

Ambient Temperature	-20℃~80℃
Relative Humidity	20%~90%

### 5.3 COOLING METHOD


Free air convection

### 5.4 ALTITUDE

Less than 5000m

## 6. ELECTROMAGNETIC COMPATIBILITY

Number	Item	Specifications	class	standards
1	CE	CLASS B	/	IEC/EN60601-1-2; YY0505 GB4824; EN55011; FCC Part 18
2	RE	CLASS B	/	IEC/EN60601-1-2; YY0505 GB4824; EN55011; FCC Part 18
3	SURGE	Line to line±1KV	A	IEC/EN60601-1-2; YY0505
		Line to GND±2KV	A	IEC/EN61000-4-5; GB17626.5
4	ESD	air discharge±15KV	A	IEC/EN60601-1-2; YY0505
		Contact discharge±8KV	A	IEC/EN61000-4-2; GB17626.2
5	EFT/B	±2KV (BURST FREQUENCY=100KHZ)	A	IEC/EN60601-1-2; YY0505
6	DIP	Dropped to 0%Ut, last 5000ms(250cycle)	B	IEC/EN60601-1-2; YY0505 IEC/EN61000-4-11; GB17626.11
		Dropped to 30%Ut, last 500ms(25 cycle)	B	
		Dropped to 0%Ut, last 20ms(1 cycle)	B	
		Dropped to 0%Ut, last 10ms(0.5 cycle)	A	
7	RS	Test frequency: 80MHz~2700MHz; field intensity: 10V/m; Amplitude modulation: 80%AM(1KHz)	A	IEC/EN60601-1-2; YY0505 IEC/EN61000-4-3; GB17626.3
8	CS	Test frequency: 0.15MHz~80MHz; field intensity: 6V; Amplitude modulation: 80%AM(1KHz)	A	IEC/EN60601-1-2; YY0505 IEC/EN61000-4-6; GB17626.6

 <b>深圳市龙星辰电源有限公司</b> <b>Shenzhen Longxc Power Supply Co., LTD</b>	Rev.	V00	Document NO.	LXC/RD-Spec-170	
	Specification/ <b>LXCPC25 SERIES</b>		Page	7/9	Date

9	THD	CLASS A (in system)	/	IEC/EN60601-1-2; YY0505 IEC/EN61000-3-2; GB17625.1
10	Voltage Fluctuation and Flicker	Pst≤1.0;Plt≤0.65;Relative steady-state voltage variation dc under3.3%;Maximum relative voltage variation (dmax) under4%	/	IEC/EN60601-1-2; YY0505 IEC/EN61000-3-3; GB17625.2
11	Power Frequency Magnetic Field	30A/m	A	IEC/EN60601-1-2; YY0505 IEC/EN61000-4-8; GB17626.8

Note:

Performance criterion A: Normal performance within limits in this specification.

Performance criterion B: Temporary loss of some functions or degradation of performance. The recovering performance of which without operator intervention.

Performance criterion C: Temporary loss of function or degradation of performance .The recovering performance of which requires operator intervention.

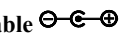
Performance criterion D: Loss of function or degradation of performance which is not recoverable .Owing to damage of hardware , software, or loss of data.

## 7. MTBF

The power supply shall have a minimum predicted MTBF(MIL-STD-217F)of 100000 hours at normal operation condition and normal use.

## 8. MECHANICAL

### 8.1 CONNECTOR TYPE

AC INPUT	CE PLUG
DC OUTPUT	DC Cable 

### 8.2 WEIGHT

The weight of the power supply shall be about 245g.

## 9. SAFETY

### 9.1 SAFETY STANDARD

The power supply is designed for indoor use to meet ICE 60601-1 and EN 60601-1 standards, and design for the following safety regulations.

	ITEM	COUNTRY	STANDARD
<input type="checkbox"/>	UL	USA	UL 60950-1/UL 60601-1
<input checked="" type="checkbox"/>	CE	EUROPE	EN 60950/IEC61000/CISPR 22
<input type="checkbox"/>	TUV	GERMANY	IEC 60601-1
<input type="checkbox"/>	NRTL	CUSA	IEC 60601-1/UL 60601-1
<input type="checkbox"/>	GS	GERMANY	EN 60601-1
<input type="checkbox"/>	BS	ENGLAND	EN 60601-1
<input type="checkbox"/>	FCC	USA	Part 15 Subpart B Class B
<input type="checkbox"/>	CCC	CHINA	GB 4943/GB 9254/BG 17625

### 9.2 DIELECTRIC WITHSTAND VOLTAGE

Primary to Secondary: 4KVac 5mA for 60 seconds

### 9.3 LEAKAGE CURRENT

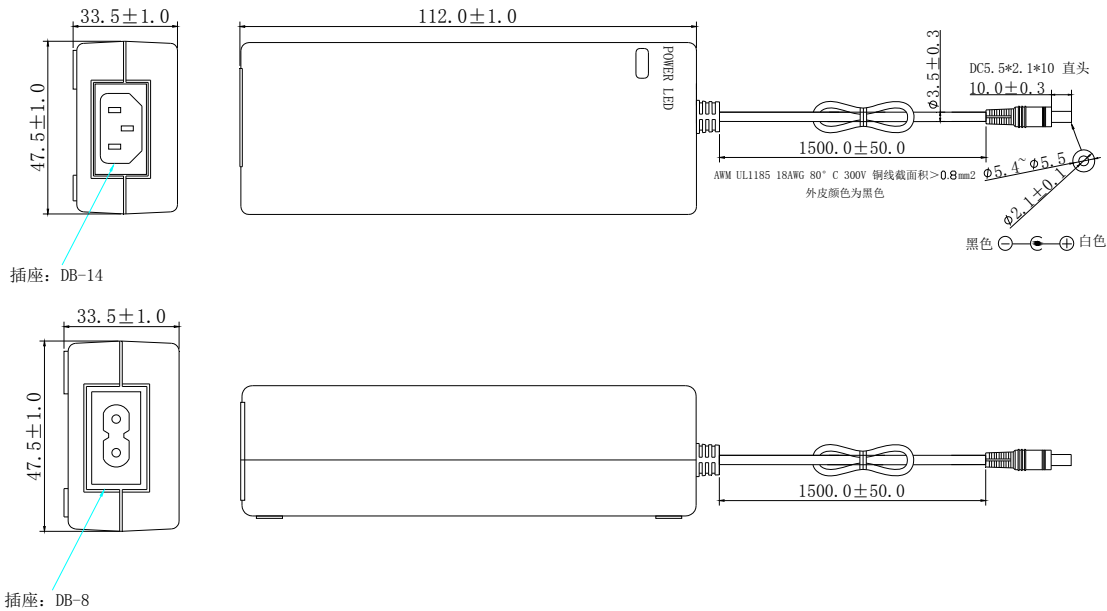
 <b>深圳市龙星辰电源有限公司</b> <b>Shenzhen Longxc Power Supply Co., LTD</b>	Rev.	V00	Document NO.	LXC/RD-Spec-170
	Specification/ <b>LXCP25 SERIES</b>	Page	8/9	Date

According to the class II with Leakage current less than 100uA.

### 10. OUTLINE AND LABEL ARTWORK(UNIT: mm)



L\*W\*H=112.0\*47.5\*33.5mm



### 11. DC PLUG FIGURE(Detail information selection from file of LXC\_Dcline\_Library.xls)

Optional input plug:

The AC input line shall be required for VDE or UL certification.



### 12. NAMEPLATE (UNIT: mm)





 <b>深圳市龙星辰电源有限公司</b> <b>Shenzhen Longxc Power Supply Co., LTD</b>	Rev.	V00	Document NO.	LXC/RD-Spec-170
	Specification/ <b>LXCP25 SERIES</b>	Page	9/9	Date

**Symbol explanation on nameplate:**



: Direct current;



: The outside is negative ;



: RoHS mark



: Class II equipment, earth-free



: In-door use only



: Two-dimensional code



: CE mark



: Environment protection- waste electrical products should not be disposed of with household waste. Please follow local guidelines

**13. NOTICE**

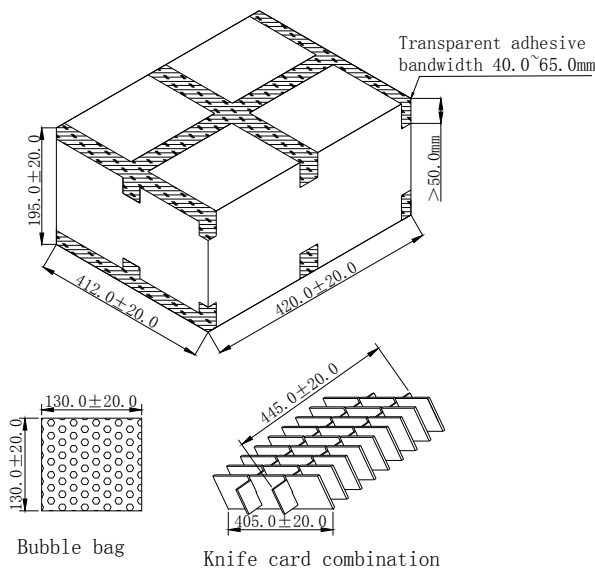
- The power supply shall be transported by cars, boats or aircraft and it should be pay attention to sun,moisture and handing in transit.
- At the termination of the products use the power supply should be needed reasonable processing according to the requirements of the local government.

**14. PACKING REQUIREMENT (UNIT: mm)**

- Each power adapter is packed in a bubble bag
- Packing Q'ty 60pcs/CTN (Size: 420.0\*412.0\*195.0mm)
- weigh about 14Kg
- Outline just for reference

The cartons: 420.0×412.0×195.0mm  
 30 sets/floor ×2=60 sets/box  
 Weight: about 14kg/box

Box screen printing:



**深圳市龙星辰电源有限公司**  
 Shenzhen LongXC Power Supply Co.,LTD.  
 Add:深圳市宝安区石岩街道应人石文韬科技园B栋4-5层  
 4-5/F,B Building, Yingrenshi Community, Wentao Science Park,  
 Shiyao Town, Bao'an, Shenzhen, China  
 Tel: 0755-27784192 27864721  
 Fax: 0755-29991201  
 Web: <http://www.longxc.com>

