



Shenzhen Longxc Power Supply Co.,Ltd.

(CUSTOMER) :

SPECIFICATION

MODEL NO.: LXCP52/LXCP52(II)SERIES

DOCUMENT NO.: LXC/RD-Spec-065

CUSTOMER NO.:

DATE: 2020.08.05

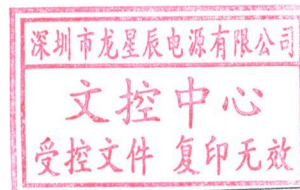
DESCRIPTION: 100-240VAC/50Hz/60Hz/5.0-48.0VDC/0-52.8W

VERSION: V00


PLEASE RETURN US COPY OF "SPECIFICATION FOR APPROVAL" WITH YOUR APPROVAL SIGNATURES.

	"√"	CUSTOMER'S SIGNATURE	NOTE
FULL APPROVED			
CONDITIONAL APPROVED			
REJECTED			

ShenZhen longxc power supply co.,ltd
 Tel: 0755-27784192 27864721
 Fax: 0755-29991201
<http://www.longxc.com>



	Approved by	Checked by	Prepared by
	张永高 21.2.24	李洪华 2021.2.22	尹辉 2021.2.22

	深圳市龙星辰电源有限公司 Shenzhen Longxc Power Supply Co.,LTD	Rev.	V00	Document NO.	LXC/RD-Spec-065
Specification/ LXCP52 /LXCP52(II)SERIES		Page	3/9	Date	2020/08/05

CONTENTS NOTE

1	SCOPE	4
1.1	DECRPTION	4
2	MODEL NAME RULE.....	4
3	INPUT CHARACTERISTICS.....	4
3.1	INPUT VOLTAGE & FREQUENCY	4
3.2	INPUT CURRENT.....	4
3.3	INRUSH CURRENT	4
3.4	STATIC LOSS	4
3.5	EFFICIENCY	4
4	OUTPUT CHARACTERISTICS	4
5	ENVIRONMENTAL REQUIREMENTS	5
5.1	OPERATING CONDITION.....	5
5.2	STORAGE CONDITION.....	5
5.3	COOLING METHOD	6
5.4	ALTITUDE.....	6
6	ELECTROMAGNETIC COMPATIBILITY	6
7	MTBF.....	7
8	MECHANICAL	7
8.1	CONNECTOR TYPE.....	7
8.2	WEIGHT	7
9	SAFETY.....	7
9.1	SAFETY STANDARD.....	7
9.2	DIELECTRIC WITHSTAND VOLTAGE	8
9.3	LEAKAGE CURRENT.....	8
10	OUTLINE AND LABEL ARTWORK(UNIT:mm).....	8
11	DC PLUG FIGURE.....	8
12	NAMEPLATE	8
13	LNOTICE.....	9
14	PACKING REQUIREMENT (UNIT:mm).....	9

 深圳市龙星辰电源有限公司 Shenzhen Longxc Power Supply Co.,LTD	Rev.	V00	Document NO.	LXC/RD-Spec-065
	Specification/ LXCP52 /LXCP52(II)SERIES	Page	4/9	Date

1 SCOPE

1.1 DECRPTION

This document introduces the electrical, mechanical and environmental specifications of a switching power supply.

2 MODEL NAME RULE

LXCP52-aaa:

LXCP52(II)-aaa:

-LXCP= Longxc medical adapter

-52=Name of the series

-(II)= Class II equipment

- aaa="005" _ "168" stands for the output condition. "005" means 5.0V , "009" means 9.0V ,"012" means 12.0V, "014" means 14.0V,"015" means 15.0V,"168" means 16.8V, "018" means 18.0V, "019" means 19.0V, "020" means 20.0V "024" means 24.0V.

Model number	Model number	Rated output voltage(V)	Rated output current(A)	Rated output power(W)
LXCP52-005	LXCP52(II)-005	5.0	4.00	20.0
LXCP52-009	LXCP52(II)-009	9.0	4.00	36.0
LXCP52-012	LXCP52(II)-012	12.0	4.00	48.0
LXCP52-014	LXCP52(II)-014	14.0	3.30	47.2
LXCP52-015	LXCP52(II)-015	15.0	3.30	49.5
LXCP52-168	LXCP52(II)-168	16.8	2.63	44.2
LXCP52-018	LXCP52(II)-018	18.0	2.63	47.4
LXCP52-019	LXCP52(II)-019	19.0	2.63	50.0
LXCP52-020	LXCP52(II)-020	20.0	2.20	44.0
LXCP52-024	LXCP52(II)-024	24.0	2.20	52.8

3 INPUT CHARACTERISTICS

3.1 INPUT VOLTAGE & FREQUENCY

	Minimum	Nominal	Maximum
Input Voltage	90Vac	100-240Vac	264Vac
Input Frequency	47Hz	50Hz/60Hz	63Hz

3.2 INPUT CURRENT

The maximum input current is 2.5A at nominal AC input voltage and full load.

3.3 INRUSH CURRENT

The inrush current will not exceed 50A at 264Vac input for a cold start at 25°C.

3.4 STATIC LOSS

The static loss is less than 0.5W at normal input voltage.

3.5 EFFICIENCY

The efficiency shall be higher than 80% while measuring at 115VAC&230VAC input voltage, full load.

4 OUTPUT CHARACTERISTICS

 深圳市龙星辰电源有限公司 Shenzhen Longxc Power Supply Co.,LTD	Rev.	V00	Document NO.	LXC/RD-Spec-065
	Specification/ LXCP52 /LXCP52(II)SERIES	Page	5/9	Date

Item	Model number	OUTPUT CHARACTERISTICS					notes
	LXCP52 series	LXCP52(II) series	Rated output voltage(V)	Output voltage range(V)	Rated output current(A)	Rated output power(W)	
Model number	LXCP52-005	LXCP52(II)-005	5.0	4.70~5.30	4.00	20.0	
	LXCP52-009	LXCP52(II)-009	9.0	8.75~9.35	4.00	36.0	
	LXCP52-012	LXCP52(II)-012	12.0	11.60~12.50	4.00	48.0	
	LXCP52-014	LXCP52(II)-014	14.0	13.60~14.50	3.30	46.2	
	LXCP52-015	LXCP52(II)-015	15.0	14.80~15.50	3.30	49.5	
	LXCP52-168	LXCP52(II)-168	16.8	16.50~17.00	2.63	44.2	
	LXCP52-018	LXCP52(II)-018	18.0	17.80~18.45	2.63	47.4	
	LXCP52-019	LXCP52(II)-019	19.0	18.62~19.38	2.63	50.0	
	LXCP52-020	LXCP52(II)-020	20.0	19.60~20.40	2.20	44.0	
	LXCP52-024	LXCP52(II)-024	24.0	23.70~24.30	2.20	52.8	
load regulation	±2%						
voltage regulation	±2%						
overshoot	≤5%						ab alue
Hold up time	≥16 mS						@220V
Efficiency	≥80%						
Over current protection(A)	120-200%Iout						
Over voltage protection(V)	105-140%Vout						
Ripple and noise	≤200mV (measured by 20MHz bandwidth oscilloscope and terminated each output with a 0.1uF ceramic capacitor and a10uF aluminum electrolytic capacitor)						
Over temperature protection	The power supply shall go into stop mode when the IC's temperature is over its trigger point and when IC temperature is lower than regulation value, the power supply shall be self-recovering.						
Short circuit protection	The power supply shall withstand continuous current of short circuit on output no any damage. When the fault condition is removed the power supply shall be self-recovering.						

5 ENVIRONMENTAL REQUIREMENTS

5.1 OPERATING CONDITION

The power supply shall be compliant with each item in this specification for the following environmental conditions.

Ambient Temperature	-10℃~40℃
Relative Humidity	20%~90%

5.2 STORAGE CONDITION

Ambient Temperature	-20℃~80℃
Relative Humidity	10%~90%

 POWER[®] ONG.X.C	深圳市龙星辰电源有限公司 Shenzhen Longxc Power Supply Co.,LTD	Rev.	V00	Document NO.	LXC/RD-Spec-065
Specification/ LXCP52 /LXCP52(II)SERIES		Page	6/9	Date	2020/08/05

5.3 COOLING METHOD


Free air convection

5.4 ALTITUDE

Less than or equal to 5000m

6 ELECTROMAGNETIC COMPATIBILITY

Number	Item	Specifications	class	standards
1	CE	CLASS B	/	IEC/EN60601-1-2 YY0505 GB4824 EN55011 FCC Part 18
2	RE	CLASS B	/	IEC/EN60601-1-2 YY0505 GB4824 EN55011 FCC Part 18
3	SURGE	Line to line±1KV	A	IEC/EN60601-1-2 YY0505
		Line to GND±2KV	A	IEC/EN61000-4-5 GB17626.5
4	ESD	air discharge±15KV	A	IEC/EN60601-1-2 YY0505
		Contact discharge±8KV	A	IEC/EN61000-4-2 GB17626.2
5	EFT/B	±2KV (BURST FREQUENCY=100KHZ)	A	IEC/EN60601-1-2 YY0505 IEC/EN61000-4-4 GB17626.4
6	DIP	Dropped to 0%Ut, last 5000ms(250cycle)	B	IEC/EN60601-1-2
		Dropped to 30%Ut, last 500ms(25 cycle)	B	YY0505
		Dropped to 0%Ut, last 20ms(1 cycle)	B	IEC/EN61000-4-11
		Dropped to 0%Ut, last 10ms(0.5 cycle)	A	GB17626.11
7	RS	Test frequency: 80MHz~2700MHz; field intensity: 10V/m; Amplitude modulation: 80%AM(1KHz)	A	IEC/EN60601-1-2 YY0505 IEC/EN61000-4-3 GB17626.3
8	CS	Test frequency: 0.15MHz~80MHz; field intensity: 6V; Amplitude modulation: 80%AM(1KHz)	A	IEC/EN60601-1-2 YY0505 IEC/EN61000-4-6 GB17626.6

 深圳市龙星辰电源有限公司 Shenzhen Longxc Power Supply Co.,LTD	Rev.	V00	Document NO.	LXC/RD-Spec-065	
	Specification/ LXCP52 /LXCP52(II)SERIES		Page	7/9	Date

9	THD	CLASS A(in system)	/	IEC/EN60601-1-2 YY0505 IEC/EN61000-3-2 GB17625.1
10	Voltage Fluctuation and Flicker	Pst≤1.0;Plt≤0.65;Relative steady-state voltage variation dc under3.3%;Maximum relative voltage variation (dmax) under4%	/	IEC/EN60601-1-2 YY0505 IEC/EN61000-3-3 GB17625.2
11	Power Frequency Magnetic Field	30A/m	A	IEC/EN60601-1-2 YY0505 IEC/EN61000-4-8 GB17626.8

Note:

Performance criterion A: Normal performance within limits in this specification.

Performance criterion B: Temporary loss of some functions or degradation of performance. The recovering performance of which without operator intervention.

Performance criterion C: Temporary loss of function or degradation of performance .The recovering performance of which requires operator intervention.

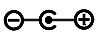
Performance criterion D: Loss of function or degradation of performance which is not recoverable .Owing to damage of hardware , software, or loss of data.

7 MTBF

The power supply shall have a minimum predicted MTBF(MIL-STD-217F) of 100000 hours at normal operation condition and normal use.

8 MECHANICAL

8.1 CONNECTOR TYPE

AC INPUT	CE PLUG
DC OUTPUT	DC Cable 

8.2 WEIGHT

The weight of the power supply shall be about 225g.

9 SAFETY

9.1 SAFETY STANDARD

The power supply is designed for indoor use to meet IEC 60601-1 and EN 60601-1standards and for the following safety regulations.

	ITEM	COUNTRY	STANDARD
<input type="checkbox"/>	UL	USA	UL60950-1/UL60601-1
<input checked="" type="checkbox"/>	CE	EUROPE	EN60950-1/EN60601-1
<input checked="" type="checkbox"/>	CB	WORLDWIDE	IEC 60601-1
<input checked="" type="checkbox"/>	TUV	GERMANY	IEC60601-1
<input type="checkbox"/>	NRTL	CUSA	IEC60601-1/UL60601-1
<input type="checkbox"/>	GS	GERMANY	EN60601-1
<input type="checkbox"/>	BS	ENGLAND	EN60601-1

 深圳市龙星辰电源有限公司 Shenzhen Longxc Power Supply Co.,LTD	Rev.	V00	Document NO.	LXC/RD-Spec-065
	Specification/ LXCP52 /LXCP52(II)SERIES	Page	8/9	Date

<input type="checkbox"/>	SAA	AUSTRALIA	AS/NZS6-1
<input type="checkbox"/>	CCC	CHINA	GB4943/GB9706

9.2 DIELECTRIC WITHSTAND VOLTAGE

Primary to Secondary: 4KVac for 60 seconds, 5mA(max)

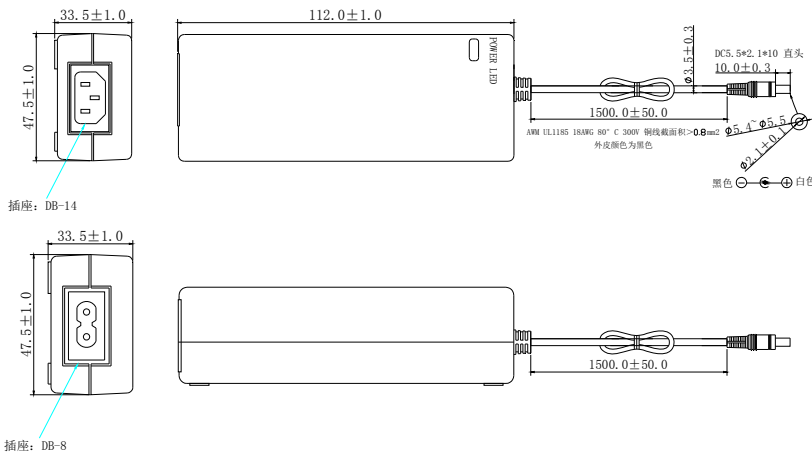
9.3 LEAKAGE CURRENT

According to the class II with Leakage current less than 0.1mA.

10 OUTLINE AND LABEL ARTWORK(UNIT: mm)



L*W*H 112.0*47.5*33.5



11 DC PLUG FIGURE(Detail information selection from file of LXC_Dcline_Library.xls)



Optional input plug:

The AC input line shall be required for VDE or UL certification.

12 NAMEPLATE

LXCP52-012



LXCP52(II)-012




 深圳市龙星辰电源有限公司 Shenzhen Longxc Power Supply Co.,LTD	Rev.	V00	Document NO.	LXC/RD-Spec-065
	Specification/ LXCP52 /LXCP52(II)SERIES	Page	9/9	Date

Symbol explanation on nameplate:

: Direct current


: RoHS mark


: DC Cable


: Class II equipment, earth-free

: CE mark

: CB mark

: Two-dimensional code

: In-door use only

: Environment protection- waste electrical products should not be disposed of with household waste. Please follow the local government guidelines

13 LNOTICE

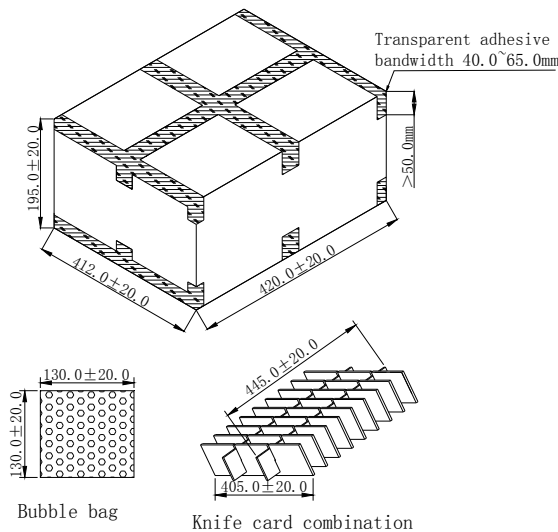
- The power supply shall be transported by cars,boats or aircraft and it should be pay attention to sun,moisture and handing in transit.
- At the termination of the products use,the power supply should be needed reasonable processing according to the requirements of the local government.

14 PACKING REQUIREMENT (UNIT:mm)

- Packing Q'ty 60pcs/CTN (Size: 420.0*412.0*195.0mm)
- Outline just for reference
- weigh about 14Kg

The cartons: 420.0×412.0×195.0mm
 30 sets/floor ×2=60 sets/box
 Weight: about 14kg/box

Box screen printing:



深圳市龙星辰电源有限公司
 Shenzhen LongXC Power Supply Co.,LTD.
 Add:深圳市宝安区石岩街道应人石文韬科技园B栋4-5层
 4-5/F,B Building, Yingrenshi Community, Wentao Science Park,
 Shiyao Town, Bao'an, Shenzhen, China
 Tel: 0755-27784192 27864721
 Fax: 0755-29991201
 Web: <http://www.longxc.com>

