



# Farwise Technology Co., Ltd.

District C, HuaXin industrial, Gaobu Town, Dongguan City, 523283, China


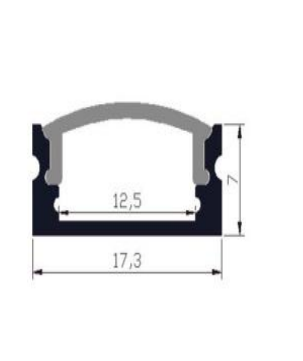

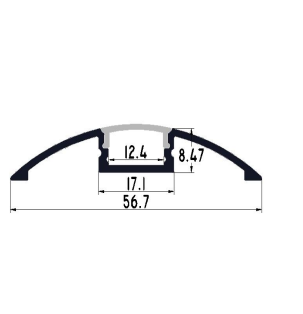

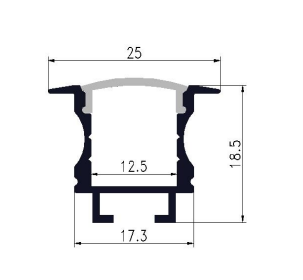
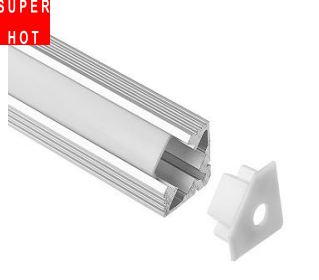
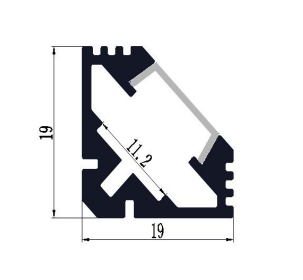

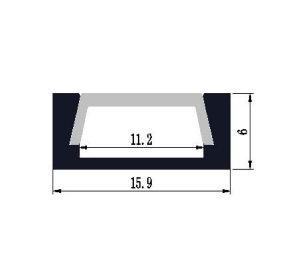
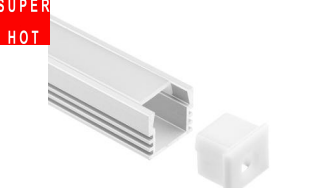
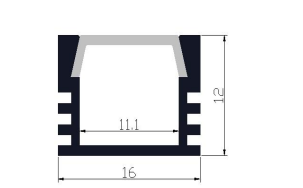
Contact: Cindy Yuan


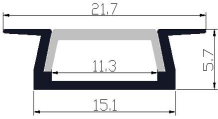

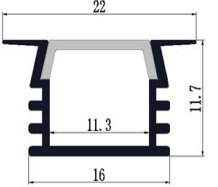

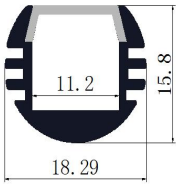

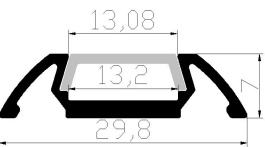
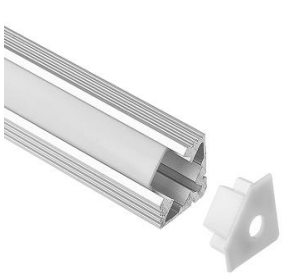
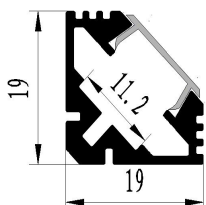

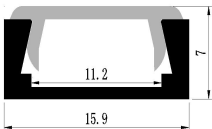
E-mail: sales06@dgfarwise.com


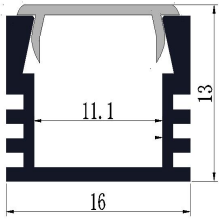

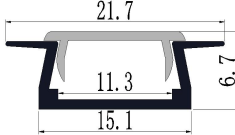
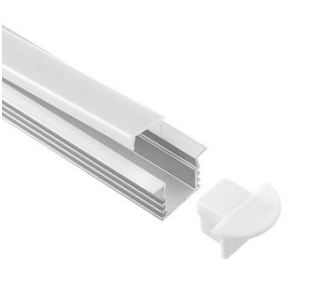
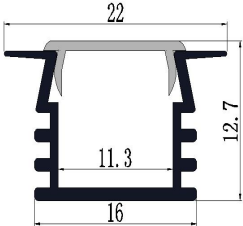
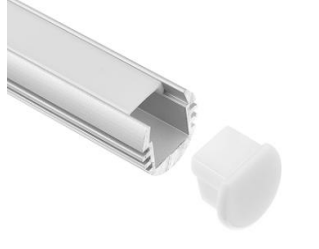
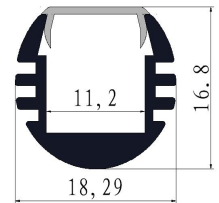
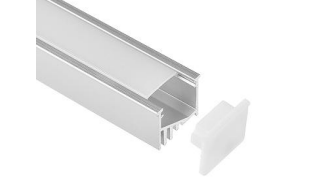
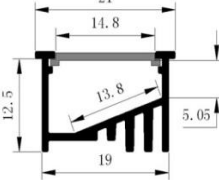

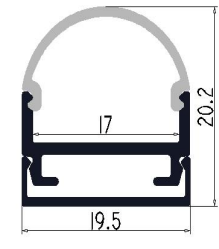
Tel: +86-18681062841


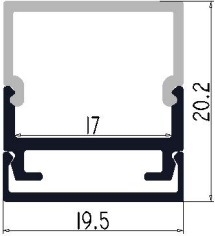

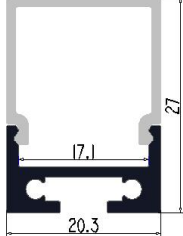

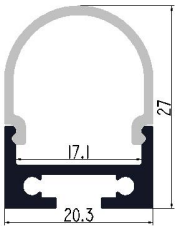

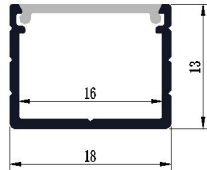

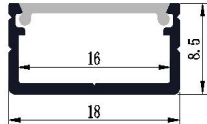

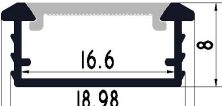
Web: www.farwise.en.ali


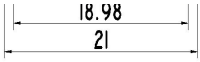

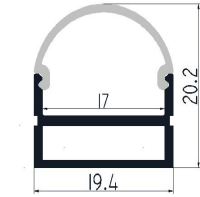
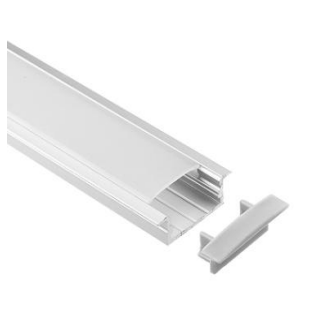
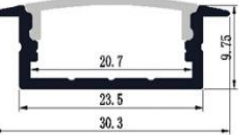
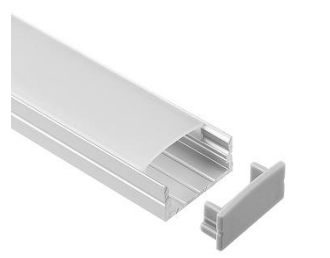
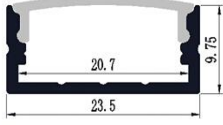
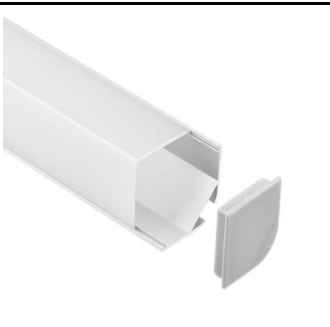
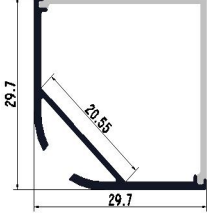

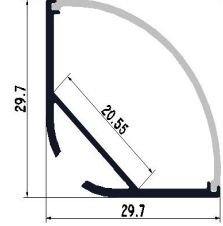
Item	picture	drawing	length	parts	unit price (USD\$) EXW
FW-1201			1m	aluminum profile: 1m/pc pc cover: 1m/pc end cap: 2pcs/set clip: 2pcs/set PCB width : 12mm	US\$1.71
FW-1202			1m	aluminum profile: 1m/pc pc cover: 1m/pc end cap: 2pcs/set clip: 2pcs/set PCB width : 12mm can match the angle adjusting support	US\$1.71
FW-1203			1m	aluminum profile: 1m/pc pc cover: 1m/pc end cap: 2pcs/set clip: 2pcs/set PCB width : 12mm	US\$1.71
FW-1204			1m	aluminum profile: 1m/pc pc cover: 1m/pc end cap: 2pcs/set clip: 2pcs/set PCB width : 12mm can match the angle adjusting support	US\$1.32

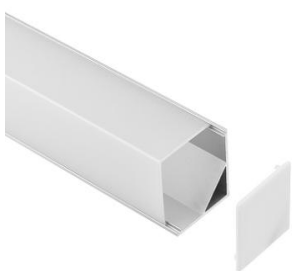
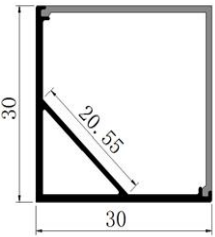
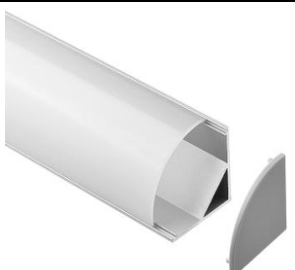
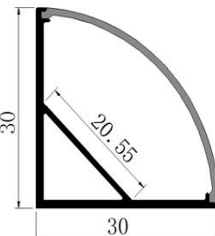
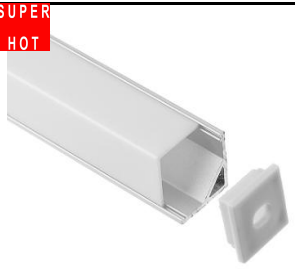
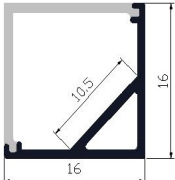

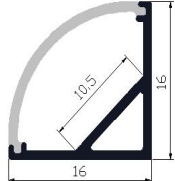
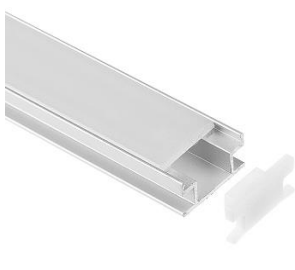
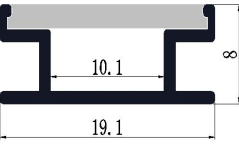
FW-1205	 <p><b>SUPER HOT</b></p>		<p>1m</p> <p>profile: 1m/pc pc cover: 1m/pc end cap: 2pcs/set clip: 2pcs/set PCB width : 12mm can match the angle adjusting support can be equipped with 90 degree inner corner accessories</p>	US\$1.32
FW-1206			<p>1m</p> <p>aluminum profile: 1m/pc pc cover: 1m/pc end cap: 2pcs/set clip: 2pcs/set PCB width : 12mm</p>	US\$2.65
FW-1207	 <p><b>SUPER HOT</b></p>		<p>1m</p> <p>profile: 1m/pc pc cover: 1m/pc end cap: 2pcs/set 2pcs PCB width : 12mm</p>	US\$2.83
FW-1101	 <p><b>SUPER HOT</b></p>		<p>1m</p> <p>aluminum pc cover: 1m/pc end cap: 2pcs/set clip: 2pcs/set PCB width : 11mm</p>	US\$2.47
FW-1102	 <p><b>SUPER HOT</b></p>		<p>1m</p> <p>profile: 1m/pc pc cover: 1m/pc end cap: 2pcs/set clip: 2pcs/set PCB width : 11mm</p>	US\$1.24
FW-1103	 <p><b>SUPER HOT</b></p>		<p>1m</p> <p>profile: 1m/pc pc cover: 1m/pc end cap: 2pcs/set clip: 2pcs/set PCB width : 11mm</p>	US\$1.50


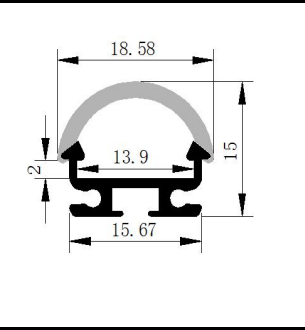

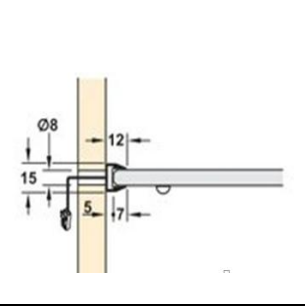

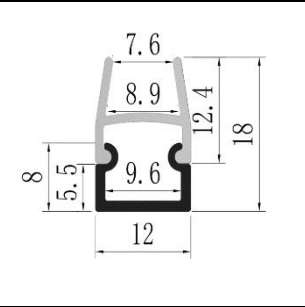

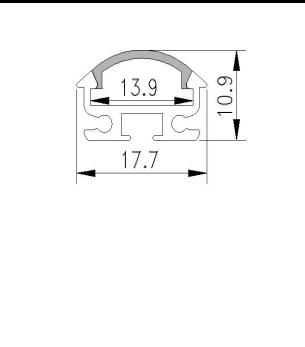
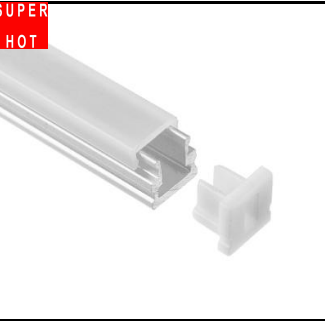
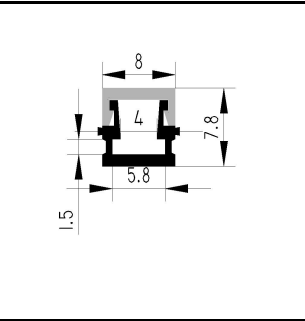

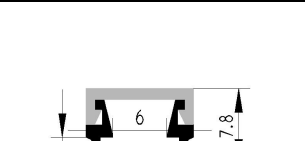
FW-1104			1m aluminum pc cover: 1m/pc end cap: 2pcs/set clip: 2pcs/set PCB width : 11mm	US\$1.24
FW-1105			1m profile: 1m/pc pc cover: 1m/pc end cap: 2pcs/set clip: 2pcs/set PCB width : 11mm	US\$1.50
FW-1106			1m aluminum profile: 1m/pc pc cover: 1m/pc end cap: 2pcs/set clip: 2pcs/set PCB width : 11mm	US\$1.94
FW-1107			1m aluminum profile: 1m/pc pc cover: 1m/pc end cap: 2pcs/set clip: 2pcs/set PCB width : 13mm	US\$1.94
W-1101			1m aluminum profile: 1m/pc pc cover: 1m/pc end cap: 2pcs/set clip: 2pcs/set PCB width : 11mm	US\$2.47
			1m profile: 1m/pc pc cover: 1m/pc end cap: 2pcs/set clip: 2pcs/set PCB width : 11mm	US\$1.24

W-1103			<p>1m</p> <p>aluminum profile: 1m/pc pc cover: 1m/pc end cap: 2pcs/set clip: 2pcs/set PCB width : 11mm</p>	US\$1.50
W-1104			<p>1m</p> <p>aluminum profile: 1m/pc pc cover: 1m/pc end cap: 2pcs/set clip: 2pcs/set PCB width : 11mm</p>	US\$1.24
W-1105			<p>1m</p> <p>aluminum profile: 1m/pc pc cover: 1m/pc end cap: 2pcs/set clip: 2pcs/set PCB width : 11mm</p>	US\$1.50
W-1106			<p>1m</p> <p>profile: 1m/pc pc cover: 1m/pc end cap: 2pcs/set clip: 2pcs/set PCB width : 11mm</p>	US\$1.94
FW-16			<p>1m</p> <p>aluminum profile: 1m/pc pc cover: 1m/pc end cap: 2pcs/set clip: 2pcs/set PCB width : 13mm</p>	US\$2.38
FW-1601			<p>1m</p> <p>aluminum profile: 1m/pc pc cover: 1m/pc end cap: 2pcs/set / PCB width : 16mm</p>	US\$2.12


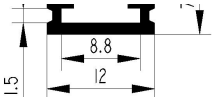

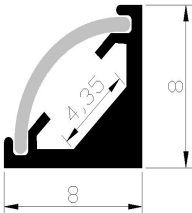

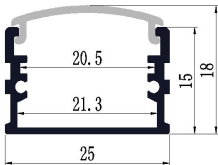

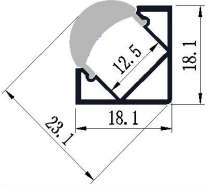

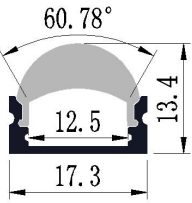

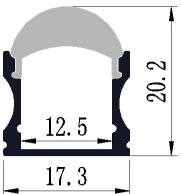


FW-1602			<p>1m</p> <p>aluminum profile: 1m/pc pc cover: 1m/pc end cap: 2pcs/set / PCB width : 16mm</p>	US\$2.12
FW-1604			<p>1m</p> <p>aluminum pc cover: 1m/pc end cap: 2pcs/set clip: 2pcs/set PCB width : 16mm can be equipped with wire</p>	US\$2.56
FW-1603			<p>1m</p> <p>profile: 1m/pc pc cover: 1m/pc end cap: 2pcs/set clip: 2pcs/set PCB width : 16mm can be equipped with wire</p>	US\$2.56
FW-1605			<p>1m</p> <p>aluminum profile: 1m/pc pc cover: 1m/pc end cap: 2pcs/set clip: 2pcs/set PCB width : 16mm</p>	US\$1.59
FW-1606			<p>1m</p> <p>profile: 1m/pc pc cover: 1m/pc end cap: 2pcs/set clip: 2pcs/set PCB width : 16mm</p>	US\$1.41
FW-1607			<p>1m</p> <p>aluminum profile: 1m/pc pc cover: 1m/pc</p>	US\$1.50


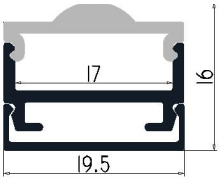
			<table border="1"> <tr><td>end cap:2pcs/set</td></tr> <tr><td>clip:2pcs/set</td></tr> <tr><td>PCB width : 16mm</td></tr> </table>	end cap:2pcs/set	clip:2pcs/set	PCB width : 16mm					
end cap:2pcs/set											
clip:2pcs/set											
PCB width : 16mm											
FW-1920			<table border="1"> <tr><td>aluminum</td></tr> <tr><td>pc cover: 1m/pc</td></tr> <tr><td>end cap:2pcs/set</td></tr> <tr><td>clip:2pcs/set</td></tr> <tr><td>PCB width : 16mm</td></tr> </table>	aluminum	pc cover: 1m/pc	end cap:2pcs/set	clip:2pcs/set	PCB width : 16mm	US\$2.12		
aluminum											
pc cover: 1m/pc											
end cap:2pcs/set											
clip:2pcs/set											
PCB width : 16mm											
FW-2001			<table border="1"> <tr><td>aluminum</td></tr> <tr><td>profile: 1m/pc</td></tr> <tr><td>pc cover: 1m/pc</td></tr> <tr><td>end cap:2pcs/set</td></tr> <tr><td>clip:2pcs/set</td></tr> <tr><td>PCB width : 20mm</td></tr> </table>	aluminum	profile: 1m/pc	pc cover: 1m/pc	end cap:2pcs/set	clip:2pcs/set	PCB width : 20mm	US\$1.71	
aluminum											
profile: 1m/pc											
pc cover: 1m/pc											
end cap:2pcs/set											
clip:2pcs/set											
PCB width : 20mm											
FW-2002			<table border="1"> <tr><td>profile: 1m/pc</td></tr> <tr><td>pc cover: 1m/pc</td></tr> <tr><td>end cap:2pcs/set</td></tr> <tr><td>clip:2pcs/set</td></tr> <tr><td>PCB width : 20mm</td></tr> </table>	profile: 1m/pc	pc cover: 1m/pc	end cap:2pcs/set	clip:2pcs/set	PCB width : 20mm	US\$1.71		
profile: 1m/pc											
pc cover: 1m/pc											
end cap:2pcs/set											
clip:2pcs/set											
PCB width : 20mm											
FW-2003			<table border="1"> <tr><td>profile: 1m/pc</td></tr> <tr><td>pc cover: 1m/pc</td></tr> <tr><td>end cap:2pcs/set</td></tr> <tr><td>clip:2pcs/set</td></tr> <tr><td>PCB width : 20mm</td></tr> <tr><td>can be equipped with wire hanging</td></tr> </table>	profile: 1m/pc	pc cover: 1m/pc	end cap:2pcs/set	clip:2pcs/set	PCB width : 20mm	can be equipped with wire hanging	US\$2.47	
profile: 1m/pc											
pc cover: 1m/pc											
end cap:2pcs/set											
clip:2pcs/set											
PCB width : 20mm											
can be equipped with wire hanging											
FW-2004			<table border="1"> <tr><td>profile: 1m/pc</td></tr> <tr><td>pc cover: 1m/pc</td></tr> <tr><td>end cap:2pcs/set</td></tr> <tr><td>clip:2pcs/set</td></tr> <tr><td>PCB width : 20mm</td></tr> <tr><td>can be equipped with wire hanging</td></tr> <tr><td>can be equipped with 180 degree straight connector</td></tr> </table>	profile: 1m/pc	pc cover: 1m/pc	end cap:2pcs/set	clip:2pcs/set	PCB width : 20mm	can be equipped with wire hanging	can be equipped with 180 degree straight connector	US\$2.47
profile: 1m/pc											
pc cover: 1m/pc											
end cap:2pcs/set											
clip:2pcs/set											
PCB width : 20mm											
can be equipped with wire hanging											
can be equipped with 180 degree straight connector											


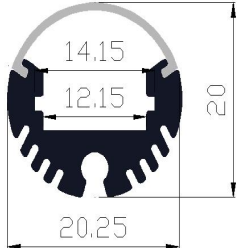
			can be equipped with 90 degree out corner connector		
W-3030			1m	profile: 1m/pc pc cover: 1m/pc end cap: 2pcs/set clip: 2pcs/set PCB width : 20mm	US\$2.47
W-3030			1m	profile: 1m/pc pc cover: 1m/pc end cap: 2pcs/set clip: 2pcs/set PCB width : 20mm	US\$2.47
FW-1001	<b>SUPER HOT</b> 		1m	profile: 1m/pc pc cover: 1m/pc end cap: 2pcs/set clip: 2pcs/set PCB width : 10mm	US\$1.41
FW-1002	<b>SUPER HOT</b> 		1m	profile: 1m/pc pc cover: 1m/pc end cap: 2pcs/set clip: 2pcs/set PCB width : 10mm can be equipped with 90 degree out corner connector	US\$1.41
FW-1003			1m	aluminum profile: 1m/pc pc cover: 1m/pc end cap: 2pcs/set clip: 2pcs/set PCB width : 10mm	US\$1.50


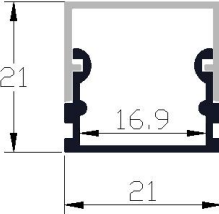
FW-01-1			1m	profile: 1m/pc pc cover: 1m/pc end cap: 2pcs/set clip: 2pcs/set 13.5mm can be equipped with wire hanging	US\$1.59
FW-V04			1m	profile: 1m/pc / / / PCB width : 12mm	US\$1.06
FW-1218			1m	profile: 1m/pc pc cover: 1m/pc / / PCB width : 9mm	US\$1.32
FW-06			1m	aluminum profile: 1m/pc pc cover: 1m/pc end cap: 2pcs/set clip: 2pcs/set PCB width : 13.5mm	US\$1.50
FW-07			1m	aluminum profile: 1m/pc pc cover: 1m/pc end cap: 2pcs/set clip: 2pcs/set PCB width : 5mm	US\$1.06
FW-08				aluminum profile: 1m/pc	


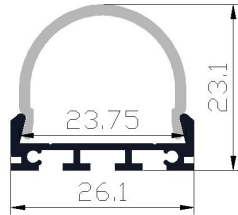


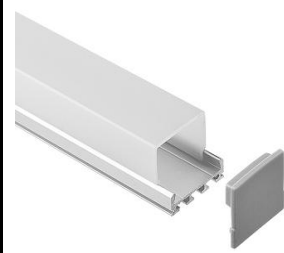
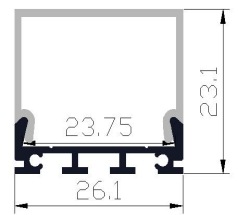
FW-08			1m	<table border="1"> <tr><td>pc cover: 1m/pc</td></tr> <tr><td>end cap: 2pcs/set</td></tr> <tr><td>clip: 2pcs/set</td></tr> <tr><td>PCB width : 8mm</td></tr> </table>	pc cover: 1m/pc	end cap: 2pcs/set	clip: 2pcs/set	PCB width : 8mm	US\$1.24	
pc cover: 1m/pc										
end cap: 2pcs/set										
clip: 2pcs/set										
PCB width : 8mm										
FW-09			1m	<table border="1"> <tr><td>aluminum profile: 1m/pc</td></tr> <tr><td>pc cover: 1m/pc</td></tr> <tr><td>end cap: 2pcs/set</td></tr> <tr><td>clip: 2pcs/set</td></tr> <tr><td>PCB width : 4mm</td></tr> </table>	aluminum profile: 1m/pc	pc cover: 1m/pc	end cap: 2pcs/set	clip: 2pcs/set	PCB width : 4mm	US\$1.24
aluminum profile: 1m/pc										
pc cover: 1m/pc										
end cap: 2pcs/set										
clip: 2pcs/set										
PCB width : 4mm										
FW-10			1m	<table border="1"> <tr><td>profile: 1m/pc</td></tr> <tr><td>pc cover: 1m/pc</td></tr> <tr><td>end cap: 2pcs/set</td></tr> <tr><td>clip: 2pcs/set</td></tr> <tr><td>PCB width : 20mm</td></tr> </table>	profile: 1m/pc	pc cover: 1m/pc	end cap: 2pcs/set	clip: 2pcs/set	PCB width : 20mm	US\$2.12
profile: 1m/pc										
pc cover: 1m/pc										
end cap: 2pcs/set										
clip: 2pcs/set										
PCB width : 20mm										
FW-1301			1m	<table border="1"> <tr><td>profile: 1m/pc</td></tr> <tr><td>pc cover: 1m/pc</td></tr> <tr><td>end cap: 2pcs/set</td></tr> <tr><td>clip: 2pcs/set</td></tr> <tr><td>PCB width : 12mm</td></tr> </table>	profile: 1m/pc	pc cover: 1m/pc	end cap: 2pcs/set	clip: 2pcs/set	PCB width : 12mm	US\$2.91
profile: 1m/pc										
pc cover: 1m/pc										
end cap: 2pcs/set										
clip: 2pcs/set										
PCB width : 12mm										
FW-1302			1m	<table border="1"> <tr><td>profile: 1m/pc</td></tr> <tr><td>pc cover: 1m/pc</td></tr> <tr><td>end cap: 2pcs/set</td></tr> <tr><td>clip: 2pcs/set</td></tr> <tr><td>PCB width : 12mm</td></tr> </table>	profile: 1m/pc	pc cover: 1m/pc	end cap: 2pcs/set	clip: 2pcs/set	PCB width : 12mm	US\$2.30
profile: 1m/pc										
pc cover: 1m/pc										
end cap: 2pcs/set										
clip: 2pcs/set										
PCB width : 12mm										
FW-1303			1m	<table border="1"> <tr><td>profile: 1m/pc</td></tr> <tr><td>pc cover: 1m/pc</td></tr> <tr><td>end cap: 2pcs/set</td></tr> <tr><td>clip: 2pcs/set</td></tr> <tr><td>PCB width : 12mm</td></tr> </table>	profile: 1m/pc	pc cover: 1m/pc	end cap: 2pcs/set	clip: 2pcs/set	PCB width : 12mm	US\$2.91
profile: 1m/pc										
pc cover: 1m/pc										
end cap: 2pcs/set										
clip: 2pcs/set										
PCB width : 12mm										
										

FW-1304			1m profile: 1m/pc pc cover: 1m/pc end cap: 2pcs/set / PCB width : 16mm	US\$2.74
---------	---	---	---	----------


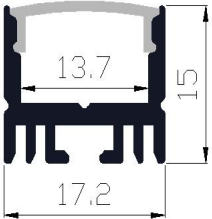
FW-2020	<span style="color: red; font-weight: bold;">SUPER HOT</span> 		1m profile: 1m/pc pc cover: 1m/pc end cap: 2pcs/set clip: 2pcs/set PCB width : 12mm  <span style="color: red;">can be equipped with wire hanging</span>	US\$2.47
---------	--	---	--	----------



FW-2121	<span style="color: red; font-weight: bold;">SUPER HOT</span> 		1m aluminum profile: 1m/pc pc cover: 1m/pc end cap: 2pcs/set clip: 2pcs/set PCB width : 16mm	US\$2.03
---------	---	--	---	----------



FW-2401			1m aluminum profile: 1m/pc pc cover: 1m/pc end cap: 2pcs/set clip: 2pcs/set PCB width : 16mm  <span style="color: red;">can be equipped with wire hanging</span>	US\$2.65
---------	---	---	---	----------


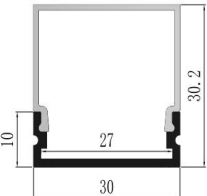
FW-2402			1m profile: 1m/pc pc cover: 1m/pc end cap: 2pcs/set clip: 2pcs/set PCB width : 23mm  <span style="color: red;">can be equipped with wire hanging</span>	US\$2.74
---------	---	---	--	----------

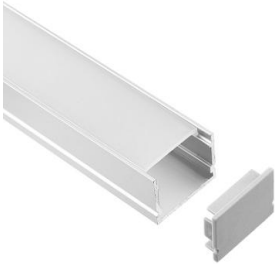

--	--	--	--	--



FW-1715			1m aluminum profile: 1m/pc pc cover: 1m/pc end cap: 2pcs/set clip: 2pcs/set PCB width : 13mm  can be equipped with wire hanging	US\$2.30
---------	---	---	---	----------

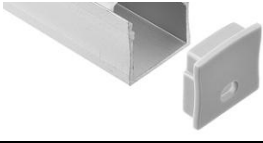


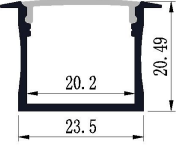

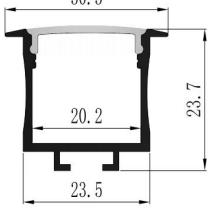
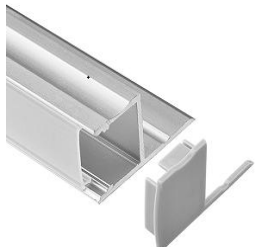
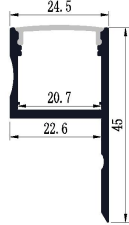

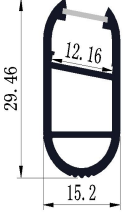

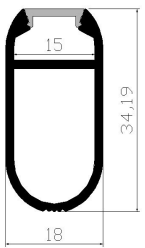


FW-2601	<span style="color: red; font-weight: bold;">SUPER HOT</span> 		1m profile: 1m/pc pc cover: 1m/pc end cap: 2pcs/set clip: 2pcs/set PCB width : 26mm	US\$2.30
---------	--	---	--	----------


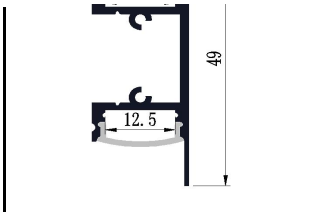
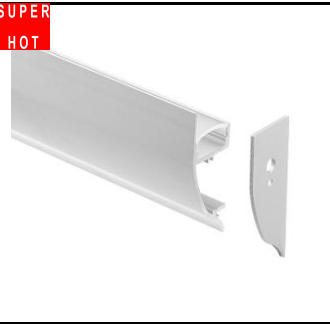
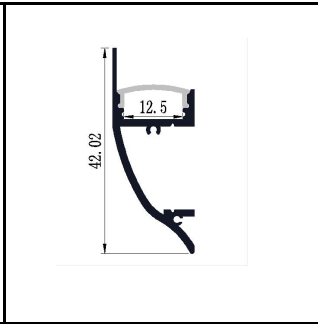
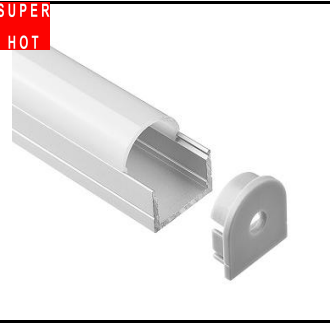
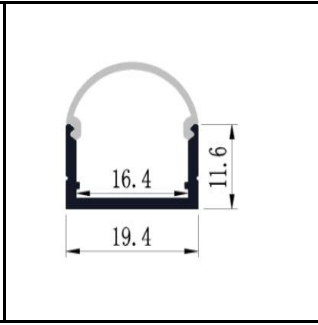
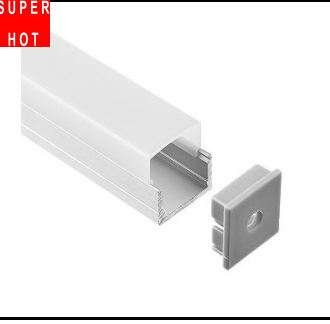
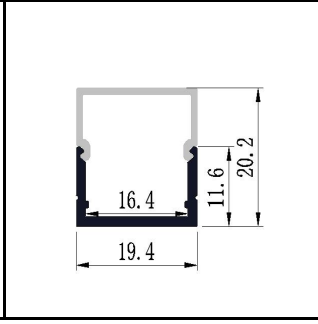
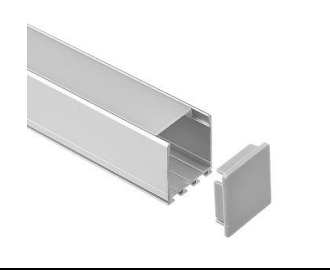
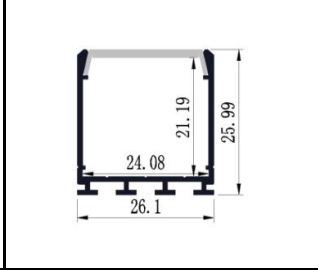
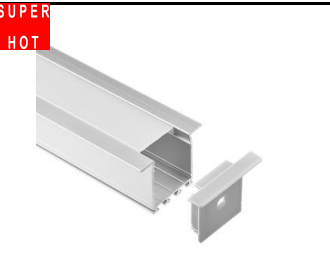
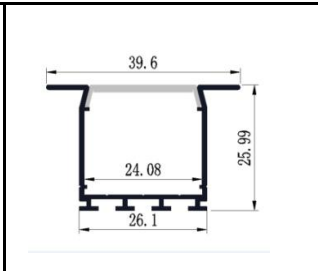
FW-2005			1m profile: 1m/pc pc cover: 1m/pc end cap: 2pcs/set clip: 2pcs/set PCB width : 27mm	US\$2.30
---------	--	---	--	----------


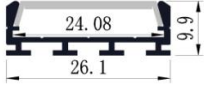

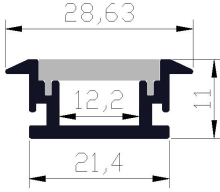
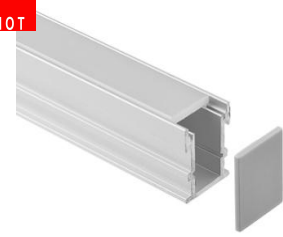
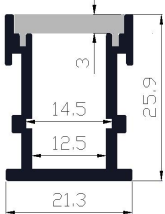


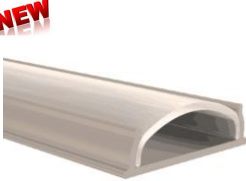
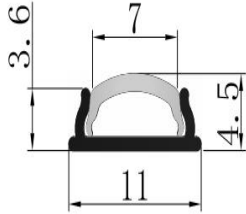
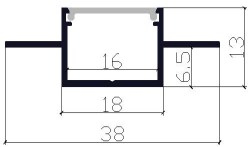
W-2005	<span style="color: red; font-weight: bold;">NEW</span> 		1m profile: 1m/pc pc cover: 1m/pc end cap: 2pcs/set clip: 2pcs/set PCB width : 27mm	US\$3.04
--------	--	---	--	----------


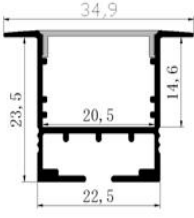

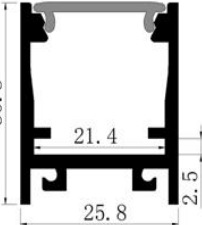
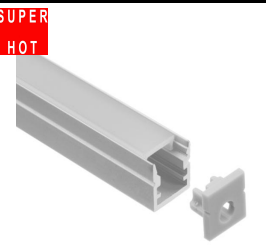
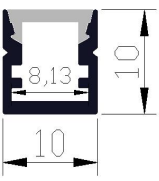

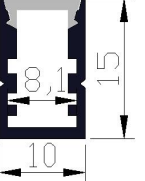
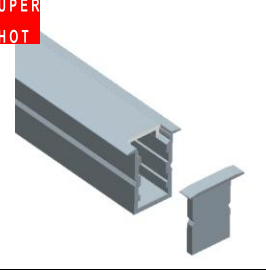
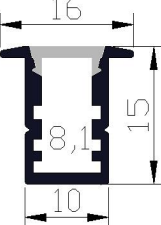
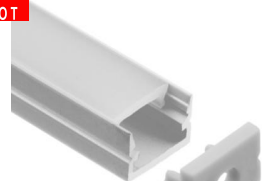
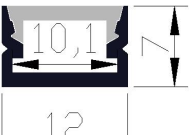
FW-2006			1m profile: 1m/pc pc cover: 1m/pc end cap: 2pcs/set clip: 2pcs/set PCB width : 27mm	US\$3.00
---------	---	---	--	----------



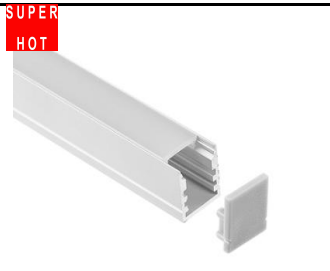
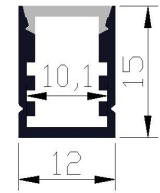
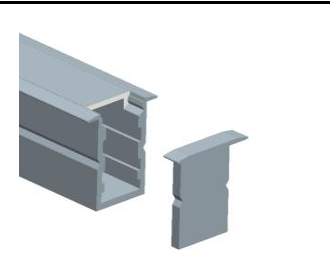
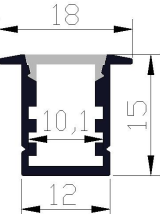
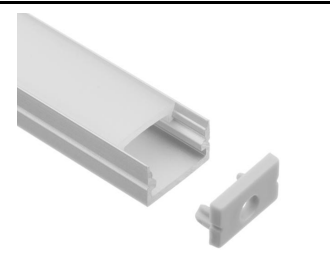
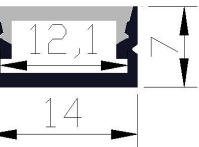

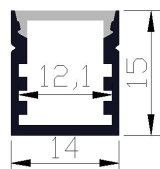
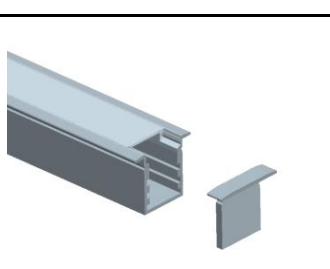
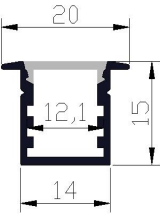


FW-2007			1m profile: 1m/pc pc cover: 1m/pc	US\$2.50
---------	---	---	---	----------

FW-2007			1m	<table border="1"> <tr><td>end cap:2pcs/set</td></tr> <tr><td>clip:2pcs/set</td></tr> <tr><td>PCB width : 20mm</td></tr> </table>	end cap:2pcs/set	clip:2pcs/set	PCB width : 20mm	US\$2.50				
end cap:2pcs/set												
clip:2pcs/set												
PCB width : 20mm												
FW-2008			1m	<table border="1"> <tr><td>profile: 1m/pc</td></tr> <tr><td>pc cover: 1m/pc</td></tr> <tr><td>end cap:2pcs/set</td></tr> <tr><td>clip:2pcs/set</td></tr> <tr><td>PCB width : 20mm</td></tr> </table>	profile: 1m/pc	pc cover: 1m/pc	end cap:2pcs/set	clip:2pcs/set	PCB width : 20mm	US\$2.65		
profile: 1m/pc												
pc cover: 1m/pc												
end cap:2pcs/set												
clip:2pcs/set												
PCB width : 20mm												
FW-2008	<b>NEW</b> 		1m	<table border="1"> <tr><td>aluminum</td></tr> <tr><td>profile: 1m/pc</td></tr> <tr><td>pc cover: 1m/pc</td></tr> <tr><td>end cap:2pcs/set</td></tr> <tr><td>spring</td></tr> <tr><td>clip:2pcs/set</td></tr> <tr><td>PCB width : 20mm</td></tr> </table>	aluminum	profile: 1m/pc	pc cover: 1m/pc	end cap:2pcs/set	spring	clip:2pcs/set	PCB width : 20mm	US\$3.55
aluminum												
profile: 1m/pc												
pc cover: 1m/pc												
end cap:2pcs/set												
spring												
clip:2pcs/set												
PCB width : 20mm												
FW-2009			1m	<table border="1"> <tr><td>profile: 1m/pc</td></tr> <tr><td>pc cover: 1m/pc</td></tr> <tr><td>end cap:2pcs/set</td></tr> <tr><td>/</td></tr> <tr><td>PCB width : 20mm</td></tr> </table>	profile: 1m/pc	pc cover: 1m/pc	end cap:2pcs/set	/	PCB width : 20mm	US\$4.06		
profile: 1m/pc												
pc cover: 1m/pc												
end cap:2pcs/set												
/												
PCB width : 20mm												
FW-1401	<b>SUPER HOT</b> 		1m	<table border="1"> <tr><td>profile: 1m/pc</td></tr> <tr><td>pc cover: 1m/pc</td></tr> <tr><td>end cap:2pcs/set</td></tr> <tr><td>2pcs/set</td></tr> <tr><td>hanging support:</td></tr> <tr><td>PCB width : 12mm</td></tr> </table>	profile: 1m/pc	pc cover: 1m/pc	end cap:2pcs/set	2pcs/set	hanging support:	PCB width : 12mm	US\$4.06	
profile: 1m/pc												
pc cover: 1m/pc												
end cap:2pcs/set												
2pcs/set												
hanging support:												
PCB width : 12mm												
FW-3518	<b>NEW</b> 		1m	<table border="1"> <tr><td>profile: 1m/pc</td></tr> <tr><td>pc cover: 1m/pc</td></tr> <tr><td>2pcs/set</td></tr> <tr><td>PCB width : 15mm</td></tr> </table>	profile: 1m/pc	pc cover: 1m/pc	2pcs/set	PCB width : 15mm	US\$4.59			
profile: 1m/pc												
pc cover: 1m/pc												
2pcs/set												
PCB width : 15mm												
	<b>SUPER HOT</b> 			<table border="1"> <tr><td>profile: 1m/pc</td></tr> </table>	profile: 1m/pc							
profile: 1m/pc												


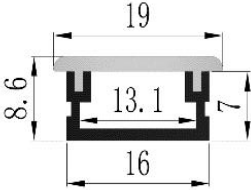

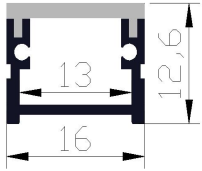

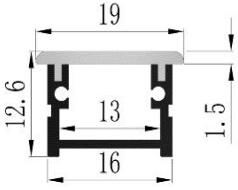

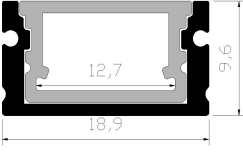

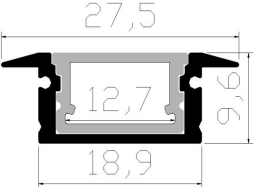

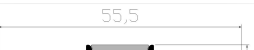
FW-1402			1m	<table border="1"> <tr><td>pc cover: 1m/pc</td></tr> <tr><td>end cap: 2pcs/set</td></tr> <tr><td>clip: 2pcs/set</td></tr> <tr><td>PCB width : 12mm</td></tr> <tr><td> </td></tr> <tr><td> </td></tr> </table>	pc cover: 1m/pc	end cap: 2pcs/set	clip: 2pcs/set	PCB width : 12mm			US\$4.06				
pc cover: 1m/pc															
end cap: 2pcs/set															
clip: 2pcs/set															
PCB width : 12mm															
FW-1403	<b>SUPER HOT</b> 		1m	<table border="1"> <tr><td> </td></tr> <tr><td> </td></tr> <tr><td>aluminum profile: 1m/pc</td></tr> <tr><td>pc cover: 1m/pc</td></tr> <tr><td>end cap: 2pcs/set</td></tr> <tr><td>clip: 2pcs/set</td></tr> <tr><td>PCB width : 12mm</td></tr> <tr><td> </td></tr> <tr><td> </td></tr> </table>			aluminum profile: 1m/pc	pc cover: 1m/pc	end cap: 2pcs/set	clip: 2pcs/set	PCB width : 12mm			US\$3.00	
aluminum profile: 1m/pc															
pc cover: 1m/pc															
end cap: 2pcs/set															
clip: 2pcs/set															
PCB width : 12mm															
FW-1608	<b>SUPER HOT</b> 		1m	<table border="1"> <tr><td> </td></tr> <tr><td> </td></tr> <tr><td>aluminum profile: 1m/pc</td></tr> <tr><td>pc cover: 1m/pc</td></tr> <tr><td>end cap: 2pcs/set</td></tr> <tr><td>clip: 2pcs/set</td></tr> <tr><td>PCB width : 16mm</td></tr> <tr><td> </td></tr> <tr><td> </td></tr> </table>			aluminum profile: 1m/pc	pc cover: 1m/pc	end cap: 2pcs/set	clip: 2pcs/set	PCB width : 16mm			US\$1.94	
aluminum profile: 1m/pc															
pc cover: 1m/pc															
end cap: 2pcs/set															
clip: 2pcs/set															
PCB width : 16mm															
FW-1609	<b>SUPER HOT</b> 		1m	<table border="1"> <tr><td> </td></tr> <tr><td> </td></tr> <tr><td>aluminum profile: 1m/pc</td></tr> <tr><td>pc cover: 1m/pc</td></tr> <tr><td>end cap: 2pcs/set</td></tr> <tr><td>clip: 2pcs/set</td></tr> <tr><td>PCB width : 16mm</td></tr> <tr><td> </td></tr> <tr><td> </td></tr> </table>			aluminum profile: 1m/pc	pc cover: 1m/pc	end cap: 2pcs/set	clip: 2pcs/set	PCB width : 16mm			US\$1.94	
aluminum profile: 1m/pc															
pc cover: 1m/pc															
end cap: 2pcs/set															
clip: 2pcs/set															
PCB width : 16mm															
FW-2403			1m	<table border="1"> <tr><td> </td></tr> <tr><td> </td></tr> <tr><td> </td></tr> <tr><td>profile: 1m/pc</td></tr> <tr><td>pc cover: 1m/pc</td></tr> <tr><td>end cap: 2pcs/set</td></tr> <tr><td>clip: 2pcs/set</td></tr> <tr><td>PCB width : 24mm</td></tr> <tr><td> </td></tr> <tr><td> </td></tr> </table>				profile: 1m/pc	pc cover: 1m/pc	end cap: 2pcs/set	clip: 2pcs/set	PCB width : 24mm			US\$2.74
profile: 1m/pc															
pc cover: 1m/pc															
end cap: 2pcs/set															
clip: 2pcs/set															
PCB width : 24mm															
FW-2404	<b>SUPER HOT</b> 		1m	<table border="1"> <tr><td> </td></tr> <tr><td> </td></tr> <tr><td> </td></tr> <tr><td>profile: 1m/pc</td></tr> <tr><td>pc cover: 1m/pc</td></tr> <tr><td>end cap: 2pcs/set</td></tr> <tr><td>2pcs/set</td></tr> <tr><td>PCB width : 24mm</td></tr> <tr><td> </td></tr> <tr><td> </td></tr> </table>				profile: 1m/pc	pc cover: 1m/pc	end cap: 2pcs/set	2pcs/set	PCB width : 24mm			US\$4.06
profile: 1m/pc															
pc cover: 1m/pc															
end cap: 2pcs/set															
2pcs/set															
PCB width : 24mm															

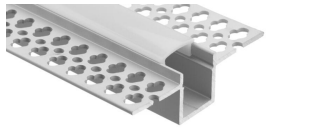
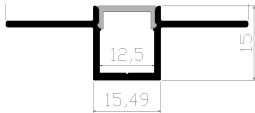
FW-2405			1m aluminum profile: 1m/pc pc cover: 1m/pc end cap:2pcs/set clip:2pcs/set PCB width : 24mm	US\$2.12
FW-2610			1m profile: 1m/pc pc cover: 1m/pc end cap:2pcs/set clip:2pcs/set PCB width : 12mm IP65	US\$2.83
FW-2126			1m profile: 1m/pc pc cover: 1m/pc end cap:2pcs/set clip:2pcs/set PCB width : 12mm IP65	US\$3.71
FW-1806			1m aluminum profile: 1m/pc pc cover: 1m/pc end cap:2pcs/set clip:2pcs/set PCB width : 13mm can be bend in any radian	US\$1.24
FW-1145			1m profile: 1m/pc pc cover: 1m/pc end cap:2pcs/set clip:2pcs/set PCB width : 13mm any radian	US\$1.06
FW-3813			1m profile: 1m/pc pc cover: 1m/pc end cap:2pcs/set clip:2pcs/set PCB width : 16mm	US\$2.30

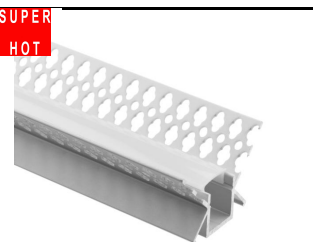
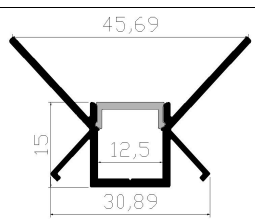
FW-3523			1m	profile: 1m/pc pc cover: 1m/pc end cap: 2pcs/set 2pcs/set  PCB width : 27mm	US\$4.59
FW-2530			1m	profile: 1m/pc pc cover: 1m/pc end cap: 2pcs/set clip: 2pcs/set PCB width : 21mm	US\$4.77
FW-1010	<b>SUPER HOT</b> 		1m	profile: 1m/pc pc cover: 1m/pc end cap: 2pcs/set clip: 2pcs/set PCB width : 8mm	US\$1.24
FW-1015	<b>SUPER HOT</b> 		1m	profile: 1m/pc pc cover: 1m/pc end cap: 2pcs/set clip: 2pcs/set PCB width : 8mm	US\$1.50
FW-1615	<b>SUPER HOT</b> 		1m	profile: 1m/pc pc cover: 1m/pc end cap: 2pcs/set clip: 2pcs/set PCB width : 8mm	US\$1.68
FW-1208	<b>SUPER HOT</b> 		1m	profile: 1m/pc pc cover: 1m/pc end cap: 2pcs/set clip: 2pcs/set	US\$1.24

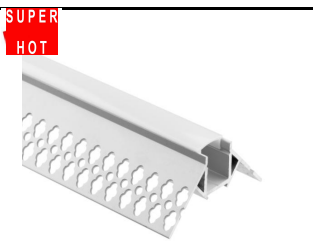
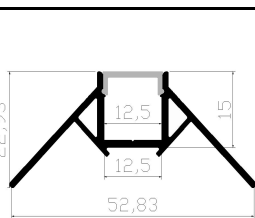
				PCB width : 10mm	
FW-1215			1m	profile: 1m/pc pc cover: 1m/pc end cap:2pcs/set clip:2pcs/set PCB width : 10mm	US\$1.68
FW-1815			1m	profile: 1m/pc pc cover: 1m/pc end cap:2pcs/set clip:2pcs/set PCB width : 10mm	US\$1.77
FW-1407			1m	profile: 1m/pc pc cover: 1m/pc end cap:2pcs/set clip:2pcs/set PCB width : 12mm	US\$1.32
FW-1415			1m	profile: 1m/pc pc cover: 1m/pc end cap:2pcs/set clip:2pcs/set PCB width : 12mm	US\$1.85
FW-2015			1m	profile: 1m/pc pc cover: 1m/pc end cap:2pcs/set clip:2pcs/set PCB width : 12mm	US\$1.85
FW-1610			1m	profile: 1m/pc pc cover: 1m/pc end cap:2pcs/set clip:2pcs/set	US\$1.59

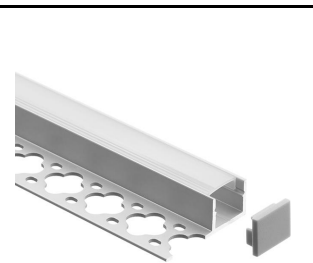
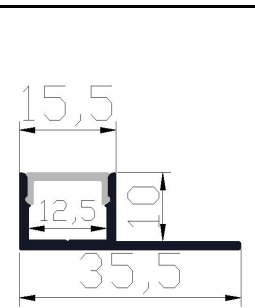


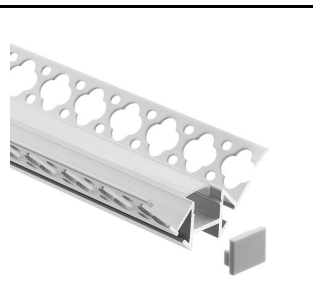
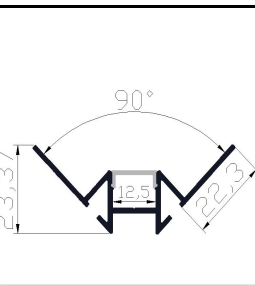
				PCB width : 13mm	
				IP65	
W-1610	<b>NEW</b> 		1m	aluminum profile: 1m/pc pc cover: 1m/pc end cap:2pcs/set clip:2pcs/set PCB width : 13mm	US\$1.68
				IP65	
FW-1612	<b>SUPER HOT</b> 		1m	aluminum profile: 1m/pc pc cover: 1m/pc end cap:2pcs/set clip:2pcs/set PCB width : 13mm	US\$1.77
				IP65	
W-1612	<b>NEW</b> 		1m	profile: 1m/pc pc cover: 1m/pc end cap:2pcs/set clip:2pcs/set PCB width : 13mm	US\$1.85
				IP65	
FW-1910			1m	profile: 1m/pc pc cover: 1m/pc end cap:2pcs/set clip:2pcs/set 12.5mm	US\$2.30
				IP65	
FW-2810	<b>NEW</b> 		1m	profile: 1m/pc pc cover: 1m/pc end cap:2pcs/set clip:2pcs/set 12.5mm	US\$2.47
				IP65	
	<b>SUPER HOT</b> 			profile: 1m/pc	

FW-5615			<table border="1"> <tr> <td>1m</td> <td>pc cover: 1m/pc</td> </tr> <tr> <td></td> <td>end cap: 2pcs/set</td> </tr> <tr> <td></td> <td>PCB width : 12mm</td> </tr> </table>	1m	pc cover: 1m/pc		end cap: 2pcs/set		PCB width : 12mm	US\$2.74
1m	pc cover: 1m/pc									
	end cap: 2pcs/set									
	PCB width : 12mm									



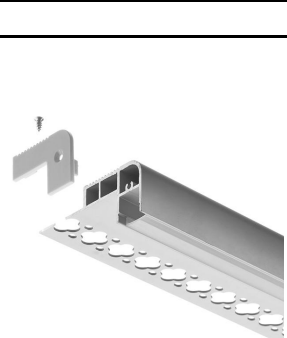
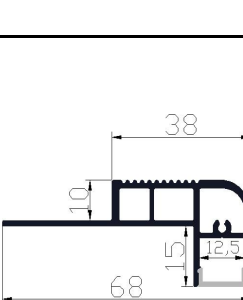
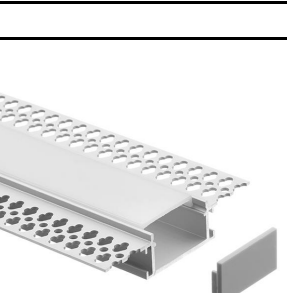
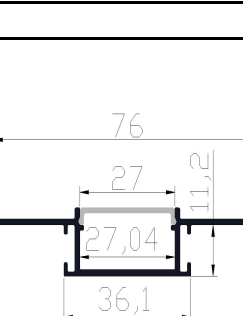
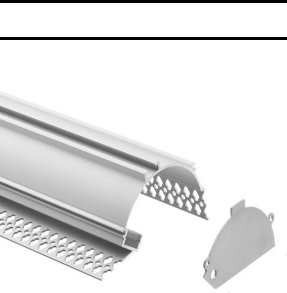
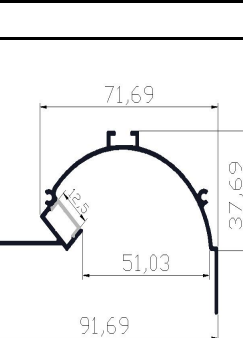
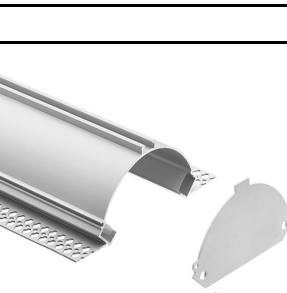
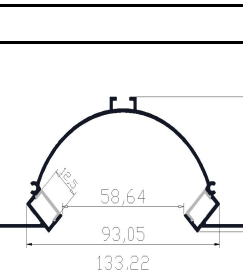
FW-4615			<table border="1"> <tr> <td>1m</td> <td>profile: 1m/pc</td> </tr> <tr> <td></td> <td>pc cover: 1m/pc</td> </tr> <tr> <td></td> <td>end cap: 2pcs/set</td> </tr> <tr> <td></td> <td>PCB width : 12mm</td> </tr> </table>	1m	profile: 1m/pc		pc cover: 1m/pc		end cap: 2pcs/set		PCB width : 12mm	US\$3.27
1m	profile: 1m/pc											
	pc cover: 1m/pc											
	end cap: 2pcs/set											
	PCB width : 12mm											



FW-5315			<table border="1"> <tr> <td>1m</td> <td>profile: 1m/pc</td> </tr> <tr> <td></td> <td>pc cover: 1m/pc</td> </tr> <tr> <td></td> <td>end cap: 2pcs/set</td> </tr> <tr> <td></td> <td>PCB width : 12mm</td> </tr> </table>	1m	profile: 1m/pc		pc cover: 1m/pc		end cap: 2pcs/set		PCB width : 12mm	US\$3.27
1m	profile: 1m/pc											
	pc cover: 1m/pc											
	end cap: 2pcs/set											
	PCB width : 12mm											

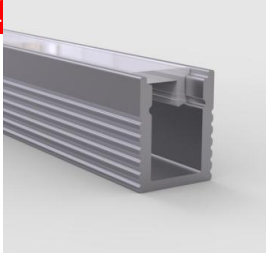
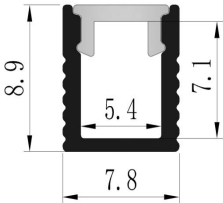
FW-3515			<table border="1"> <tr> <td>1m</td> <td>aluminum profile: 1m/pc</td> </tr> <tr> <td></td> <td>pc cover: 1m/pc</td> </tr> <tr> <td></td> <td>end cap: 2pcs/set</td> </tr> <tr> <td></td> <td>PCB width : 12mm</td> </tr> </table>	1m	aluminum profile: 1m/pc		pc cover: 1m/pc		end cap: 2pcs/set		PCB width : 12mm	US\$2.03
1m	aluminum profile: 1m/pc											
	pc cover: 1m/pc											
	end cap: 2pcs/set											
	PCB width : 12mm											


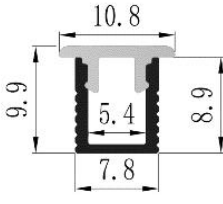
FW-5915			<table border="1"> <tr> <td>1m</td> <td>aluminum profile: 1m/pc</td> </tr> <tr> <td></td> <td>pc cover: 1m/pc</td> </tr> <tr> <td></td> <td>end cap: 2pcs/set</td> </tr> <tr> <td></td> <td>PCB width : 12mm</td> </tr> </table>	1m	aluminum profile: 1m/pc		pc cover: 1m/pc		end cap: 2pcs/set		PCB width : 12mm	US\$3.44
1m	aluminum profile: 1m/pc											
	pc cover: 1m/pc											
	end cap: 2pcs/set											
	PCB width : 12mm											

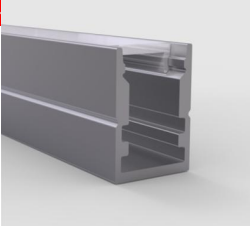
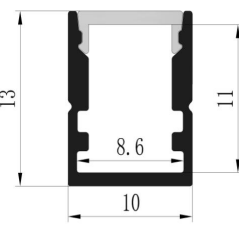
			<table border="1"> <tr> <td></td> <td>aluminum profile: 1m/pc</td> </tr> <tr> <td></td> <td>pc cover: 1m/pc</td> </tr> </table>		aluminum profile: 1m/pc		pc cover: 1m/pc	
	aluminum profile: 1m/pc							
	pc cover: 1m/pc							



FW-4128			1m	end cap:2pcs/set PCB width : 12mm	US\$3.09
FW-6826			1m	aluminum profile: 1m/pc pc cover: 1m/pc end cap:2pcs/set PCB width : 12mm	US\$6.53
FW-7613				aluminum profile: 1m/pc pc cover: 1m/pc end cap:2pcs/set PCB width : 27mm	US\$4.06
FW-9151				aluminum profile: 1m/pc pc cover: 1m/pc end cap:2pcs/set PCB width : 12mm	US\$8.12
FW-1335			1m	aluminum profile: 1m/pc pc cover: 1m/2pc end cap:2pcs/set	US\$10.95

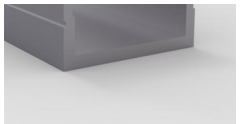

			PCB width : 12mm	
W-1201			1m aluminum profile: 1m/pc pc cover: 1m/1pc end cap:2pcs/set PCB width : 12mm	US\$8.12

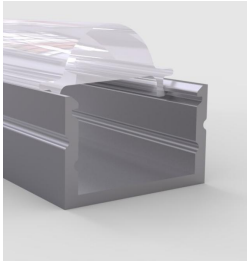
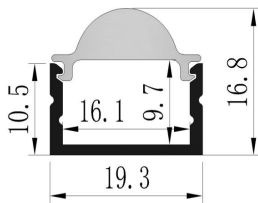
	<b>SUPER HOT</b> 		1m aluminum profile: 1m/pc pc cover: 1m/pc end cap:2pcs/set clip:2pcs/set PCB width : 5mm	US\$1.15
--	--	--	---	----------


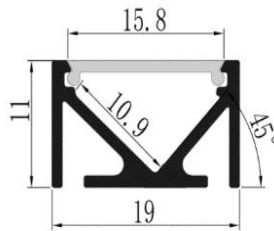
	<b>NEW</b> 		1m profile: 1m/pc pc cover: 1m/pc end cap:2pcs/set PCB width : 5mm	US\$1.24
--	---	---	--	----------


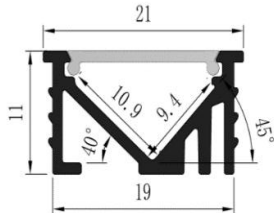
	<b>SUPER HOT</b> 		1m profile: 1m/pc pc cover: 1m/pc end cap:2pcs/set clip:2pcs/set PCB width : 8mm	US\$1.41
--	---	---	---	----------


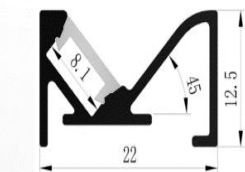
	<b>SUPER HOT</b> 		1m profile: 1m/pc pc cover: 1m/pc	US\$1.77
--	---	---	---	----------


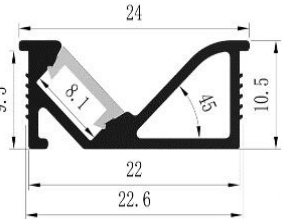
FW-2010			1m	<table border="1"> <tr><td>end cap:2pcs/set</td></tr> <tr><td>clip:2pcs/set</td></tr> <tr><td>PCB width : 17mm</td></tr> </table>	end cap:2pcs/set	clip:2pcs/set	PCB width : 17mm	US\$1.77
end cap:2pcs/set								
clip:2pcs/set								
PCB width : 17mm								


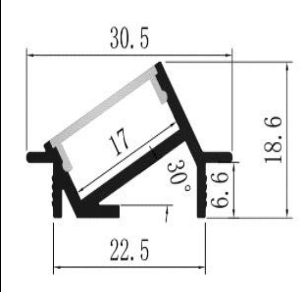
FW-1305	<b>SUPER HOT</b> 		1m	<table border="1"> <tr><td>profile: 1m/pc</td></tr> <tr><td>pc cover: 1m/pc</td></tr> <tr><td>end cap:2pcs/set</td></tr> <tr><td>clip:2pcs/set</td></tr> <tr><td>PCB width : 16mm</td></tr> <tr><td>the luminous angle is 30 degrees</td></tr> </table>	profile: 1m/pc	pc cover: 1m/pc	end cap:2pcs/set	clip:2pcs/set	PCB width : 16mm	the luminous angle is 30 degrees	US\$2.47
profile: 1m/pc											
pc cover: 1m/pc											
end cap:2pcs/set											
clip:2pcs/set											
PCB width : 16mm											
the luminous angle is 30 degrees											


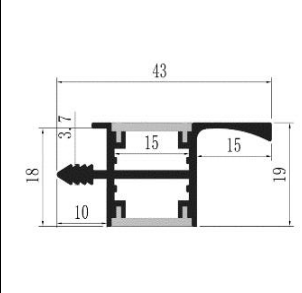
FW-1911	<b>NEW</b> 		1m	<table border="1"> <tr><td>aluminum profile: 1m/pc</td></tr> <tr><td>pc cover: 1m/pc</td></tr> <tr><td>end cap:2pcs/set</td></tr> <tr><td>clip:2pcs/set</td></tr> <tr><td>PCB width : 10mm</td></tr> </table>	aluminum profile: 1m/pc	pc cover: 1m/pc	end cap:2pcs/set	clip:2pcs/set	PCB width : 10mm	US\$1.85
aluminum profile: 1m/pc										
pc cover: 1m/pc										
end cap:2pcs/set										
clip:2pcs/set										
PCB width : 10mm										


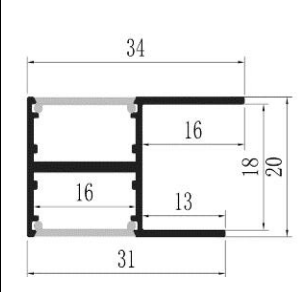
FW-2111	<b>NEW</b> 		1m	<table border="1"> <tr><td>aluminum profile: 1m/pc</td></tr> <tr><td>pc cover: 1m/pc</td></tr> <tr><td>end cap:2pcs/set</td></tr> <tr><td>PCB width : 10mm</td></tr> </table>	aluminum profile: 1m/pc	pc cover: 1m/pc	end cap:2pcs/set	PCB width : 10mm	US\$1.94
aluminum profile: 1m/pc									
pc cover: 1m/pc									
end cap:2pcs/set									
PCB width : 10mm									


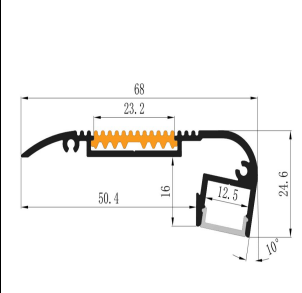
FW-2213			1m	<table border="1"> <tr><td>aluminum profile: 1m/pc</td></tr> <tr><td>pc cover: 1m/pc</td></tr> <tr><td>end cap:2pcs/set</td></tr> <tr><td>clip:2pcs/set</td></tr> <tr><td>PCB width : 8mm</td></tr> </table>	aluminum profile: 1m/pc	pc cover: 1m/pc	end cap:2pcs/set	clip:2pcs/set	PCB width : 8mm	US\$2.12
aluminum profile: 1m/pc										
pc cover: 1m/pc										
end cap:2pcs/set										
clip:2pcs/set										
PCB width : 8mm										


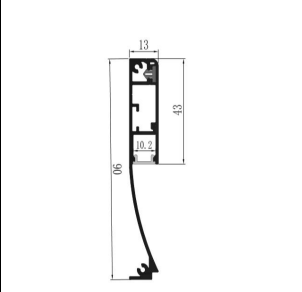
FW-2411			1m	<table border="1"> <tr><td>aluminum profile: 1m/pc</td></tr> <tr><td>pc cover: 1m/pc</td></tr> <tr><td>end cap:2pcs/set</td></tr> <tr><td>PCB width : 8mm</td></tr> </table>	aluminum profile: 1m/pc	pc cover: 1m/pc	end cap:2pcs/set	PCB width : 8mm	US\$2.12
aluminum profile: 1m/pc									
pc cover: 1m/pc									
end cap:2pcs/set									
PCB width : 8mm									

FW-3019			1m	aluminum	US\$2.56
				profile: 1m/pc	
				pc cover: 1m/pc	
				end cap: 2pcs/set	
				PCB width : 17mm	

FW-4319			1m	aluminum	US\$3.88
				profile: 1m/pc	
				pc cover: 1m/2pc	
				PCB width : 15mm	

FW-3420			1m	aluminum	US\$2.65
				profile: 1m/2pc	
				pc cover: 1m/pc	
				PCB width : 16mm	

FW-6725			1m	aluminum	US\$5.30
				profile: 1m/pc	
				pc cover: 1m/pc	
				prevent slippery film: 1m/pc	
				end cap: 2pcs/set	
				PCB width : 12mm	

FW-9013			1m	aluminum	US\$5.91
				profile: 1m/pc	
				pc cover: 1m/pc	
				end cap: 2pcs/set	
				PCB width : 10mm	

.baba.com

weight (kgs)

0.185

0.18

0.185

0.145

0.135

0.36

0.21

0.35

0.125

0.175



0.11

0.16

0.25

0.205

0.35

0.125

0.175

0.11

0.16

0.25

0.185

0.22

0.22

0.28

0.28

0.15

0.135

0.145

0.23

0.18

0.18

0.29

0.29

0.29
0.29
0.145
0.135
0.145

0.17

0.157

0.157

0.13

0.075

0.11

0.75

0.23

0.255

0.185

0.255

0.225

0.345

0.22

0.248

0.255



0.265

0.225

0.195

0.195

0.3

0.25

0.25

0.27

0.27

0.39

0.39

0.35

0.29

0.18

0.18

0.3

0.38

0.18

0.337

0.48

0.23

0.35

0.68

0.126

0.165

0.175

0.13

0.17

0.18

0.13

0.18

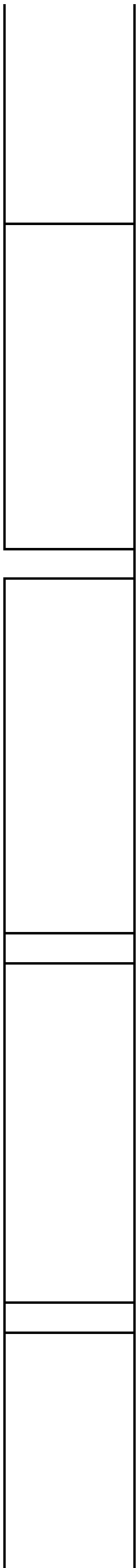
0.185

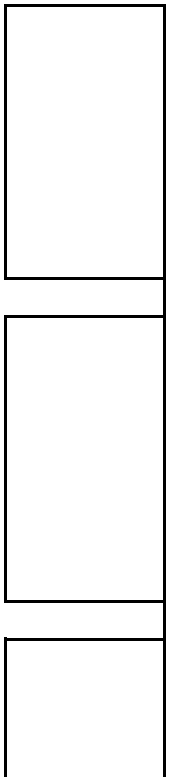
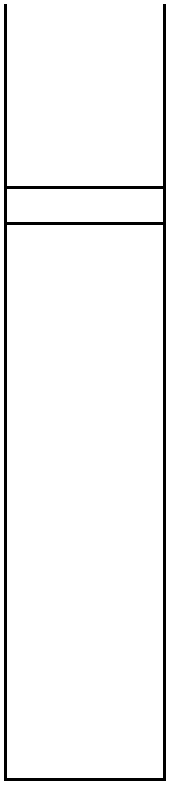
0.145

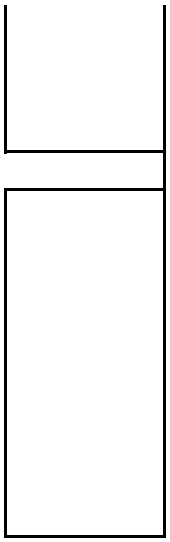
















**Farwise Technology Co., Ltd.**

District C, HuaXin industrial, Gaobu Town, Dongguan City, 523283, China


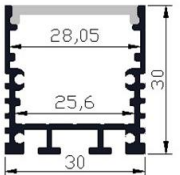
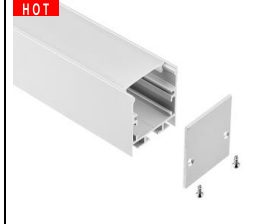
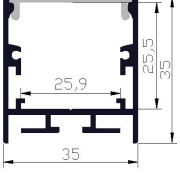

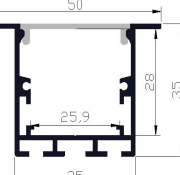

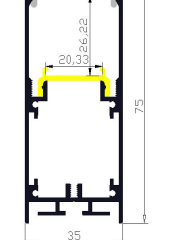
Contact: Cindy Yuan


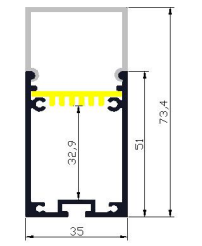

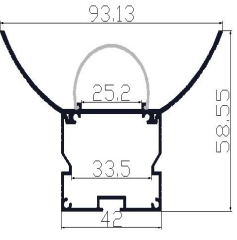

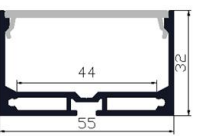

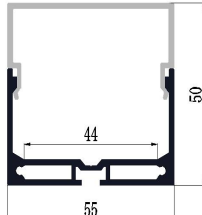
E-mail: sales06@dgfarwise.com


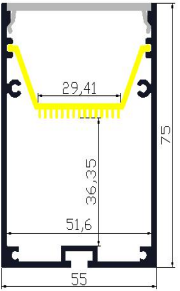
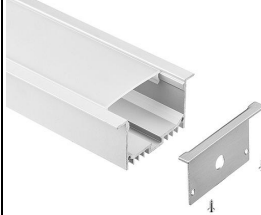
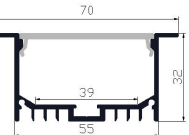
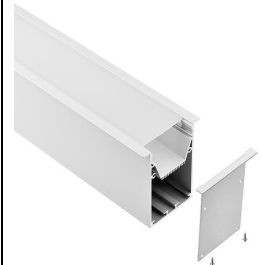
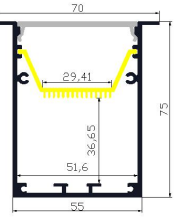
Tel: +86-18681062841

Web: www.farwise.en.alibaba.com

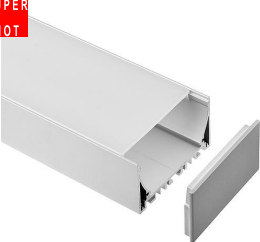
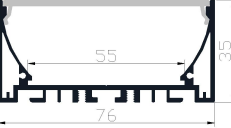
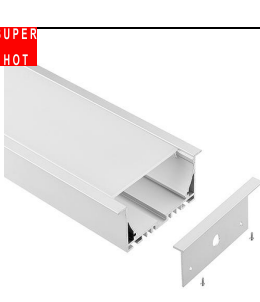
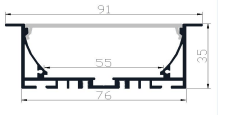
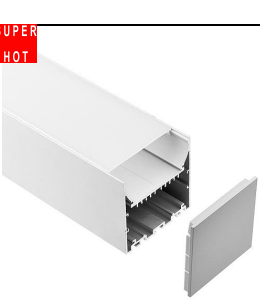
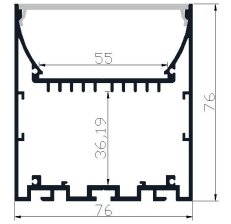
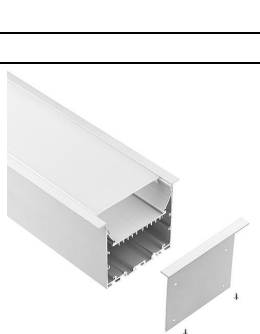
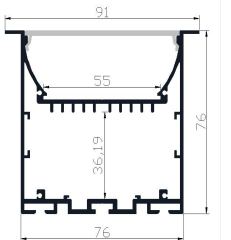
Item	picture	drawing	length	parts	unit price (USD\$) EXW	weight (kgs)
FW-60			1m	aluminum profile: 1m/pc PC cover : 1m/pc end cap: 2pcs/set / pcb width: 30mm  <i>can be equipped with hanging wire</i>	US\$7.42	0.65KG
FW-120			1m	aluminum profile: 1m/pc PC cover : 1m/pc end cap: 2pcs/set clip: 2pcs/set PCB width: 60mm  <i>can be equipped with hanging wire</i>	US\$15.71	1.58kg
FW-3830				aluminum profile: 1m/pc PC cover : 1m/pc end cap: 2pcs/set spring support : 2pcs/set PCB width: 27mm	US\$4.77	0.455

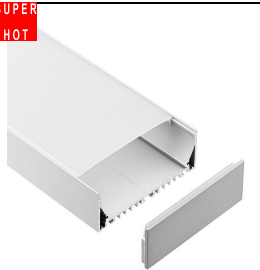
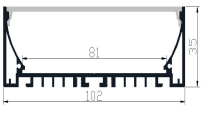
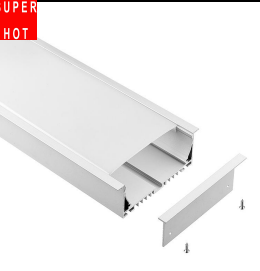
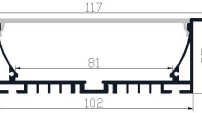
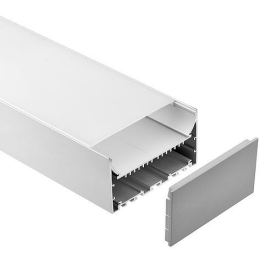
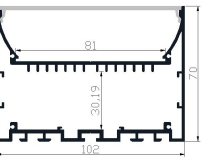
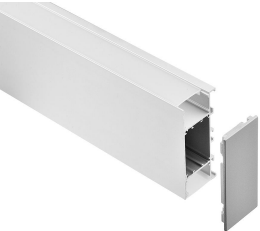
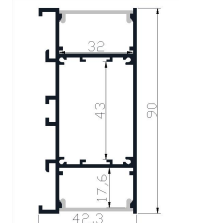
FW-3030			<p>1m</p> <p>aluminum profile:1m/pc</p> <p>PC cover :1m/pc</p> <p>end cap:2pcs/set</p> <p>clip:2pcs/set</p> <p>PCB width: 25/28mm</p> <p>can be equipped with hanging wire /</p>	US\$3.88	0.52
FW-3535	<p><b>SUPER HOT</b></p> 		<p>aluminum profile:1m/pc</p> <p>PC cover :1m/pc</p> <p>end cap:2pcs/set</p> <p>clip:2pcs/set</p> <p>PCB width: 25.5mm</p> <p>can be equipped with hanging wire /</p> <p>can be equipped with 90 degrees connector /</p> <p>can be equipped with T connector /</p> <p>can be equipped with + connector /</p>	US\$5.47	0.65
FW-5035	<p><b>SUPER HOT</b></p> 		<p>aluminum profile:1m/pc</p> <p>PC cover :1m/pc</p> <p>end cap:2pcs/set</p> <p>spring support :2pcs/set</p> <p>PCB width: 25.5mm</p> <p>can be equipped with 90 degrees connector /</p> <p>can be equipped with T connector /</p> <p>can be equipped with + connector /</p>	US\$6.36	0.715
FW-3575			<p>1m</p> <p>aluminum profile:1m/pc</p> <p>PC cover :1m/pc</p> <p>end cap:2pcs/set</p> <p>clip:2pcs/set</p> <p>PCB width: 20mm</p> <p>can be equipped with hanging wire /</p> <p>can be equipped with 90 degrees connector /</p> <p>can be equipped with T connector /</p> <p>can be equipped with + connector /</p>	US\$9.89	1.29


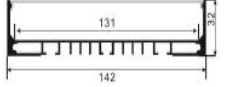

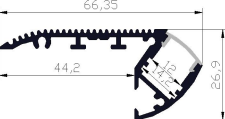
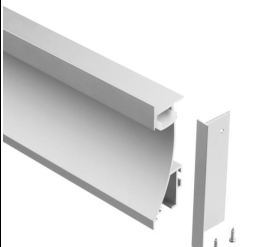
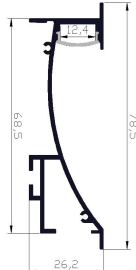

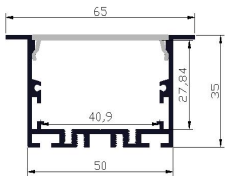
FW-3573			<p>1m</p> <p>aluminum profile:1m/pc</p> <p>PC cover :1m/pc</p> <p>end cap:2pcs/set</p> <p>clip:2pcs/set</p> <p>PCB width: 12mm</p> <p>can be equipped with hanging wire</p>		US\$9.71	
FW-9358			<p>1m</p> <p>aluminum profile:1m/pc</p> <p>PC cover :1m/pc</p> <p>end cap:2pcs/set</p> <p>clip:2pcs/set</p> <p>PCB width: 25mm</p> <p>can be equipped with hanging wire</p>		US\$7.59	
FW-5532			<p>1m</p> <p>aluminum profile:1m/pc</p> <p>PC cover :1m/pc</p> <p>end cap:2pcs/set</p> <p>clip:2pcs/set</p> <p>PCB width: 44mm</p> <p>can be equipped with hanging wire</p>		US\$7.95	
FW-5550			<p>1m</p> <p>can be equipped with hanging wire</p> <p>aluminum profile:1m/pc</p> <p>PC cover :1m/pc</p> <p>end cap:2pcs/set</p> <p>clip:2pcs/set</p> <p>PCB width: 44mm</p>		US\$8.83	

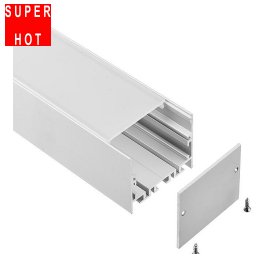
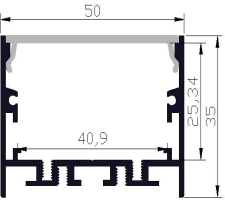
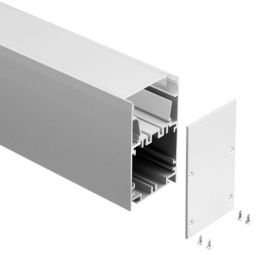
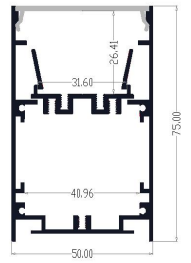
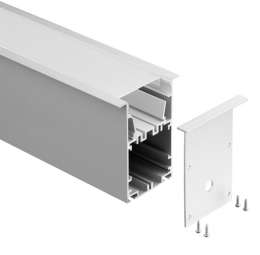
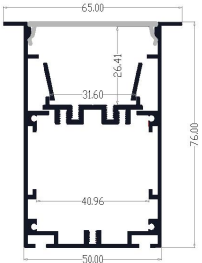
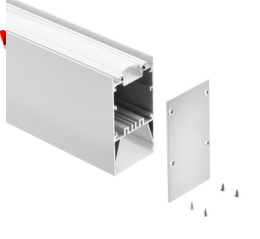
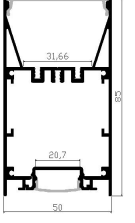
FW-5575	 <p>SUPER HOT</p>		<p>1m</p> <p>aluminum profile:1m/pc PC cover :1m/pc end cap:2pcs/set clip:2pcs/set PCB width: 29mm</p> <p>can be equipped with hanging wire /</p>			US\$12.36
FW-7032	 <p>SUPER HOT</p>		<p>1m</p> <p>aluminum profile:1m/pc PC cover :1m/pc end cap:2pcs/set suppot:2pcs/set PCB width: 39mm</p>			US\$7.59
FW-7075			<p>1m</p> <p>aluminum profile:1m/pc PC cover :1m/pc end cap:2pcs/set suppot:2pcs/set PCB width: 29mm</p>			US\$13.24


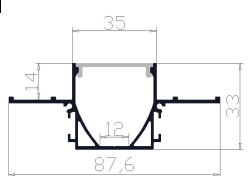
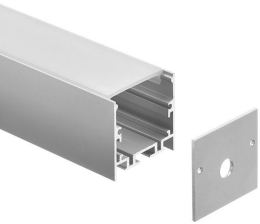
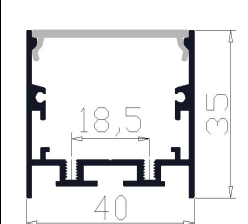
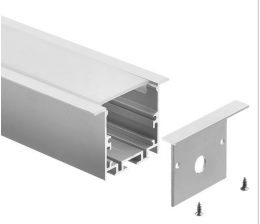
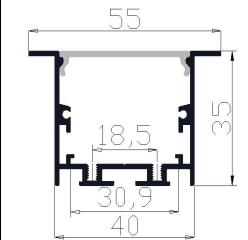
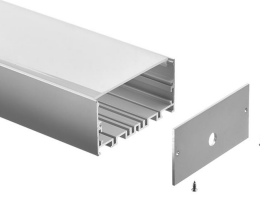
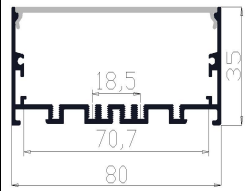


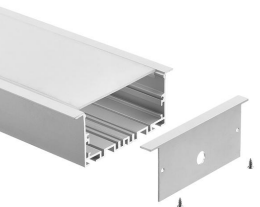
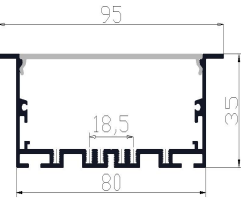
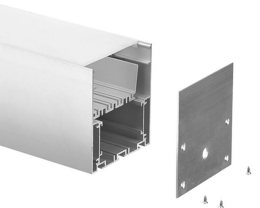
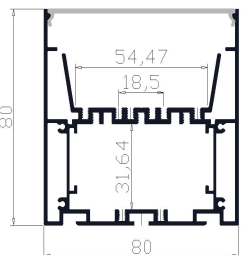
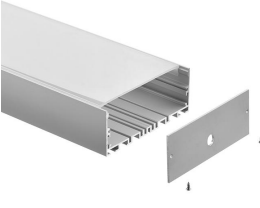
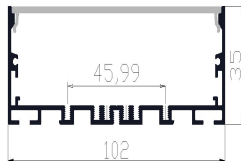
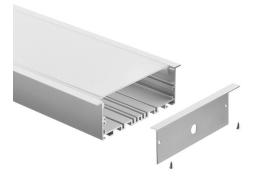
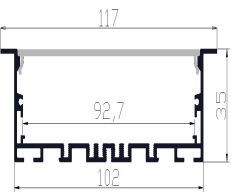
FW-7635			<p>1m</p> <p>aluminum profile:1m/pc</p> <p>PC cover :1m/pc</p> <p>end cap:2pcs/set</p> <p>clip:2pcs/set</p> <p>PCB width: 55mm</p> <p>can be equipped with hanging wire</p>	US\$9.71	1.26
FW-9135			<p>1m</p> <p>aluminum profile:1m/pc</p> <p>PC cover :1m/pc</p> <p>end cap:2pcs/set</p> <p>spring: 4pcs/set</p> <p>PCB width: 55mm</p>	US\$10.42	1.26
FW-9135			<p>1m</p> <p>aluminum profile:1m/pc</p> <p>PC cover :1m/pc</p> <p>end cap:2pcs/set</p> <p>clip:2pcs/set</p> <p>PCB width: 55mm</p> <p>can be equipped with hanging wire</p>	US\$15.01	2.13
FW-9176			<p>1m</p> <p>aluminum profile:1m/pc</p> <p>PC cover :1m/pc</p> <p>end cap:2pcs/set</p> <p>PCB width: 55mm</p>	US\$15.36	2.05

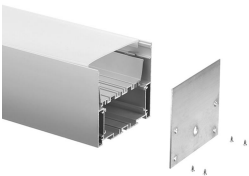
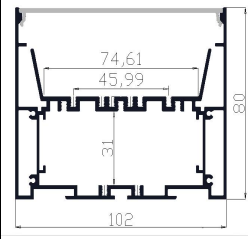
10235			1m	aluminum profile:1m/pc PC cover :1m/pc end cap:2pcs/set clip:2pcs/set PCB width: 81mm  can be equipped with hanging wire /		US\$11.12	
FW-11735				aluminum profile:1m/pc PC cover :1m/pc end cap:2pcs/set spring: 4pcs/set PCB width: 81mm		US\$12.18	
FW-10270			1m	aluminum profile:1m/pc PC cover :1m/pc end cap:2pcs/set clip:2pcs/set PCB width: 81mm  can be equipped with hanging wire /		US\$17.30	
FW-4290			1m	aluminum profile:1m/pc PC cover :1m/pc end cap:2pcs/set clip:2pcs/set PCB width: 32mm		US\$10.95	1.43KG

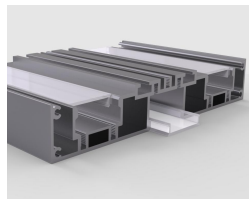
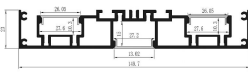
FW-14232			1m	aluminum profile:1m/pc PC cover :1m/pc / clip:2pcs/set PCB width: 131mm	US\$15.01	
FW-6728			1m	aluminum profile:1m/pc PC cover :1m/pc end cap:2pcs/set / PCB width: 12/14mm	US\$4.94	0.732
FW-6916			1m	aluminum profile:1m/pc PC cover :1m/pc end cap:2pcs/set springsupport: 4pcs/set PCB width: 12mm	US\$5.83	
FW-6535			1m	aluminum profile:1m/pc PC cover :1m/pc end cap:2pcs/set springsupport: 4pcs/set PCB width: 40.5mm  can be equipped with 90 degrees connector , T connector, + connector	US\$7.59	


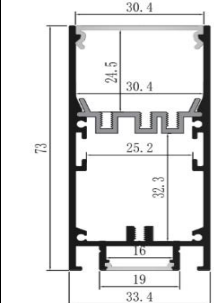
FW-5036			<p>1m</p> <p>aluminum profile:1m/pc</p> <p>PC cover :1m/pc</p> <p>end cap:2pcs/set</p> <p>clip:2pcs/set</p> <p>PCB width: 40.5mm</p> <p>can be equipped with hanging wire /</p> <p>can be equipped with 90 degrees connector /</p> <p>, T connector, + connector /</p>		US\$6.53	
FW-5075			<p>1m</p> <p>aluminum profile:1m/pc</p> <p>PC cover :1m/pc</p> <p>end cap:2pcs/set</p> <p>clip:2pcs/set</p> <p>PCB width: 31mm</p> <p>can be equipped with hanging wire /</p> <p>can be equipped with 90 degrees connector /</p> <p>can be equipped with T connector /</p> <p>can be equipped with + connector /</p>		US\$12.01	
FW-6575			<p>1m</p> <p>aluminum profile:1m/pc</p> <p>PC cover :1m/pc</p> <p>end cap:2pcs/set</p> <p>clip:2pcs/set</p> <p>PCB width: 31mm</p> <p>can be equipped with 90 degrees connector /</p> <p>can be equipped with T connector /</p> <p>can be equipped with + connector /</p>		US\$12.71	
FW-5085			<p>1m</p> <p>aluminum profile:1m/pc</p> <p>PC cover :1m/pc</p> <p>end cap:2pcs/set</p> <p>clip:2pcs/set</p> <p>PCB width: 31mm</p> <p>can be equipped with 90 degrees connector /</p> <p>, T connector, + connector /</p> <p>can be luminous up and down /</p>		US\$12.89	

FW-8833			1m	aluminum profile:1m/pc PCcover: 1m/2pcs end cap:2pcs/set PCB width: 12mm		US\$7.06	
FW-4035			1m	aluminum profile:1m/pc PC cover :1m/pc end cap:2pcs/set clip:2pcs/set pcb width:30mm can be equipped with 90 degrees connector , T connector, + connector  can be equipped with hanging wire	/	US\$6.00	
FW-5535			1m	aluminum profile:1m/pc PC cover :1m/pc end cap:2pcs/set spring supnot :2pcs/set pcb width:30mm can be equipped with 90 degrees connector can be equipped with T connector can be equipped with + connector	/	US\$7.06	
FW-8035			1m	aluminum profile:1m/pc PC cover :1m/pc end cap:2pcs/set clip:2pcs/set PCB width: 70mm can be equipped with 90 degrees connector can be equipped with T connector can be equipped with + connector  can be equipped with hanging wire	/	US\$9.00	

FW-9535			<p>1m</p> <p>aluminum profile:1m/pc</p> <p>PC cover :1m/pc</p> <p>end cap:2pcs/set</p> <p>spring support :2pcs/set</p> <p>PCB width: 70mm</p> <p>can be equipped with 90 degrees connector /</p> <p>can be equipped with T connector /</p> <p>can be equipped with + connector /</p>		US\$10.42	
FW-8080			<p>1m</p> <p>aluminum profile:1m/pc</p> <p>PC cover :1m/pc</p> <p>end cap:2pcs/set</p> <p>install card frame: 2pcs/set</p> <p>support:2pcs/set</p> <p>PCB width: 54mm</p> <p>can be equipped with 90 degrees connector /</p> <p>can be equipped with T connector /</p> <p>can be equipped with + connector /</p> <p>can be equipped with hanging wire /</p>		US\$17.13	
FW-10236			<p>1m</p> <p>aluminum profile:1m/pc</p> <p>PC cover :1m/pc</p> <p>end cap:2pcs/set</p> <p>clip:2pcs/set</p> <p>PCB width: 92mm</p> <p>can be equipped with 90 degrees connector , T connector, + connector /</p> <p>can be equipped with hanging wire /</p>		US\$10.42	
FW-11736			<p>1m</p> <p>aluminum profile:1m/pc</p> <p>PC cover :1m/pc</p> <p>end cap:2pcs/set</p> <p>spring support :2pcs/set</p> <p>PCB width: 92mm</p> <p>can be equipped with 90 degrees connector , T connector, + connector /</p>		US\$11.48	

FW-10280			1m	aluminum profile:1m/pc		US\$19.78	
				PC cover :1m/pc			
				end cap:2pcs/set			
				install card frame: 2pcs/set			
				suppot:2pcs/set			
				PCB width: 54mm			
can be equipped with 90 degrees connector	/						
can be equipped with T connector	/						
can be equipped with + connector	/						
can be equipped with hanging wire	/						

FW-15023			1m	aluminum profile:1m/pc		US\$16.77	
				PC cover :1m/pc			
				end cap:2pcs/set			
				PCB width: 27mm			
				can be equipped with hanging wire			

FW-3373			1m	aluminum profile:1m/pc		US\$9.89	
				PC cover :1m/pc			
				end cap:2pcs/set			
				install card frame: 2pcs/set			
				PCB width: 24mm			
				can be equipped with 90 degrees connector	/		
can be equipped with T connector	/						
can be equipped with + connector	/						
can be equipped with hanging wire	/						










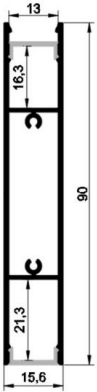
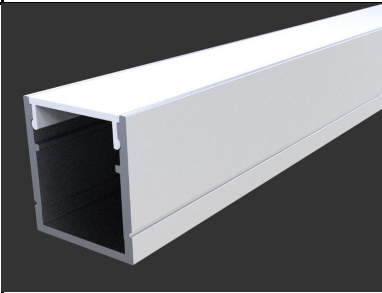
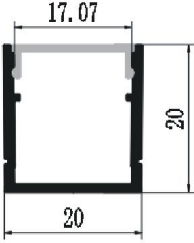
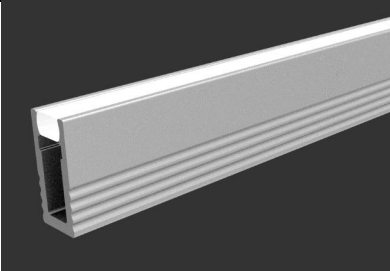
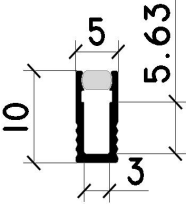
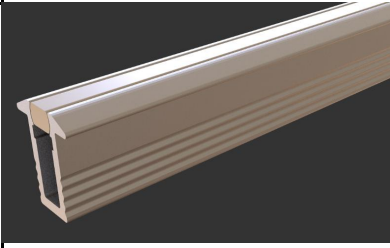
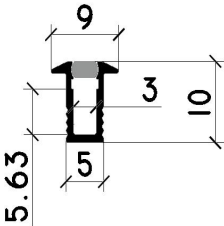
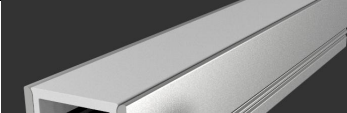

# Farwise Technology Co.

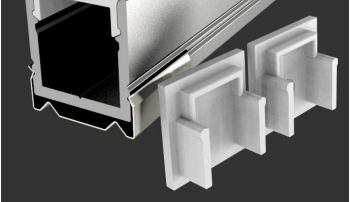
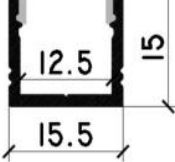
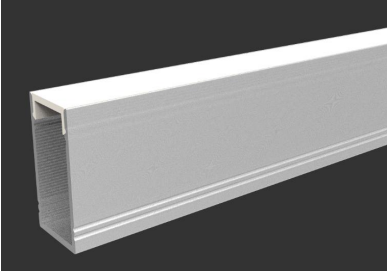
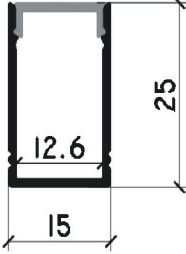
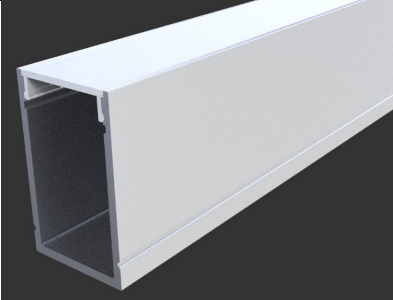
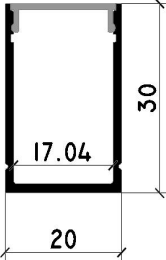
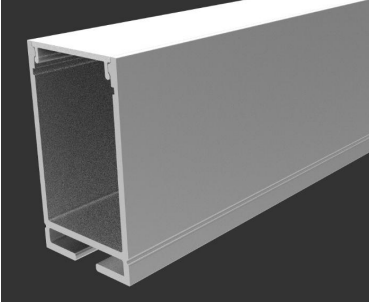
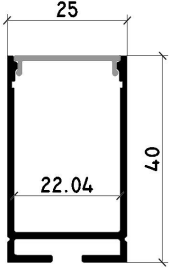
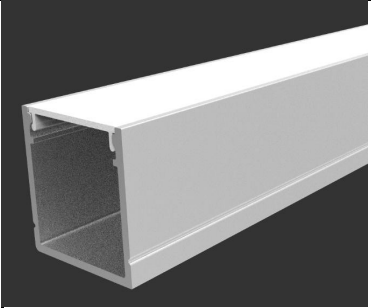
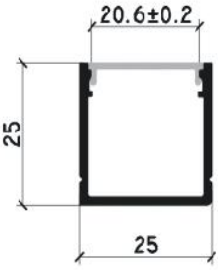
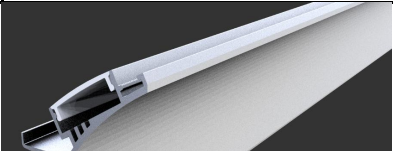
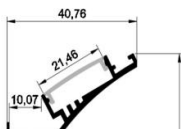
District C, HuaXin industrial, Gaobu Town, Dongguan


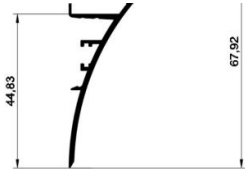

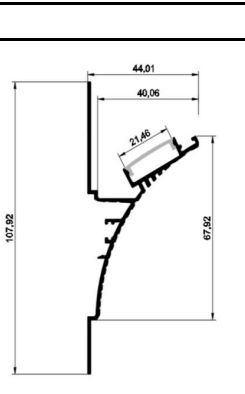
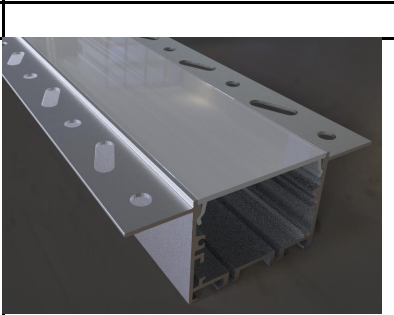
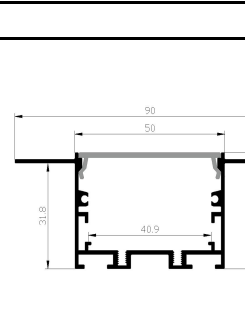
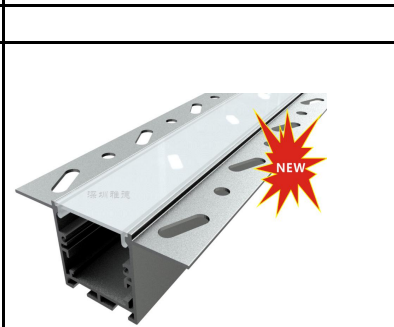
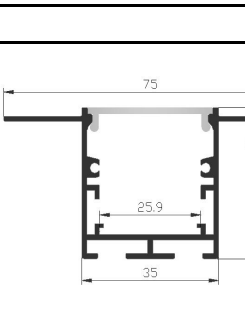
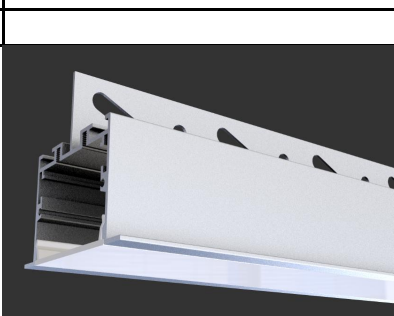
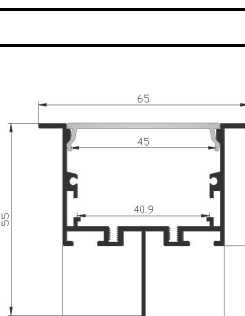
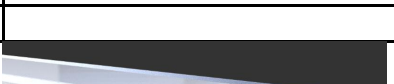

Contact: Cindy Yuan

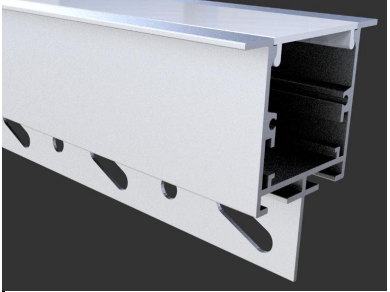
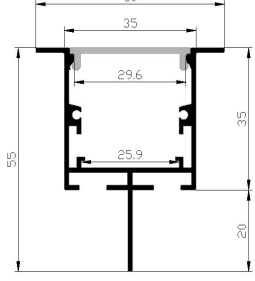
E-mail: sales06@dgarwise.com

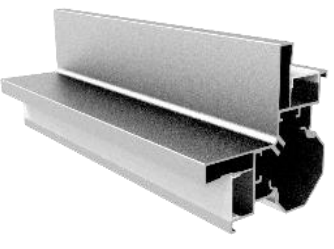
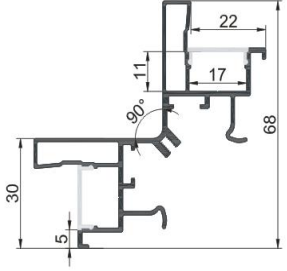
Tel: +86-1868106


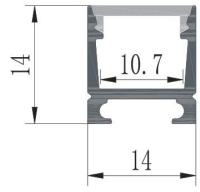
Item	picture	drawing	length	parts
1	1590			aluminum profil pc cover:lpc end cap:2pcs clip:2pcs  nstallation wa
2	2020S			aluminum profil pc cover:lpc: 1 end cap:2pcs clip:2pcs  nstallation wa
4	1005			aluminum profil pc cover:lpc: 1 end cap:2pcs  nstallation wa
5	1009			aluminum profil pc cover:lpc: 1 end cap:2pcs clip:2pcs  nstallation wa
				aluminum profil pc cover:lpc: 1

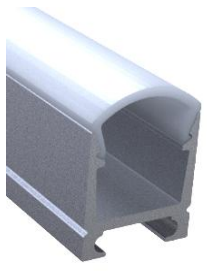
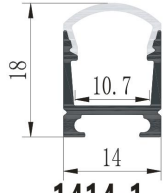
6	1516			end cap:2pcs clip:2pcs installation way
7	1525			aluminum profil pc cover:lpc: 1 end cap:2pcs clip:2pcs installation way
8	2030			aluminum profil pc cover:lpc: 1 end cap:2pcs clip:2pcs installation way
9	2540			aluminum profil pc cover:lpc: 1 end cap:2pcs clip:2pcs installation way
10	2525			aluminum profil pc cover:lpc: 1 end cap:2pcs clip:2pcs installation way
				aluminum profil pc cover:lpc: 1 end cap:2pcs

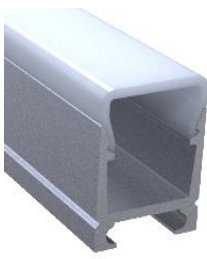
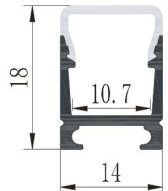
11	4168			<p>aluminum clip:</p> <p>Installation way</p>
12	44108			<p>aluminum profil</p> <p>pc cover:lpc: 1</p> <p>lm suit: 1205</p> <p>end cap:2pcs (r</p> <p>plastic card: 1</p> <p>Installation way</p>
13	9035-T			<p>aluminum profil</p> <p>pc cover:lpc: 1</p> <p>end cap:2pcs</p> <p>Installation way</p>
14	7535			<p>aluminum profil</p> <p>pc cover:lpc: 1</p> <p>end cap:2pcs</p> <p>Installation way</p>
15	6535-T			<p>aluminum profil</p> <p>pc cover:lpc: 1</p> <p>end cap:2pcs</p> <p>Installation way</p>
				



16	5055			<p>aluminum profil pc cover:lpc: 1 end cap:2pcs</p> <p>installation way</p>
----	------	---	--	---

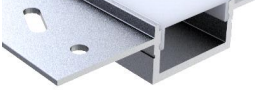
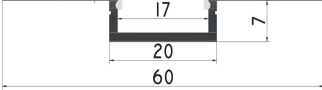
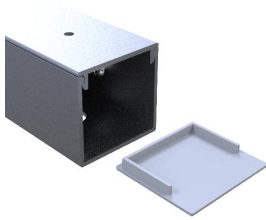
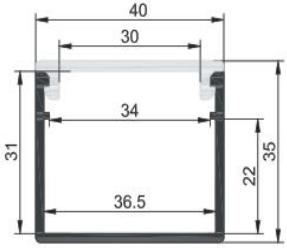
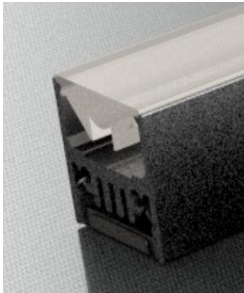
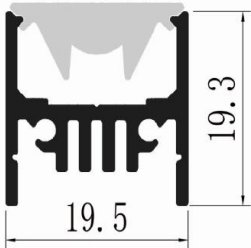
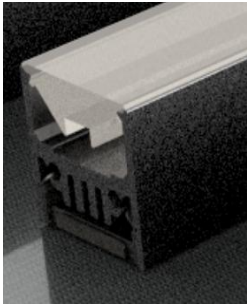
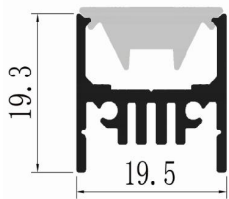
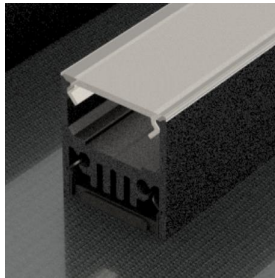
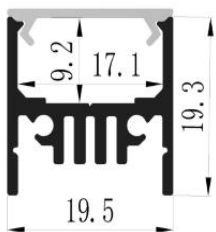
17	YD-6868			<p>aluminum profil PCB wildth: 17MM pc cover:lpc: 2 end cap:2pcs (r</p> <p>installation</p>
----	---------	---	--	---

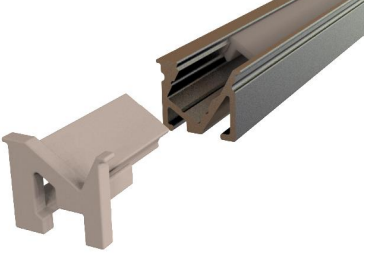
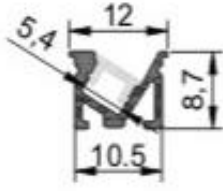
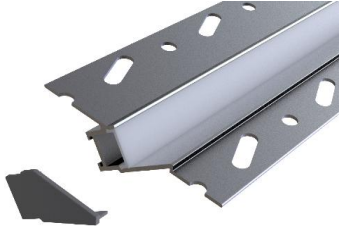
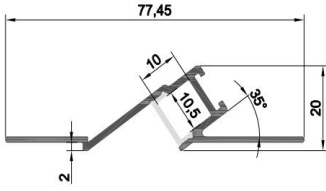

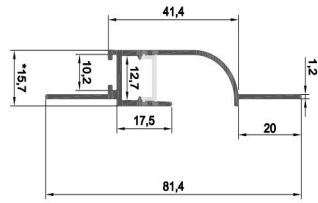
18	YD-1414 magnet灯		 <b>1414</b>	<p>aluminum profil PCBwildth: 10.7 pc cover:lpc: 1 end cap:2pcs (w</p> <p>installation</p>
----	--------------------	--	--	--

19	YD-1414-1 magnet灯		 <b>1414-1</b>	<p>aluminum profil PCBwildth: 10.7 pc cover:lpc: 1 end cap:2pcs (w</p> <p>installation</p>
----	----------------------	---	---	--

20	YD-1414-2 magnet灯		 <b>1414-2</b>	<p>aluminum profil PCBwildth: 10.7 pc cover:lpc: 1 end cap:2pcs (w</p> <p>installation</p>
----	----------------------	---	---	--

21	YD-6010			<p>aluminum profil PCBwildth: 17MM pc cover:lpc: 1 end cap:2pcs (w</p>
----	---------	---	--	--

21				installation
22	YD-box-01			hanging aluminum hanging plate: hanging wire: 6 end cap: 2pc no installation
23	YD-1919-30度			hanging aluminum Acrylic lamp shade clip: 2pcs magnet: 2pc installation
24	YD-1919-60度			hanging aluminum Acrylic lamp shade clip: 2pcs magnet: 2pc installation
25	YD-1919			hanging aluminum Acrylic lamp shade clip: 2pcs magnet: 2pc installation

26	0			<p>hanging aluminum pc cover:1pc: C clip:2pcs end cap:2pcs</p> <p>installation</p>
27	YD-7720			<p>hanging aluminum pc cover:1pc: 1 end cap:2pcs</p> <p>installation</p>
28	YD-8115			<p>hanging aluminum pc cover:1pc: 1 end cap:2pcs</p> <p>installation</p>

, Ltd.

City, 523283, China

2841 Web: [www.farwise.en.alibaba.com](http://www.farwise.en.alibaba.com)

	unit price (US)
including	US\$6.18
e :lm	
clip:2pcs	
hanging wire:2sets	
hanging plate:2pcs	
hanging wire sucker :2sets	
including	US\$2.23
e :lm	
pc	
clip:2pcs	
including	US\$1.06
e :lm	
pc	
clip:2pcs	
including	US\$1.15
e :lm	
pc	
embeded	
including	US\$1.50
e :lm	
pc	

clip:2pcs	
including	
e :lm	
pc	US\$1.94
clip:2pcs	
including	
e :lm	
pc	US\$2.83
clip:2pcs	
including	
e :lm	
pc	US\$3.70
clip:2pcs	
hanging wire:2sets	
including	
e :lm	
pc	US\$2.65
clip:2pcs	
including	
e :lm	
pc	US\$5.12



1支	
aluminum clip: 一pc	
including	US\$7.59
e :lm	
pc	
to hole)	
pc	
recessed	
including	US\$7.41
e :lm	
pc	
recessed	
including	US\$6.36
e :lm	
pc	
recessed	
including	US\$7.42
e :lm	
pc	
suspended ceiling	
replace keel	
including	

ceiling	US\$6.36
1pc	
suspended ceiling	
replace keel	
including	
ceiling	US\$8.30
1M	
2pc(3019)	
(with or without hole)	
clip: 0pc	
hanging wire: 0set	
wall plate: 1pc	
hanging wire sucker: 0set	
including	
ceiling	US\$1.77
1MM	
1pc(1407)	
(with or without hole)	
clip:2pcs	
magnet: 2pc	
including	
ceiling	US\$1.85
1MM	
1pc	
(with or without hole)	
clip:2pcs	
magnet: 2pc	
including	
ceiling	US\$1.85
1MM	
1pc	
(with or without hole)	
clip:2pcs	
magnet: 2pc	
including	
ceiling	
1	
1pc (same as 2010)	
(with or without hole same as 2010)	

screw	US\$3.00	
recessed		
installation		
including		
mm: 0.4m	US\$4.24	
0.4m		
electric wire hanging wire		
hole		
screw		
including		remark
mm profile :lm	US\$4.24	1, the line is setted at the bottom. 2, 30degrees beam angle. 3, installation easily can install with clip or magnetic 4, the light is uniform.
made: lm		
screw		
including		
mm profile :lm	US\$4.24	1, the line is setted at the bottom. 2, 60degrees beam angle. 3, installation easily can install with clip or magnetic 4, the light is uniform.
made: lm		
screw		
including		
mm profile :lm	US\$2.91	1, the line is setted at the bottom. 2, 180degrees beam angle. 3, installation easily can install with clip or magnetic 4, the light is uniform.
made: lm		
screw		
including		

im profile :lm	US\$1.24	
.97m		
1. taping		
2. no need to make screw clip		
including		
im profile :lm	US\$3.44	
.m		
recessed installation		
including		
im profile :lm	US\$3.53	can see the light can't see the lamp
.m		
recessed installation		