

XPTN-9000-65-2GX16GP

MAIN FEATURES



**2*1000Base-X, 16*10/100/1000Base-T
Industrial Ethernet PoE Switches**

Input Voltage: DC12~58V(Non-PoE),
DC48-58V(PoE)

Operating Temperature: -40°C ~ +75°C

Shell: IP40 protection, fanless design

Test Report: CCC, RoHS, FCC, CE

Anti-static: 8KV-15KV

MTBF: 100000 Hour

PRODUCT DESCRIPTION

This device is 2*1000Base-X & 16*10/100/1000Base-T Industrial Ethernet PoE Switches. Through the fanless heat dissipation circuit design, wide range of working environment temperature, high protection level and other technologies, it provides excellent industrial quality with high/low temperature resistance and lightning protection, and enhances the reliability and safety of industrial networks. It can better meet the deployment requirements of rail transit, safe city, intelligent transportation, outdoor monitoring and other harsh environments.

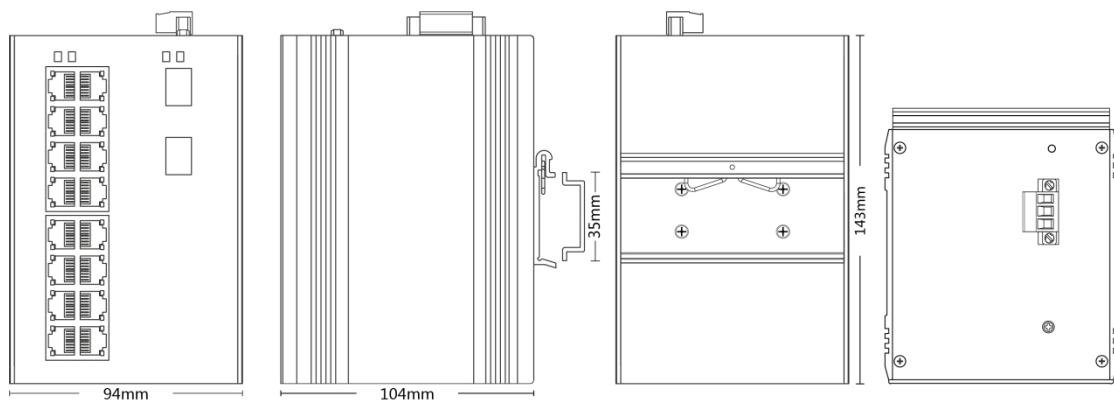
Scodena

PRODUCT PARAMETERS

| Provider Mode Ports | |
|---|---|
| Fixed port | 2*1000 Base-X, 16*10/100/1000Base-T |
| Power interface | Phoenix terminal, redundant dual power supply |
| LED Indicators | PWR, Link/ACT LED |
| Cable Type & Transmission Distance | |
| Twisted-pair | 0-100m (CAT5e,CAT6) |
| Monomode optical fiber | 20/40/60/80/100KM |
| Multimode (optical) fiber | 550m |
| Network Topology | |
| Ring topology | Unsupported |
| Star topology | Support |
| Bus topology | Support |
| Tree Topology | Support |
| Hybrid topology | Support |
| Electrical Specifications | |
| Input voltage | DC12-58V (Non-PoE) , DC48~58V(PoE) |
| Total Power consumption | <26W(Non-PoE); <386W(PoE) |
| PoE Support | |
| PoE port | 1~16 |
| PoE Protocol | 802.3af, 802.3at |
| Pin Assignment | 12+, 36- |
| Layer 2 Switching | |
| Switching capacity | 68G |
| Packet forwarding rate | 50.59Mpps |
| MAC address table | 16K |
| Buffer | 12M |
| Forwarding delay | <10us |
| MDX/MIDX | Support |
| Flow control | Support |
| Jumbo Frame | Support 10K Bytes |
| Environment | |
| Operating temperature | -40°C~+75°C The device is tested for 4 hours at temperatures in 85°C |
| Storage temperature | -40°C~+85°C |
| Relative humidity | 5%~95% non-condensing |
| Thermal methods | Fanless, natural cooling |
| MTBF | 100,000 hours |
| Mechanical Dimensions | |
| Product size | 94*104*143mm |
| Installation Method | DIN rail |
| Weight | 1KG around |

| EMC & Ingress Protection | |
|-------------------------------------|--|
| IP Level | IP40 |
| Surge protection of Power | IEC 61000-4-5 Level X (6KV/6KV) (8/20us) |
| Surge protection of Ethernet port | IEC 61000-4-5 Level X (4KV/4KV) (10/700us) |
| RS | IEC 61000-4-3 Level 3 (10V/m) |
| EFI | IEC 61000-4-4 Level 3 (1V/2V) |
| CS | IEC 61000-4-6 Level 3 (10V/m) |
| PFMF | IEC 61000-4-8 Level 4 (30A/m) |
| DIP | IEC 61000-4-11 Level 3 (10V) |
| ESD | IEC 61000-4-2 Level 4 (8K/15K) |
| Free fall | 0.5m |
| Authentication | |
| Authentication | CCC, CE, FCC, RoHS |
| Accessories | |
| Accessories | Device, Terminals, Specification, Certificate, power adapter(optional) |
| Optional model | |
| XPTN-9000-65-2GX16GT | 2*1000Mbps SFP Port 16*10/100/1000Mbps RJ45 Port |
| XPTN-9000-65-2GX16GP | 2*1000Mbps SFP Port 16*10/100/1000Mbps RJ45 Port, PoE & PoE+ |
| XPTN-9000-65-2GX16GPB | 2*1000Mbps SFP Port 16*10/100/1000Mbps RJ45 Port, PoE & PoE+, 2 Port support++ |

SIZE AND APPEARANCE



Front view

Side view

Back view

Top view

Scodena