

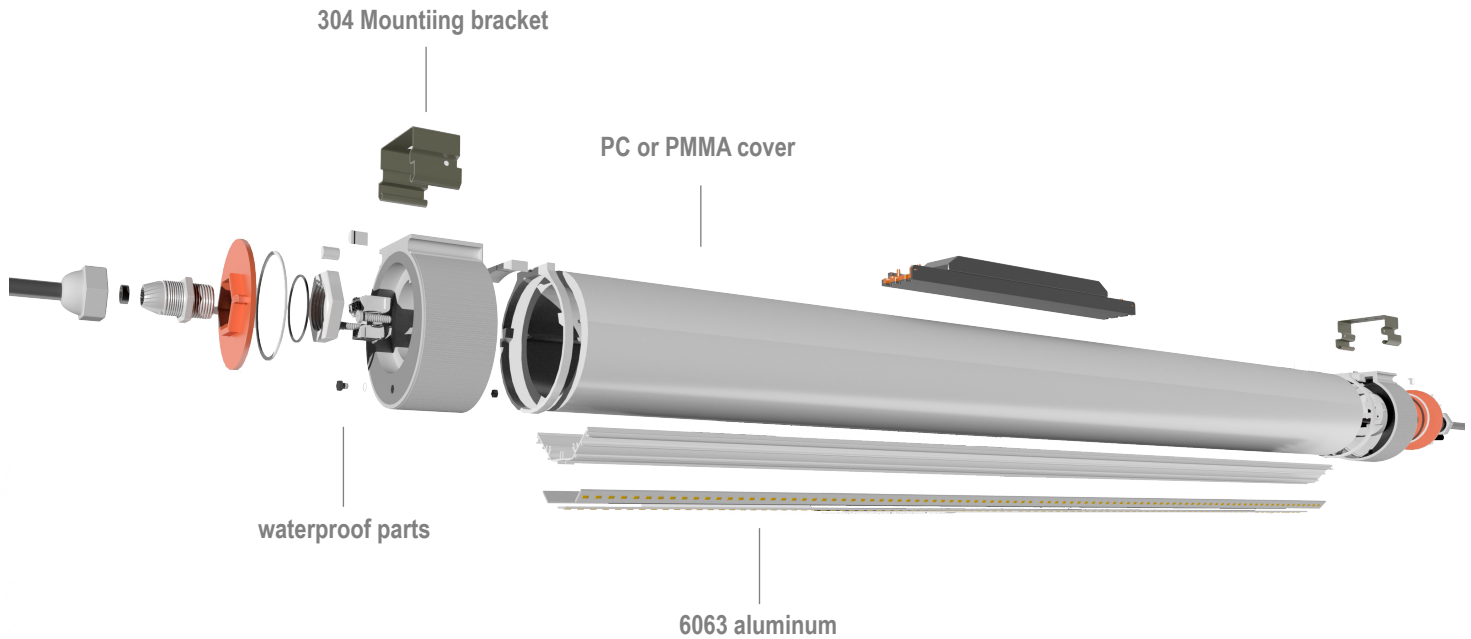
# LED TRI PROOF LIGHT

**LITE HOME**  
Focus on LED linear lighting



LiteHome high quality IP66 Tri-proof lights, which is anti-UV, easy to install, high efficiency, energy saving and eco friendly. It can be connected in series. With rotating parts, the light angle can be adjusted to 180 degree, widely used in factories, workshops, warehouses, gymnasiums, exhibition halls. especially ideal for food processing spaces and poultry farm.

## IP66 Tri proof LED Light Construction



- IP66K/ IK09
- SDCM 3 or 4
- Up to 160Lm/w
- Can be linkable
- Respirator design
- Non-flicker available
- Up to 70% energy saving
- PC/PMMA material available
- Fast fit and zero maintenance
- Microwave / Emergency / Dimmable available
- 76,000h ( L70B10 / Ta 25°C) 5 years warranty
- Wide use in commercial and industrial area
- Match International Food Safety (IFS), BRC and HACCP
- 850°C degree glow wire test available

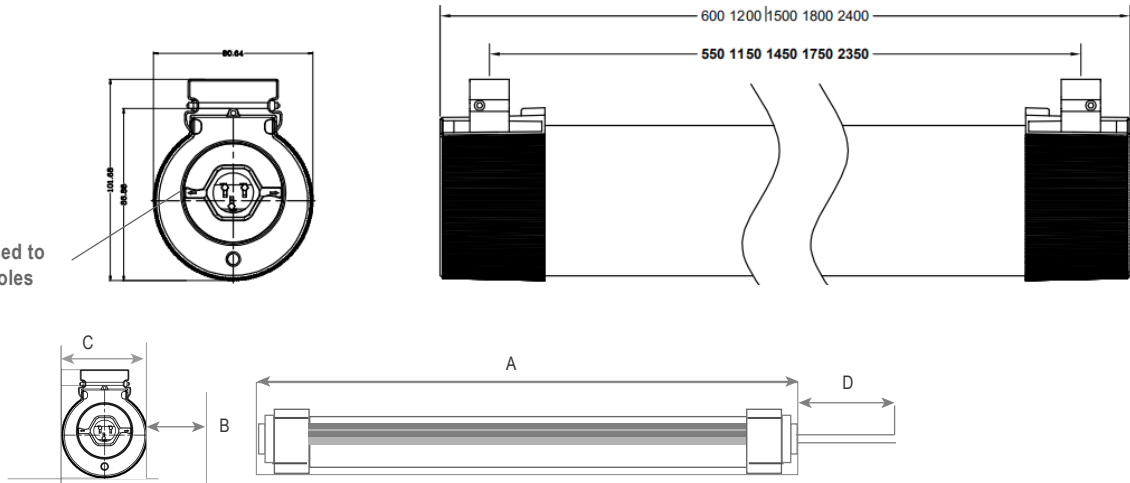
## SCOPE



## Product Dimension



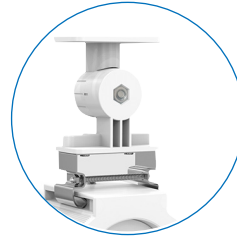
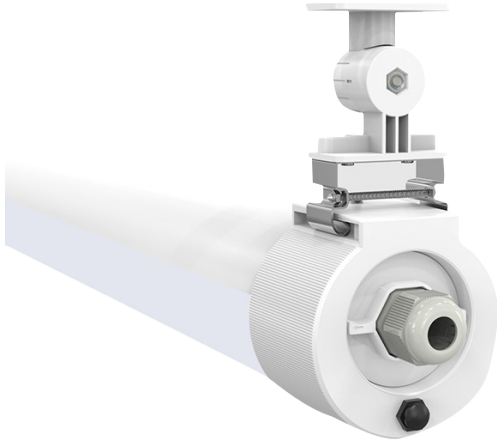
This position can be used to make holes or plug holes



Model NO	Size A(ft)	Size B(ft)	Size C(ft)	Size D(ft)
LH-TRA662-020	23.62"(600mm)	3.14"(80mm)	3.97"(101mm)	2.36"(60mm)
LH-TRA664-040	47.24"(1200mm)	3.14"(80mm)	3.97"(101mm)	2.36"(60mm)
LH-TRA665-050	59.05"(1500mm)	3.14"(80mm)	3.97"(101mm)	2.36"(60mm)
LH-TRA666-080	70.86"(1800mm)	3.14"(80mm)	3.97"(101mm)	2.36"(60mm)
LH-TRA668-100	94.48"(2400mm)	3.14"(80mm)	3.97"(101mm)	2.36"(60mm)

Model NO	LH-TRA662-020	LH-TRA664-040	LH-TRA665-050	LH-TRA666-80	LH-TRA668-100
Power	20W / 30W	40W / 50W	50W / 60W	80W	100W
Efficacy (Lm / W)	100 ~ 160LM / W				
Input Voltage	AC220 - AC240V				
DC Output	DC30 - 40V				
Emergency 3 Hours	Optional				
Lifespan 50K hrs	L80B10				
Lifespan	50K hrs / L80B10				
LED Chip	SANAN / APISTAR				
Warranty	5Years				
Certification	CE IP66 IK09				
LED Driver	Non - Dimmable / 0 / 1-10V Dimmable Dali Dimmable				

## Features



With the PC bracket and rotating parts, the lamp can be adjusted at any angle as you need. You can choose different installation ways like suspension, ceiling installation or wall-mounted installation.

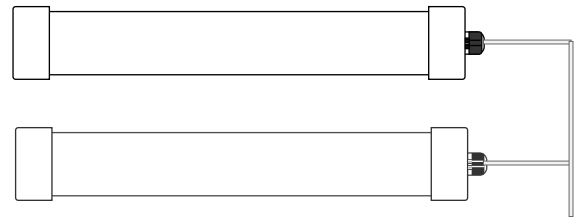
### Optional Accessories



### AU/EU market

1. Brown wire = L1
2. Green/Yellow wire =  $\text{⏚}$
3. Blue wire = N
4. Black wire = L2/DIM+/DA+
5. Green wire = L3/DIM-/DA-

### Parallel Connection

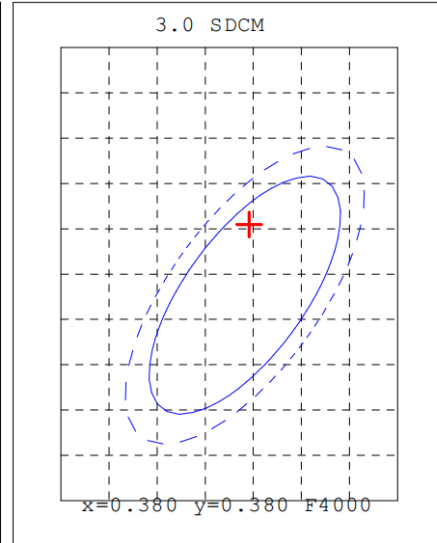
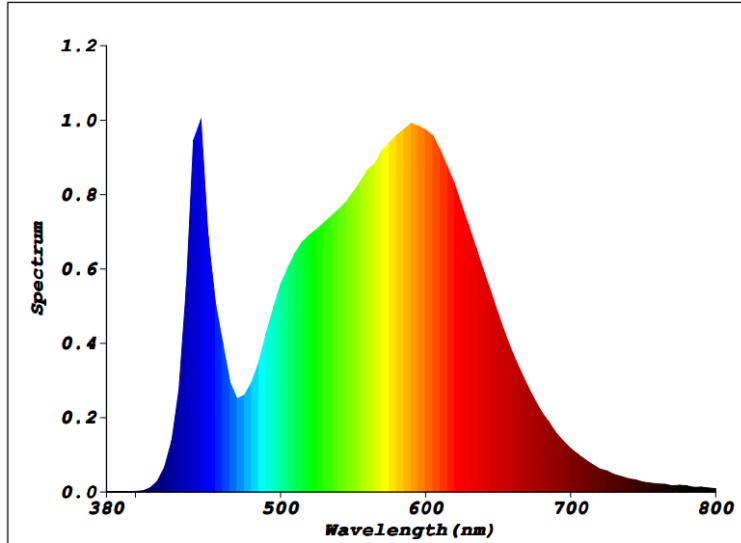


Power(W)	Input Voltage(AC)	Max series quantity PCS
20	200~240	40
30	200~240	26
40	200~240	20
50	200~240	16
60	200~240	13
80	200~240	10
100	200~240	8

### linkable



## Test Report

**Color Parameters:**

**Chromaticity Coordinate:**  $x=0.3804$   $y=0.3862$

**Chromaticity Coordinate:**  $u'=0.3804$   $v'=0.3862$  ( $duv=4.40e-03$ )

**Tc=4068K Dominant WL:Ld=576.6nm Purity=30.1% Centroid WL:567.0nm**

**Ratio:R=19.1% G=77.8% B=3.1% Peak WL:Lp=445.0nm HWL:21.3nm**

**Render Index:Ra=81.6**

**R1 =79 R2 =86 R3 =95 R4 =82 R5 =80 R6 =83 R7 =86**

**R8 =62 R9 =-2 R10=70 R11=82 R12=68 R13=80 R14=97 R15=71**

**Photo Parameters:**

**Flux: 5690.6 lm Fe: 17.007 W Efficacy:136.9 lm/W**

**Electrical Parameters:**

**Luminaire: U=229.6V I=0.1810A P=41.56W PF=0.9700**

**Instrument Status:**

**Scan Range:380.0nm-800.0nm Interval:5.0nm[0]**

**REF=36221 (R=4)**

**%=-0.019%**

**Ip=14022 (G=3,D=55)**

**PMT: 14.2 centigrade [20.4]**



## L/N Rules

LH- XX- X XX X -X X X - X X X X  
1 2 3 4 5 6 7 8 9 10

EX: LH- TR- A 66 2- 0 2 0 - O C W T  
1 2 3 4 5 6 7 8 9 10

1. LH - LiteHome
2. Light types (TR-Tri-Proof Light, LI- Linear Light, TM- Track Magnetic Light)
3. Light Serial No. (A: Serial A, B: Serial B, C: Serial C)
4. IP Grade(66-IP66, 67-IP67, 69-IP69)
- 5.Length (2:2ft, 3:3ft, 4:4ft, 5:5ft, 6:6ft, 8:8ft)
- 6.Power Consumption (020: 20W, 030: 30W, 040: 40W, 060: 60W, 080: 80W, 100: 100W)
- 7.End Cap Color (O-Orange, B-Blue, W-White)
- 8.Function (A: Undimmable, C: 0/1-10V Dimmable, D: DALI Dimmable)
- 9.Color Temperature (W: 2700-4500K, P: 5000-5500K, C: 6000-7500K)
- 10.Cover (T-Transparent, F- Frosted)

## PACKING DATA

Item Code	N/W(kg) 6pcs/ctn	G/W(kg) 6pcs/ctn	Dimension(ctn)	20'GP	40'GP	40'HQ
LH-TRA662-020-XXXX	4.50	6.00	750mmX265mmX195mm	1102ctns	2249ctns	2537ctns
LH-TRA664-040-XXXX	7.50	10.50	1350mmX265mmX195mm	552ctns	1124ctns	1268ctns
LH-TRA665-050-XXXX	9.00	12.80	1650mmX265mmX195mm	413ctns	843ctns	1068ctns
LH-TRA666-080-XXXX	10.50	14.00	1950mmX265mmX195mm	330ctns	674ctns	761ctns
LH-TRA668-100-XXXX	13.20	18.50	2550mmX265mmX195mm	254ctns	519ctns	585ctns

