



MMA IV-series IGBT

MMA IV-series IGBT

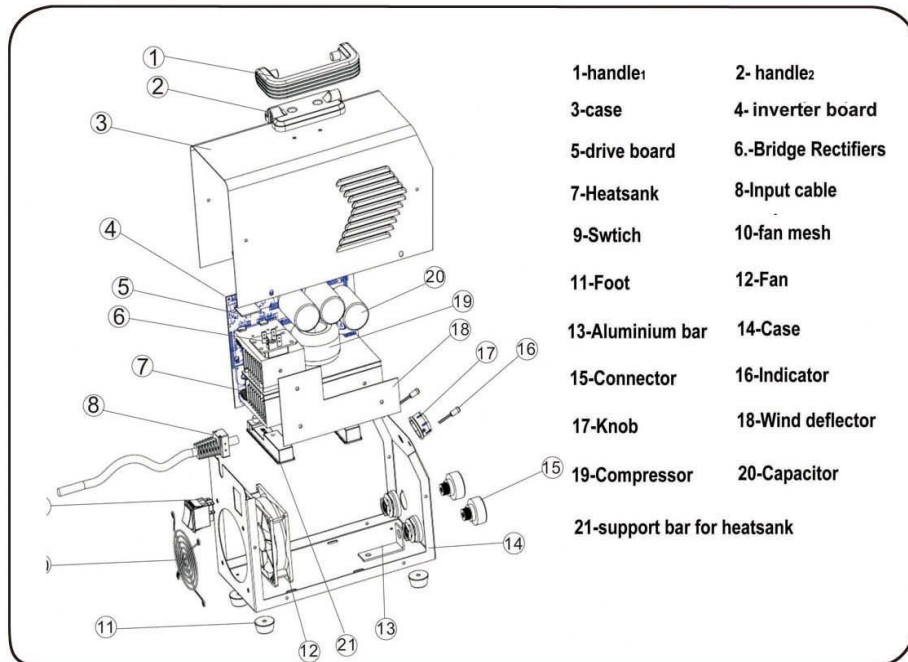


MMA

Economic MINI IGBT series



- Module design, easy for maintenance
- Compact and portable to carry
- Overheating, over voltage, undervoltage and overcurrent protection
- 80% efficiency improves the welding performance greatly
- Unique design of heat dissipation with 60% duty cycle
- Special driving board ensure the welders high reliability and stability



Specials for MMA-X series: Economic for DIY use, Hot start, Anti-Stick

- 1.Economic price for DIY use.
- 2.Hot start enables you to start welding easily
- 3.Anti-stick enables you to separate the electrode easily without reddenng

TECHNICAL DATA

Model	X120A-IV	X140A-IV	X160A-IV	X180A-IV
Input voltage(V)	AC 220V ±15% 50Hz		AC 220V ±15% 50Hz	
Output current(A)	120	145	160	180
No-load voltage(V)	62	62	62	62
Input current(A)	15.5	19	21	23.5
Duty cycle at 25°C	100%	100%	100%	100%
Efficiency	80%	80%	80%	80%
Power factor	0.92	0.92	0.92	0.92
Electrode Dia.(mm)	1.6-2.5	1.6-3.2	1.6-3.2	1.6-4.0
Protection class	IP21S	IP21S	IP21S	IP21S
Overall Dimension(MM)	292*127*196	292*127*196	292*127*196	292*127*196
Weight(KGS)	4.9	4.9	5.1	5.1
Packing size(MM)	33*17.5*31	33*17.5*31	33*17.5*31	33*17.5*31