

WP-S20

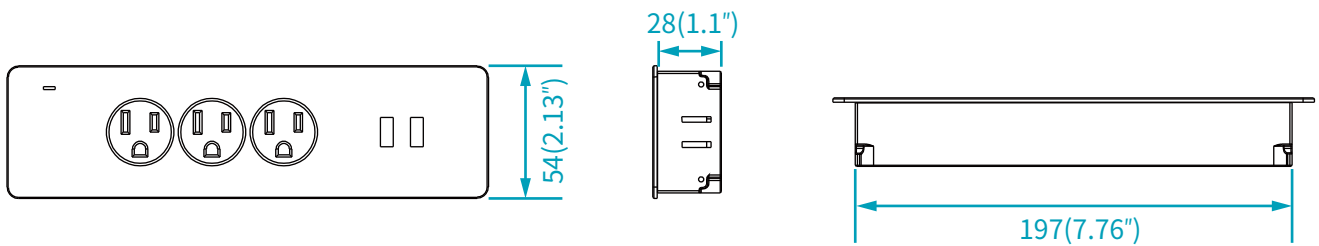


WISTOHT



Product Size Drawing

Standard Size Unit (mm)



Feature

- 3 US Socket
- 1 USB Port
- 1 Type-c Port
- 1.5m Power plug

Specification

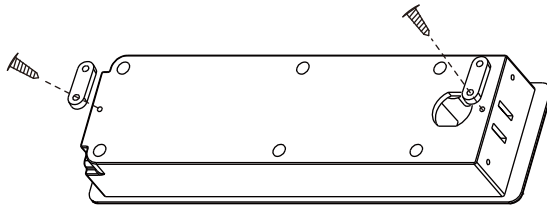
| | |
|-----------------------------------|--|
| Color | Black/White |
| Material | Abs/pc material, 5VA flame retardant grade |
| Power | 1440W MAX |
| Current | 12A MAX |
| Voltage | AC 110~125V |
| Connected to one of the two ports | (1) USB-A:5V3A,9V2A,12V1.5A(18w max), QC 2.0/3.0 (2) USB-C:5V3A,9V2A,12V1.5A(18w max), PD 3.0 |
| Both ports connected | USB-A and USB-C: 5V/3A(15W max) |
| Surge protection Joule | 800J |
| VPR | 1000V |
| Wiring method | Backside outlet |
| Warranty | 1 year |

∞ Installation

1 Flush-mounted

Suggestion hole size is 210*56mm(8.27"*2.2"),
the thickness of desktop should not over 28mm(1.1").

1. Fix the 2 pcs of accessory1 with two sides of the power as below position.
(please noted : Don't screw it tightly so that the accessory 1 can revolve around the screw1.)

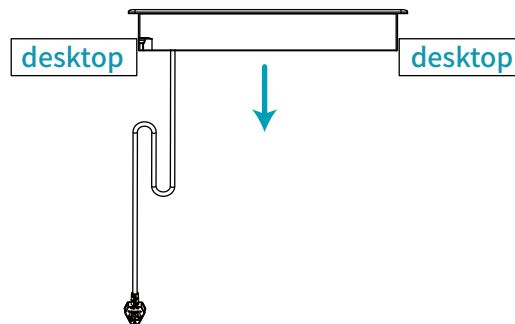


Fastening accessory1(2pcs)

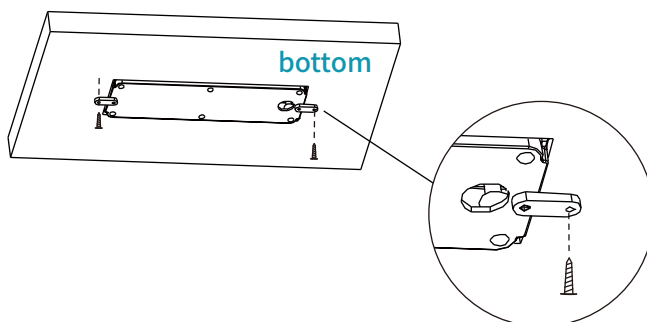


Self tapping screw1(2pcs)

2. Insert the power and plug vertically into the surface, such as below image.



3. Revolve the accessory1 to the below position, and then use 1pc screw2 fix the accessory1 to the surface tightly one side of the power, same as the another side.

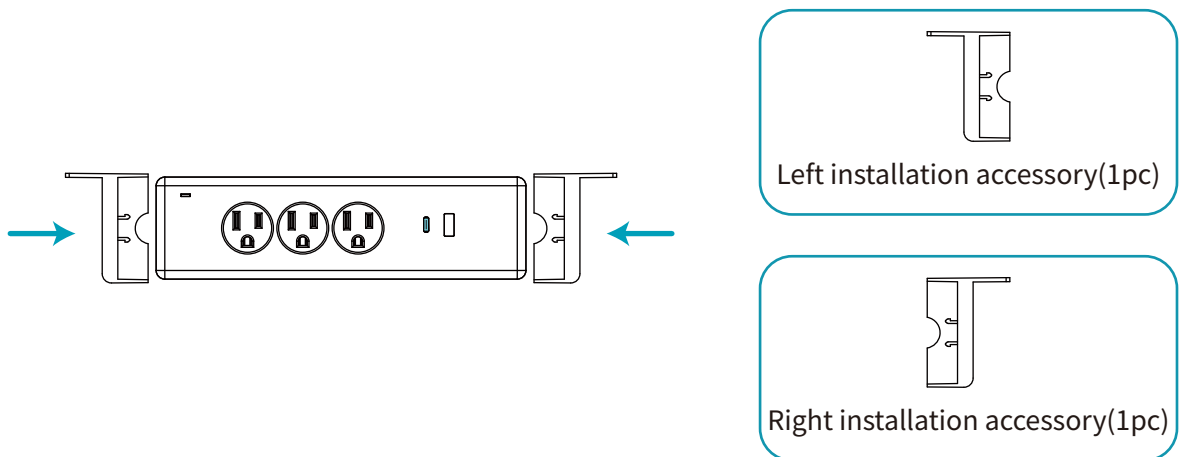


Self tapping screw2(2pcs)

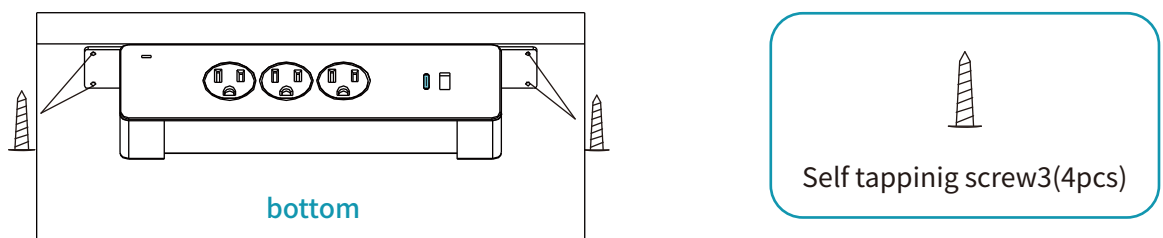
∞ Installation

2 Undertable tpye

1. Match the left and right installation accessories with the two sides of the power.



2. Make the power under the surface as below image, then use 2 pcs screw3 to fix the power with the desktop bottom on each side.

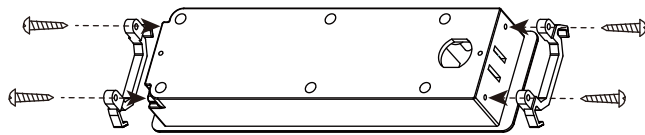


∞ Installation

3 Retention clip

Suggestion hole size is 200*56mm(7.87"*2.2"),
the thickness of metal should not over 4.5mm(0.18").

1. Use the 2pcs screw3 to fix the accessory4 with the power on each side.



Retention clip(2pcs)



Self tapping screw4 (4pcs)

2. Push the power into the screen power beam hole.

