

# WIP-S21

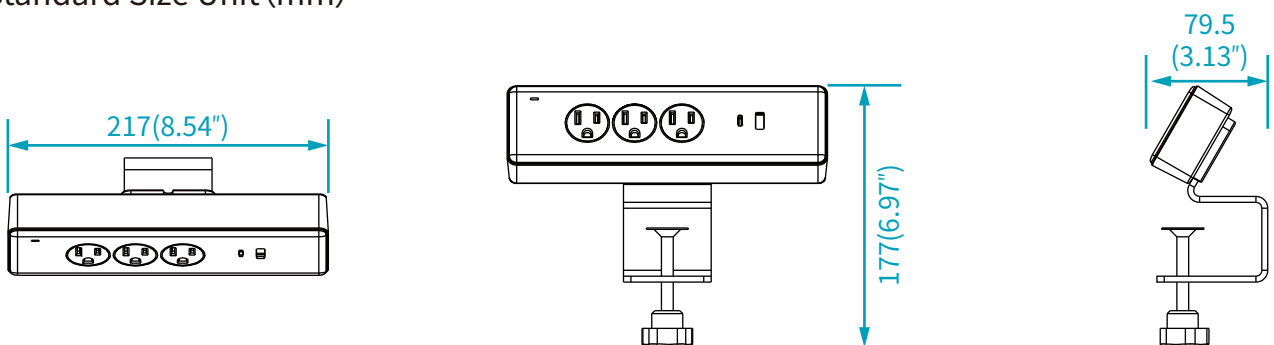


WISTOHT

FC UL

## Product Size Drawing

Standard Size Unit (mm)



## Feature

---

- 3 US Socket
- 1 Type-c Port
- 1 USB Port
- 1.5m Power plug

## Specification

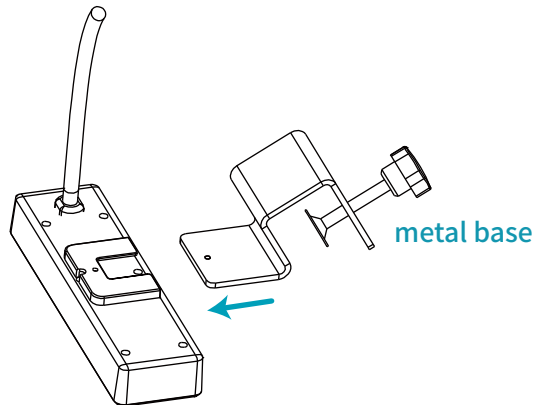
---

Color	Black/White
Material	Abs/pc material, 5VA flame retardant grade
Power	1440W MAX
Current	12A MAX
Voltage	AC 110~125V
Connected to one of the two ports	(1) USB-A:5V3A,9V2A,12V1.5A(18w max), QC 2.0/3.0 (2) USB-C:5V3A,9V2A,12V1.5A(18w max), PD 3.0
Both ports connected	USB-A and USB-C: 5V/3A(15W max)
Surge protection joule	800J
VPR	1000V
Wiring method	Backside outlet
Warranty	1 year

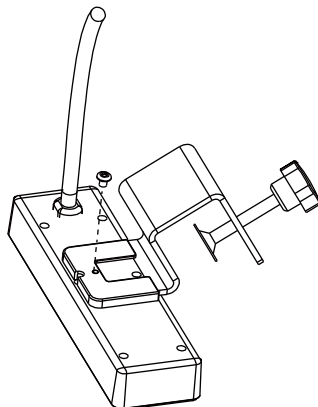
## ∞ Installation

---

- 1 Insert the metal base horizontally into the slot on the back of the socket.



- 2 Use 1pc screw M3\*6 fix the metal base with the slot tightly.



M3\*6 screw(1pc)

- 3 Move the socket to the surface horizontally to make the back of the metal base close to the surface vertically, and then screw the knob to the bottom of the surface, fix it tightly.

