

# NANNING TAGRM CO.,LTD

Tel : 86-771-5384871 Fax : 86-771-5384371

Add:NO.399, Wuxiang Avenue, Liangqing District, Nanning, Guangxi,China

E-mail:sale@tagrm.com

Mobile:86-13822531567

## MINI TRICYCLE DUMPER



COLOR:



### Main specification

Model	MT18X	Brake system	Oil brake
Drive model	Three-wheel drive	Hydraulic	Multi-way valve
Engine power	13.5KW/18HP	Hydraulic tank capacity(L)	13.7
Engine model	CG18M-2	Gradeability(°)	33
Fuel consumption(g/kw.h)	≤254	Min ground clearance(mm)	250
Fuel tank capacity(L)	10.00	Gear shift	3+1*2 LOW-HIGH
Starting Method	Electric	Low shift (Km/h)	L1:4/L2:9/L3:16/R:5.0
Oversize(mm)	3330*1575*2080	High shift (Km/h)	H1:10/H2:26/H3:45/R:14
Rate Payload(kg)	1000	Rear Tire	31x15.5-15
Structural weight(kg)	1273	Front Tire	23*10.5*12
Wheel base(mm)	2240	Cargo box size(mm)	1700×1350×530
No loading axle load(kg)	Front :400 Rear:860	Cargo volume(m <sup>3</sup> )	0.574
Rear tread(mm)	1200	Height of discharge (mm)	2365

NOTE:The above parameters for reference only, if the technology changes without further notice

Payment term: T/T 50 %Advance, 50 % before loading ship

Delivery lead time: 30 days

Load: 2sets/ 20 Foot Container 7set/40HC

Validity: 45days Packing: Nude

Note: Cost of installation and technical support/training extra.

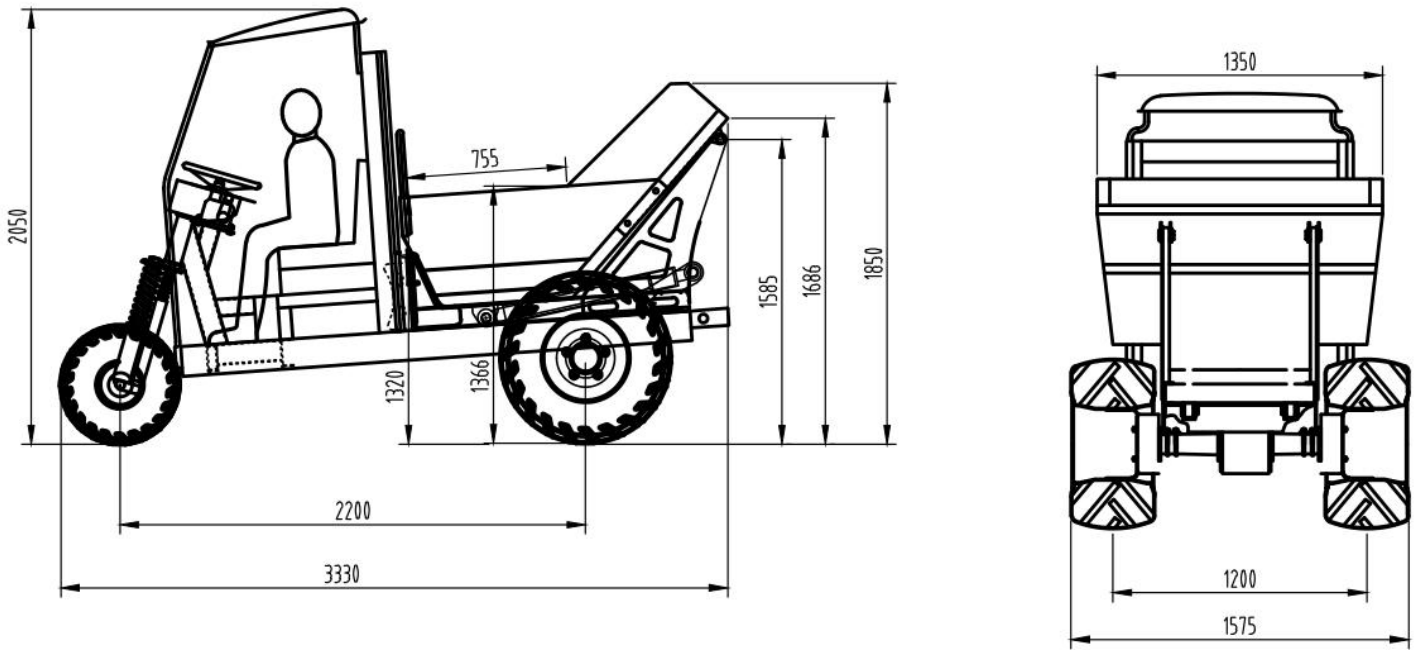
# NANNING TAGRM CO.,LTD

Tel : 86-771-5384871 Fax : 86-771-5384371

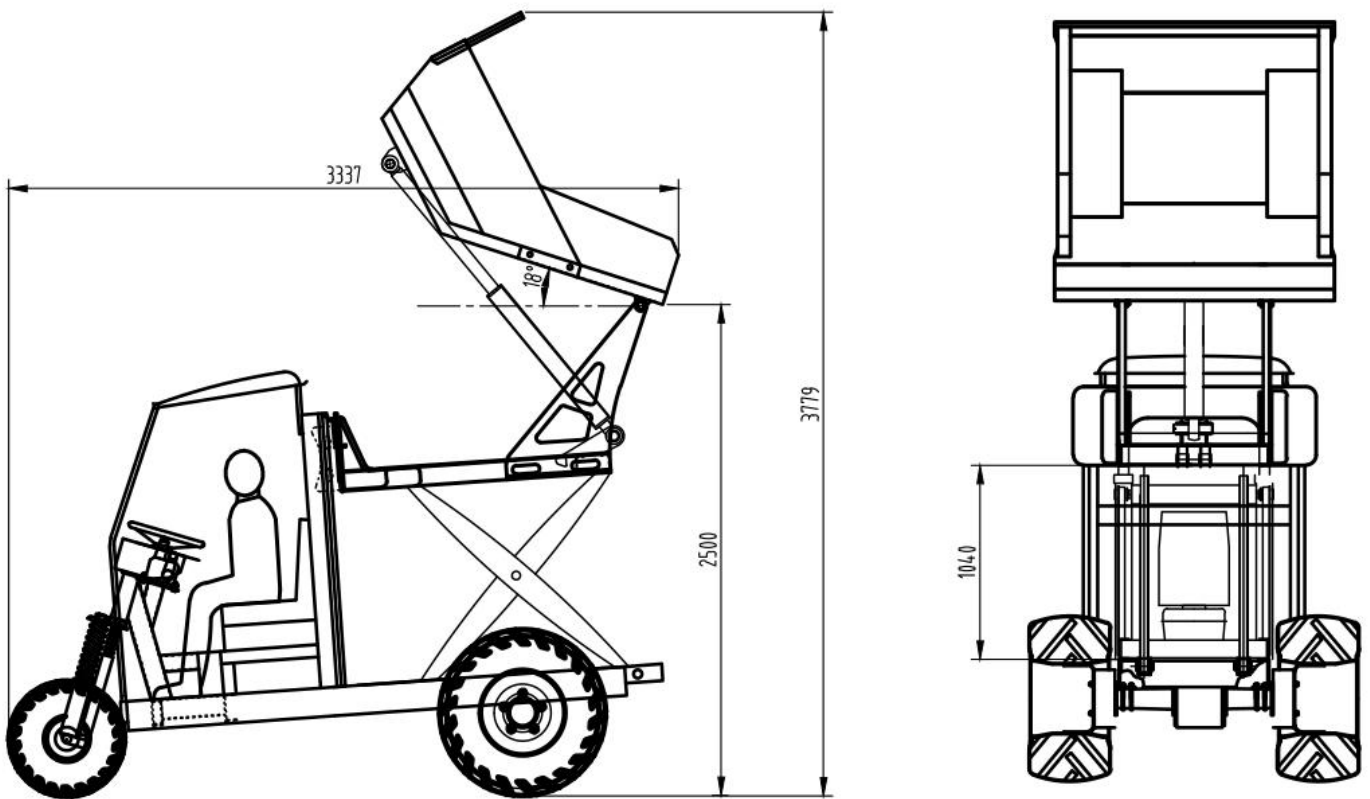
Add:NO.399, Wuxiang Avenue, Liangqing District, Nanning, Guangxi,China

E-mail:sale@tagrm.com

Mobile:86-13822531567



## TRANSPORT DIMENSIONS SIZE



## LIFT UNLOADING DIMENSIONS SIZE

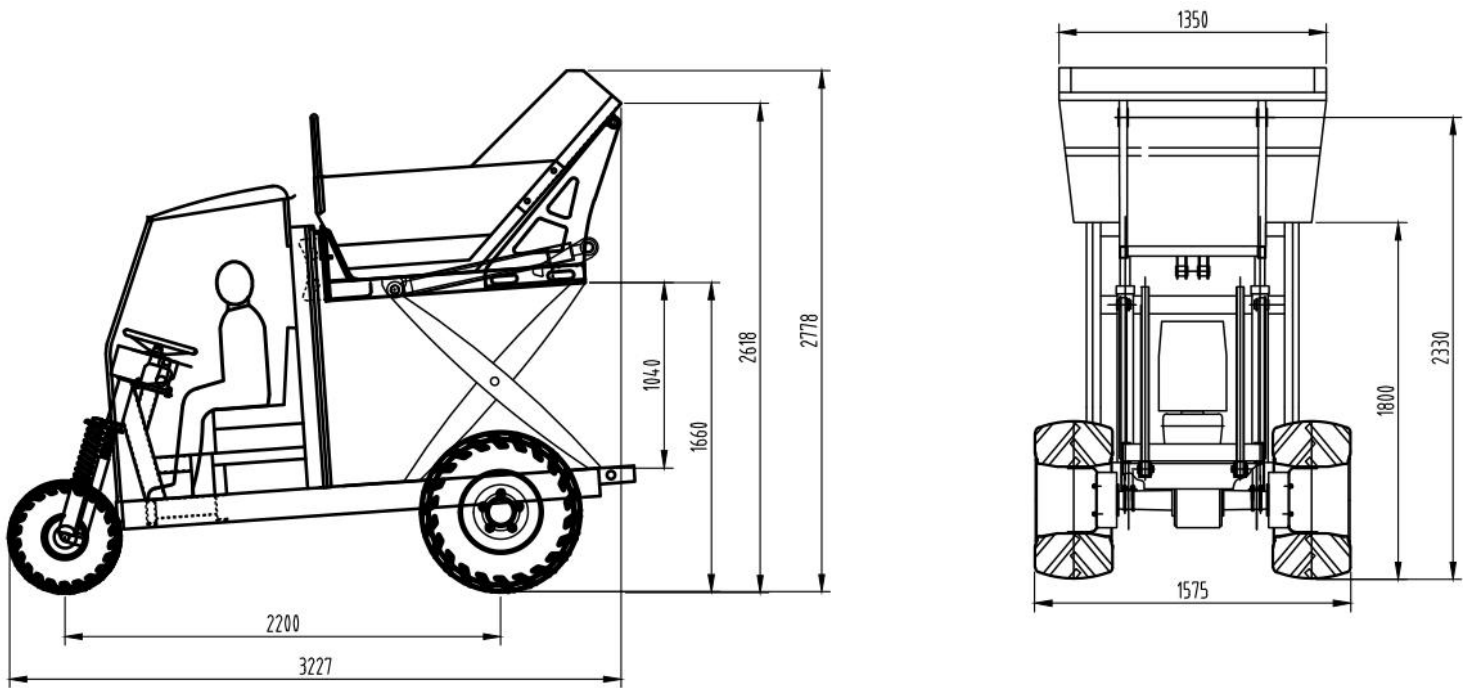
# NANNING TAGRM CO.,LTD

Tel : 86-771-5384871 Fax : 86-771-5384371

Add:NO.399, Wuxiang Avenue, Liangqing District, Nanning, Guangxi,China

E-mail:sale@tagrm.com

Mobile:86-13822531567



## LIFTING DIMENSIONS SIZE



# NANNING TAGRM CO.,LTD

Tel : 86-771-5384871 Fax : 86-771-5384371

Add:NO.399, Wuxiang Avenue, Liangqing District, Nanning, Guangxi,China

E-mail:sale@tagrm.com

Mobile:86-13822531567

---

