

NANNING TAGRM CO.,LTD

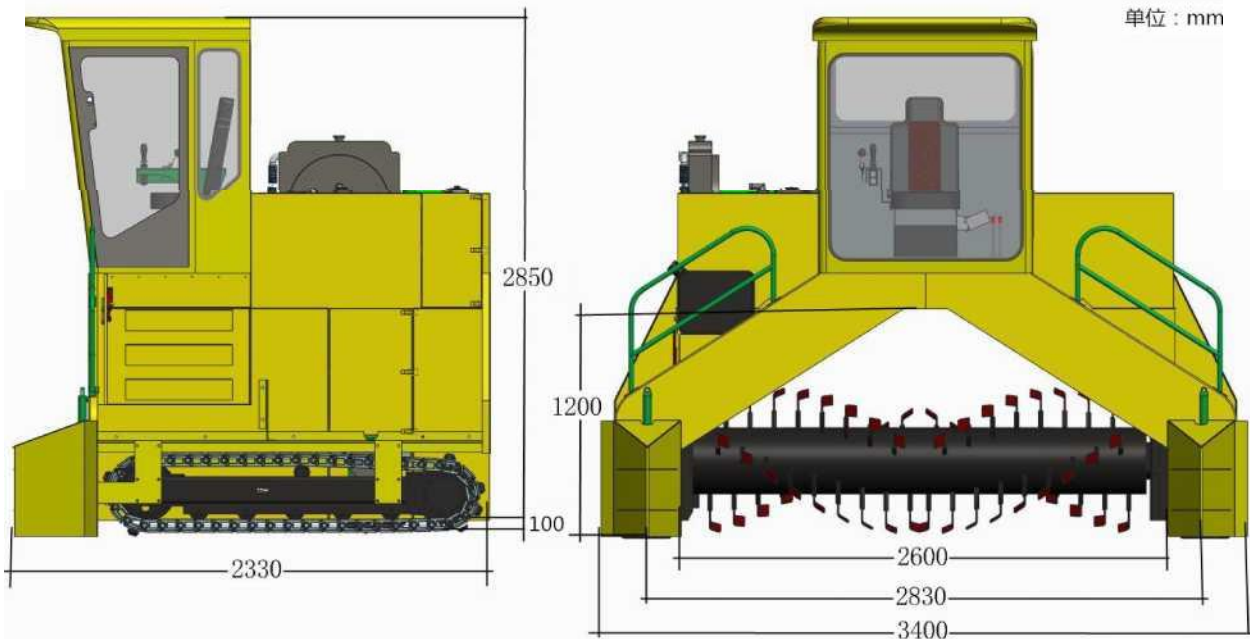
Tel: 86-771-5384871 Fax : 86-771-5384371

Add:NO.399, Wuxiang Avenue, Liangqing District, Nanning, Guangxi,China

E-mail:sale@tagrm.com

Mobile:86-13822531567

M2600 CRAWLER COMPOST TURNER



NANNING TAGRM CO.,LTD

Tel: 86-771-5384871 Fax : 86-771-5384371

Add:NO.399, Wuxiang Avenue, Liangqing District, Nanning, Guangxi,China

E-mail: sale@tagrm. com

Mobile:86-13822531567

Specification

Model	M2600		Ground clearance	130mm	
Rate Power	68KW		Ground pressure	0.46Kg/cm ²	
Rate speed	2200r/min		Working width	2600mm	Max.
Fuel consumption	<235g/KW-h		Working height	1200mm	Max.
Battery	24V	2x12V	Pile shape	Triangle	45°
fuel capacity	40L		Forward speed	L: 0-8m/min H: 0-24m/min	
Track tread	2830mm	W2	Rear speed	L: 0-8m/min H:0-24m/min	
Feed port width	2600mm	W3	Turning radius	1875mm	min
Oversize	3400x2330x2850mm	W1xL1xH1	Drive mode	Hydraulic	
Weight	2600kg	Without fuel	Working capacity	720m ³ /h	Max.
Diameter of roller	497mm	With knife			

Engine: BOLING

Brand	BOLING	Peak Torque/Speed	360/1500N.m/rpm
Model	BLR4105ZG7	Cold Style	Water-cooled
Displacement	3.9L	Emission standard	EU stage IIA
Cylinder diameter	108mm	Cylinder No.	4
Piston stroke	125mm	Electronic control system	NO
Rate speed	2200r/min	Fuel	Diesel
Roted Power	85kW	Weight	435KG
Fuel consumption	225g/Kw.h	Place of Origin	China

Crawler type: Rubber



Engine: BOLING



Payment terms: T/T 30% advanced, 70% before loading ship

Delivery lead time: 30days

Load: 2set/ 40 HQ Container

Packing: Nude

Note: Cost of installation and technical support/training extra.

Products' picture and data just for reference, it will some different after developed.

NANNING TAGRM CO.,LTD

Tel: 86-771-5384871 Fax : 86-771-5384371

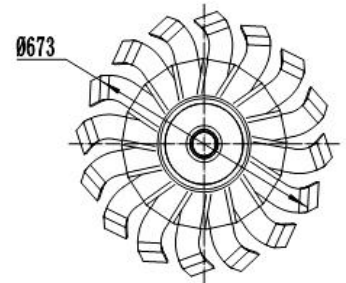
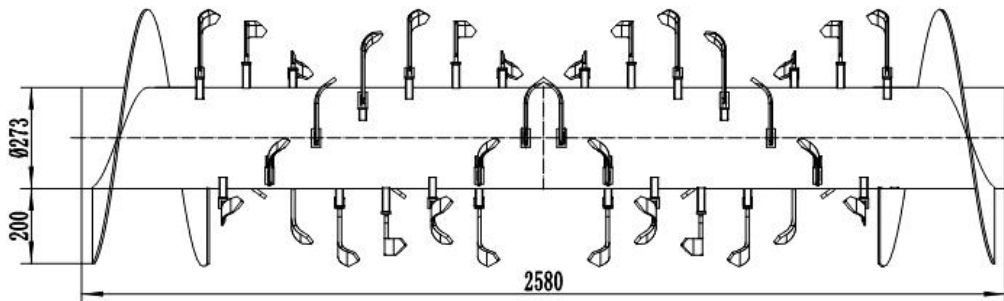
Add:NO.399, Wuxiang Avenue, Liangqing District, Nanning, Guangxi,China

E-mail:sale@tagrm.com

Mobile:86-13822531567

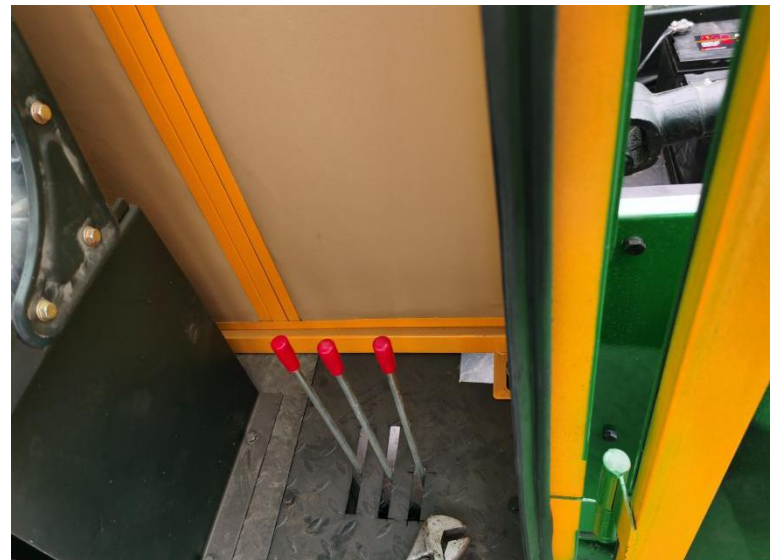
Roller size: R:21 BLADE L:21 BLADE

单位: mm



SUGGEST SPARE PART(CHARGE AND OPTIONAL)

M2500 SPARE PARTS LIST				
Items	Name	Unit price	Quantity	Price(USD)
1	Roller chain	14.90	1 PCS	14.90
2	Roller chain wheel	61.46	1SET	61.46
3	Transmission shaft	178.00	1SET	178.00
4	Hydraulic pump	335.24	1 PCS	335.24
5	Clutch pump	28.10	1 PCS	28.10
6	Clutch solenoid valve	59.60	1 PCS	59.60
7	Clutch shaft string	372.50	1SET	372.50
8	Blade	1.43	200 PCS	286.00
9	Blade header	1.00	54 PCS	54.00
10	Coupling	15.60	1SET	15.6
11	Rubber crawler	330.00	2PCS	660.00
				2065.4



NANNING TAGRM CO.,LTD

Tel: 86-771-5384871 Fax : 86-771-5384371

Add:NO.399, Wuxiang Avenue, Liangqing District, Nanning, Guangxi,China

E-mail:sale@tagrm.com

Mobile:86-13822531567

