



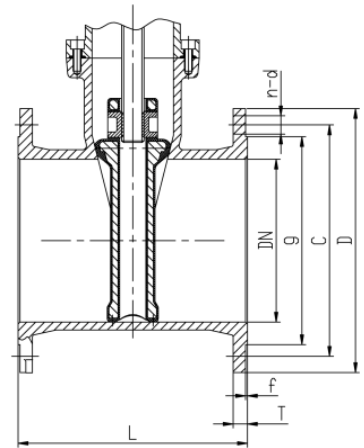
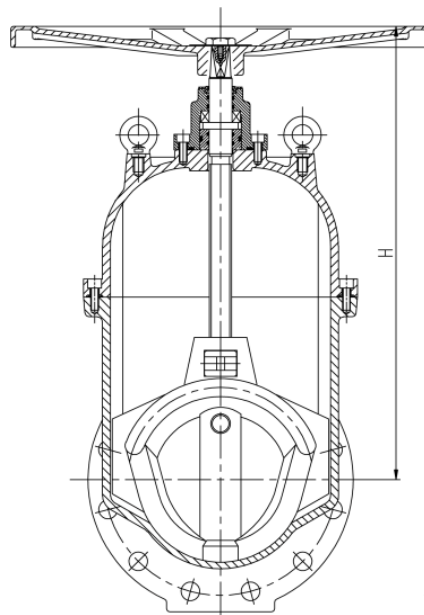
**Resilient Seated Gate valve DN350-DN800**

■ Technical Data

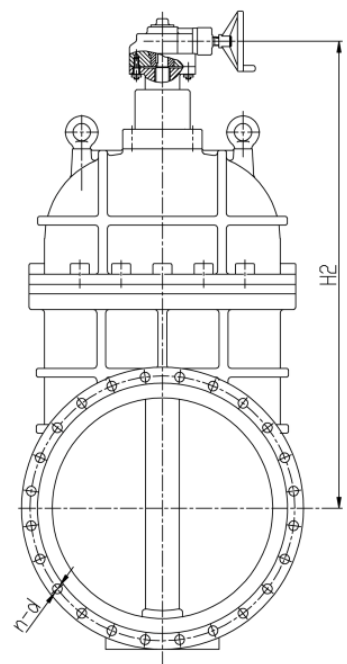
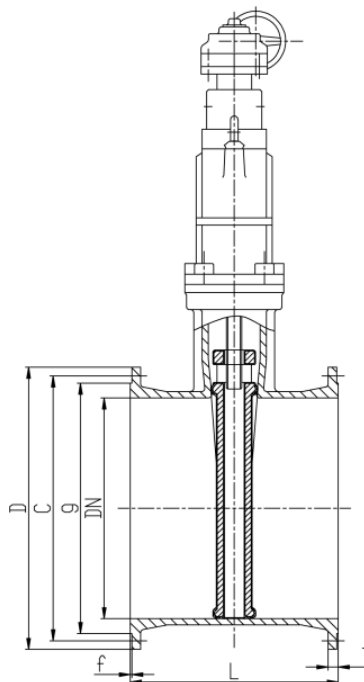
Design standard	EN1171	DN	350~800
Flange standard	EN1092-2	PN	1.0/1.6 MPa
Face to face standard	EN558-1 Series14/15	Working temp.	NBR≤80°C/EPDM≤120°C
Testing standard	EN1074-2	Drive Mode	Hand wheel/Cap/Gearbox/Electric Actuator
Body	GGG50/GJS500-7	Connecting	Flange/Socket
Sealing	Rubber	Coating	Epoxy

■ Drawing and Dimensions

With handwheel



With gearbox





## Dimensions Data(mm) (DN350~DN800,PN10/16)

DN	L		H	W	Flange dimensions to DIN2501/EN1092.2								Weight(Kg)				Torque (N.m)			
					D		C		g		f	T		n-d		F4		F5		
	PN10	PN16			PN10	PN16	PN10	PN16	PN10	PN16		PN10	PN16	PN10	PN16	PN10		PN16	PN10	PN16
350	290	550	870	500	505	520	460	470	429		4	24.5	26.5	16-23	16-28	200	220	210	229	225
400	310	600	945	640	565	580	515	525	480	489	4	24.5	28	16-28	16-31	242	255	280	290	290
450	330	650	1080	640	615	640	565	585	530	548	4	25.5	30	20-28	20-31	340	355	375	391	400
500	350	700	1150	640	670	715	620	650	582	609	4	26.5	31.5	20-28	20-34	418	430	496	510	450
600	390	800	1345	640	780	840	725	770	682	720	5	30	36	20-31	20-37	705	745	800	830	560
700	430	900	1750	800	895	910	840	840	800	795	5	32.5	39.5	24-31	24-37	901	958	945	999	680
800	470	1000	1870	800	1015	1025	950	950	905	900	5	35	43	24-34	24-40	1260	1350	1380	1460	780

**■ Main technical features:**

1. Application: Potable water and sewage
2. Special characteristic:
  - a. rolled shaft which ensure the mating screw between the shaft and shaft nut very smoothly
  - b. Nylon guide inside the wedge ensure the wedge could move smoothly inside the body.
3. Surface coating: Internally and externally coated with fusion bonding epoxy coating of minimum thickness of 250um. As required, Certification corresponding to drinking water and strength like KTW, WRAS and GSK could be available.
4. Quality traceability  
All the valves are with serial no. which could ensure the traceability of the production and quality control.