



Resilient Seated Gate valve with by-pass

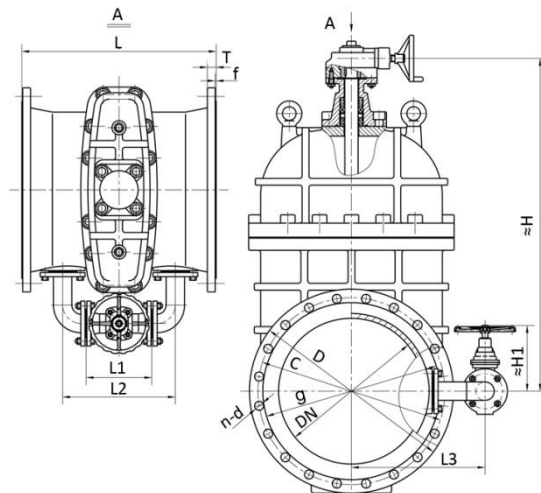
■ Technical Data

Design standard	EN1171	DN	350~600
Flange standard	EN1092-2	PN	1.0/1.6/2.5 MPa
Face to face standard	EN558-1 Series 15	Working temp.	NBR≤80°C/EPDM≤120°C
Testing standard	EN1074-2	Drive Mode	Hand wheel/Cap/Gearbox/Electric Actuator
Body	GGG50/GJS500-7	Connecting	Flange
Sealing	Rubber	Coating	Epoxy

■ Main technical features:

1. Application: Potable water and sewage
2. Special characteristic:
 - a. rolled shaft which ensure the mating screw between the shaft and shaft nut very smoothly
 - b. Nylon guide inside the wedge ensure the wedge could move smoothly inside the body.
3. Surface coating: Internally and externally coated with fusion bonding epoxy coating of minimum thickness of 250um.As required, Certification to drinking water like KTW, WRAS available.
4. Quality traceability
All the valves are with serial no. which could ensure the traceability of the production and quality control.

■ BY-PASS: DN350-DN600 PN10/16



■ Dimensions Data(mm) (DN350~DN800,PN10/16)

DN	L	L1	L2	L3	H	H1	D		C		g		f	T		n-d	
							PN10	PN16	PN10	PN16	PN10	PN16		PN10	PN16	PN10	PN16
350	550	150			870	260	505	520	460	470	429		4	24.5	26.5	16-23	16-28
400	600	150	358	470	1045	260	565	580	515	525	480		4	24.5	28	16-28	16-31
450	650	150	358	470	1101	260	615	640	565	585	530	548	4	25.5	30	20-28	20-31
500	700	150	358	498	1120	260	670	715	620	650	582	609	4	26.5	31.5	20-28	20-34
600	800	190	426	530	1430	310	780	840	725	770	682	720	5	30	36	20-31	20-37