

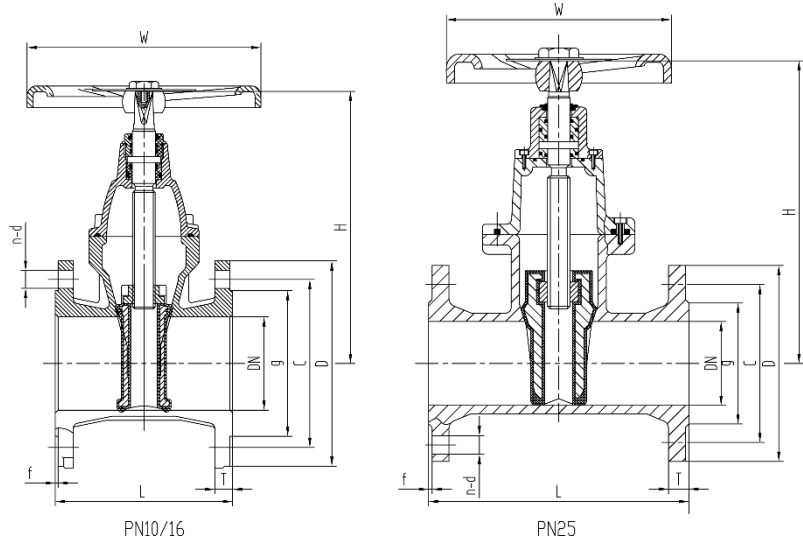


## Resilient Seated Gate valve

### ■ Technical Data

Design standard	EN1171	DN	40~300
Flange standard	EN1092-2	PN	1.0/1.6/2.5 MPa
Face to face standard	EN558-1 Series14/15 or BS5163	Working temp.	NBR≤80°C/EPDM≤120°C
Testing standard	EN1074-2	Drive Mode	Hand wheel/Cap/Gearbox/Electric Actuator
Body	GGG50/GJS500-7	Connecting	Flange/Socket
Sealing	Rubber	Coating	Epoxy

### ■ DN40-DN300



### ■ Dimensions Data(mm)(DN40~DN300, PN10/16)

DN	L		H	W	Flange dimensions to DIN2501/EN1092.2								Weight(Kg)				Torque (N.m)	
					D		C		g		f	T		n-d		F4		F5
	PN10	PN16			PN10	PN16	PN10	PN16	PN10	PN16		PN10	PN16	PN10	PN16	PN10		PN16
40	140	/	200	200	150	110	84	3	19	4-19	11	13	35					
50	150	250	200	200	165	125	99	3	19	4-19	11.5	13	35					
65	170	270	221	200	185	145	118	3	19	4-19	14	16.8	40					
80	180	280	251	200	200	160	132	3	19	8-19	16	20	50					
100	190	300	292	250	220	180	156	3	19	8-19	22.5	26	75					
125	200	325	326	250	250	210	184	3	19	8-19	31	40	90					
150	210	350	378	350	285	240	211	3	19	8-23	37	49	110					
200	230	400	488	350	340	295	266	3	20	8-23 12-23	55 56	61 63	150					
250	250	450	561	500	395 405	350 355	319	3	22	12-23 12-28	79 82	95 98	180					
300	270	500	635	500	445 460	400 410	370	4	24.5	12-23 12-28	105 108	120 125	200					

### ■ Dimensions Data(mm)(DN50~DN400, PN25)

DN	L	H	W	D	C	g	f	T	n-d	weight(kg)
50	250	260	200	165	125	99	3	19	4-19	16
65	270	270	200	185	145	118	3	19	8-19	19
80	280	310	200	200	160	132	3	19	8-19	25
100	300	340	250	235	190	156	3	19	8-23	30
125	325	405	250	270	220	184	3	19	8-28	47
150	350	460	250	300	250	211	3	20	8-28	58
200	400	570	350	360	310	274	3	22	12-28	85
250	450	660	500	426	370	330	3	24.5	12-31	130
300	500	770	500	485	430	389	4	27.5	16-31	180
350	550	870	500	555	490	448	4	30	16-34	235
400	600	990	500	620	550	503	4	32	16-37	308