

悦四方 达天下

地址：江苏省苏州市吴中区东吴北路170号

电话：0512-66308028

网址：[www.szydfm.com](http://www.szydfm.com)

邮箱：[yueda\\_dm@163.com](mailto:yueda_dm@163.com)



苏州悦达阀门有限公司  
SUZHOU YUEDA VALVE CO.,LTD



## 公司简介

苏州悦达阀门有限公司是水工业用各类阀门的专业生产企业。公司注册资金为3200万元,通过了ISO9001:2015质量体系认证和ISO14001环境管理体系认证,并取得了压力管道元件特种设备许可证。

公司主要生产直埋式软密封闸阀、法兰式双偏心软密封蝶阀、法兰式双偏心金属硬密封蝶阀、旋启式止回阀、静音式止回阀、排气阀、阀门地埋加长装置等产品。公司的产品通过了第三方权威检测机构的质量检测以及由江苏省卫生厅认定的涉及饮用水卫生安全产品的检测机构对产品符合饮用水输配水设备卫生安全性的检验。产品表面涂装的无毒的环氧树脂粉末以及所采用的橡胶,均符合国内外饮用水卫生标准。

公司拥有主要设备为:大型自动化静电涂装流水线两条,装配检测流水线两条以及半自动装配检测设备多台。此外,还有5米、3米、2米立车,4米、2米铣、镗等系列加工设备。年生产能力为5万吨。公司配备市场营销部、工程技术部、生产制造部、质量检验部、财务行管部等部门,分工明确,责任到人。拥有多名阀门行业的专业技术人员。公司总工程师为阀门行业手册的主要编制人之一。自主研发新产品,产品质量精良、稳定。

公司产品远销西欧、南非、中东、东南亚等国家以及国内的北京、安徽、陕西、广东、云南、广西、吉林、贵州等地区。以优良的品质、周到的服务和良好的信誉获得广大用户的好评,积极运用科学的管理手段为公司注入活力,为新的的发展打下坚实的基础。公司以“信誉第一、用户至上”为宗旨,以产品质量为生命线,求精务实、开拓创新,竭诚为用户提供最佳的产品和服务。

### Company profile

Suzhou Yueda Valve Co., Ltd. is a professional valve manufacturer locating in the northern industrial part of Ducun village in Linhu town, Wuzhong District, Suzhou. The transportation is convenient.

The company mainly produces various types of valves for water industrial uses. Epoxy resin and rubber coated on valves' surfaces are in line with the requirements of sanitary standards at home and abroad. The company has the following major equipments: a product line of large-scale automatic electrostatic epoxy resin powder coating, two testing and assembly lines as well as many other non-automatic equipments used for assembly and test. In addition, the company owns series of processing equipments such as 5 meters, 3 meters, 2 meters vertical lathes, 4 meters, 2 meters millings, borings and so on.

The company has promising professional strength of mechanical technique and many professionals of valve industry; moreover, the quality of products is excellent and stable. The company's products are exported to Western Europe, South Africa, North America and the Middle East and other countries and at home sold to Hefei, Anhui, and Shanxi, Guangdong, Guangxi and other regions. With good quality, thoughtful service and high reputation, the company accesses to a vast number of users. Via introducing ISO9001: 2000 quality management system and actively applying scientific management means, the company energizes for new development and lays a solid foundation.

The company bases on the belief "credit first, customer supreme" and views product quality as the lifeline, dedicating to provide users with the best services. Considerate,

## 工程案例 The engineering case

### 以科技创造未来 以精品回报社会

Science and technology in order to create the future  
Products will be reported to the community





●刀闸阀性能与使用范围Knife gate valve performance and application range

刀闸阀通常是一种单向密封对夹连接的阀门，设计标准MSS SP-81。阀体和阀座的设计适用于各种不同行业，确保阀门关闭带有悬浮颗粒介质时不堵塞。  
Knife gate valve is usually a uni-directional wafer type valve designed according to MSS SP-81. The design of the body and seat assures non-clogging shut off on suspended solids in all kinds of industries.

●适用范围Scope of application

造纸行业 Pulp and Paper      矿业 Mining      散装输送 Bulk transport  
污水处理 Waster water treatment plants      发电厂 Power plants  
食品饮料 Food and Beverage      化工厂 Chemical plants

●规格Specifications

DN 50 – DN 1200(更大口径按客户要求Larger diameter on request)

●适用工作压力Application of work pressure 法国Tecofi

DN50-DN 250:10kg/cm<sup>2</sup>      最大工作压力The maximum working pressure  
DN300-DN 400:6kg/cm<sup>2</sup>      DN50-DN250:10bar  
DN450:5kg/cm<sup>2</sup>      DN300-DN450:7bar  
DN500-DN600:4kg/cm<sup>2</sup>      DN500-DN600:4bar  
DN700-DN1200:2kg/cm<sup>2</sup>      DN700-DN1200:2bar

●标准法兰连接The standard flange cnnnection:

DIN PN 10和ANSI B16.5(Class150)  
备注Note: 法兰连接尺寸分the flange dimensions  
DIN:PN6,PN10,PN16,PN25  
ANSI B16.5:Class150  
BS Table "D" "E"

●要求 Requirements

设计标准按: Design standard:MSS SP-81  
结构长度按: Face to face MSS SP-81  
测试打压按: Testing standard:MSS SP-81

●零部件清单Standard parts list

NO.	零件Components	铸钢、铸铁Cast steel,Cast iron	不锈钢Stainless steel
1	阀体Body	WCB/GGG40	CF8、CF8M
2	闸板Gate	SS304/SS316	SS304/SS316
3	阀座Seat	金属阀座Metal, NBR, EPDM, Viton, PTFE,	
4	填料Packing	四氟、芳纶、高水基或石墨 PTFE,PTFE+KEVLAR,Ramie impregnated PTFE, Graphite	
5	填料压盖Packing gland	WCB/GGG40	CF8、CF8M
6	阀杆Stem	SS410,SS420,SS304,SS316	
7	阀杆螺母Stem nut	球铁 Ductile Iron, 黄铜 Brass	
8	支架Yoke	环氧涂层碳钢Epoxy coated steel	
9	卡箍Retaining ring	SS304	SS304/SS316
10	手轮Hand wheel	Ductile Iron	
11	压盖Cover	塑料Plastic	
12	阀杆护罩Stem protector	环氧涂层碳钢Epoxy coated steel	
13	滚针轴承Needle bearing	优质钢High quality steel	
14	螺母Locking nut	环氧涂层碳钢Epoxy coated steel	



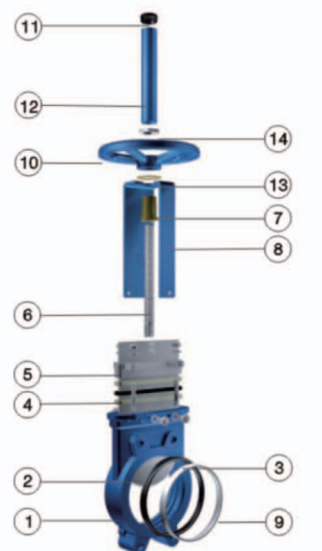
明杆刀闸阀 Rising Stem Knife Gate Valve      暗杆刀闸阀 Non-rising Stem Knife Gate Valve  
对夹气动刀闸阀 Wafer type Pneumatic Knife Gate Valve      对夹电动刀闸阀 Wafer type Electric Actuated Knife Gate Valve  
美标刀闸阀 ANSI Standard Knife Gate Valve      凸耳手动刀闸阀 Lug type Manual Knife Gate Valve



凸耳气动刀闸阀 Lug type Pneumatic Knife Gate Valve      法兰气动刀闸阀 Flanged Pneumatic Knife Gate Valve  
板带防尘罩气动刀闸阀 Pneumatic Knife Gate Valve with Knife Protector



穿透式插板阀 Through Conduit Knife Gate Valve      闸门 Slide Gate Valve (Sluice Gate Valve)  
杠杆刀闸阀 Lever operated Knife Gate Valve      气动带手动刀闸阀 Pneumatic and Manul Knife Gate Valve  
U型双向密封刀闸阀 U-type Bidirectional Seal Knife Gate Valve





● **阀体Body**

刀型闸阀阀体设计具有结构简单、紧凑、合理，通道流畅、流阻小、重量轻、易安装等优点。

The body design of knife gate valve has the advantages: simple, compact and reasonable structure, smooth port, small flow resistance, light weight, easy installation etc.

● **闸板Knife Gate**

闸板材质为标准的 stainless steel，板的两边经过机械抛光磨平，呈镜面般的光滑，能有效地避免开关过程中损坏阀座，关闭位置时更好的密封。

Standard AISI 304 or 316 stainless steel gate is grinded and polished smoothly as mirror, which can effectively avoid damage of packing and seat through opening or closing and make a greater seal. The bottom of the gate edge is machined to a bevel, so that it cuts through the solids for a tighter seal in closed position. A knife protector can be provided for additional protection against dust.

● **阀座 Seat (resilient)**

独特的设计，机械式锁定内部的密封圈，挡圈材质为不锈钢、阀座的标准材料分为丁腈、三元乙丙、氟橡胶、四氟。通常阀座是单向设计，按客人要求也可做双向密封。

Standard seat NBR, EPDM, also available in PTFE, Viton, Silicone etc. Unique design that mechanically locks the seal in the internal of valve body with a stainless steel retainer ring. Normally it is unidirectional seal design, and bidirectional seal as requested.

● **填料Packing**

有几层编织盘根及橡胶密封环，通过填料压盖外力压紧，能有效的保证中道密封性能。材质有石墨盘根、PTFE、芳纶。

Several layers of braided packing with an easy access packing gland ensuring a tight seal. Available in a range of materials: Graphite, PTFE, PTFE+KEVLAR etc.

● **阀杆Stem**

阀杆是采用标准的不锈钢材质，耐腐蚀性能好，使用寿命长。

Standard stainless steel stem with good corrosion resistance offers a long service life. For rising stem only, a stem protector can be provided for additional protection against dust while the valve in the open position.

● **手动驱动方式Manual driving modes**

分杠杆、手轮驱动、链轮、伞齿轮驱动、正齿轮驱动。

Lever, Handwheel, chain wheel, Bevel Gear and Gear operated.

● **自动驱动方式Automatic driving mode**

分电动、气动、液压式、电液动。

Electric, pneumatic, hydraulic, electro-hydraulic.

● **环氧树脂涂层Epoxy Coating**

智泉流体阀门公司的所有铸铁、铸钢阀门产品及碳钢配件都采用环氧树脂喷涂，高质量的保护阀门内腔耐腐蚀、清洁度，有效延长阀门使用寿命。

All ZHIQUAN cast iron and cast steel valve bodies and components are epoxy coated, well protecting inner port and surface against corrosive and dirty conditions for longer service life. The ZHIQUAN standard coating colour is RAL5010

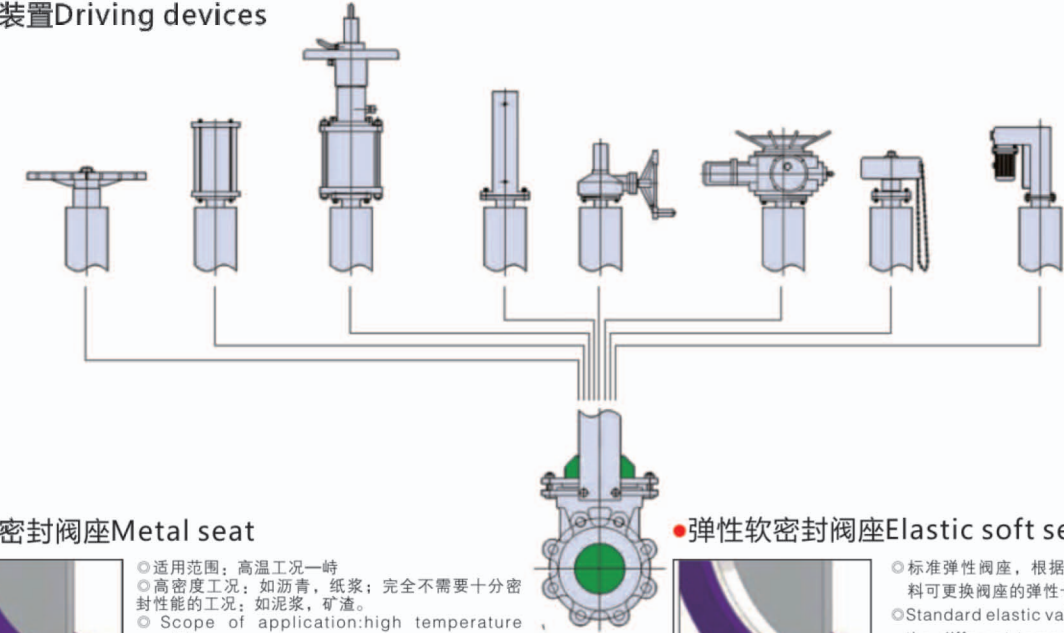
● **可供选择 Accessories and Options**

锥形漏斗，V型或五角型通道，注脂孔，锁定装置，电磁阀，定位器，限位开关，接近开关，磁性开关，空气过滤器，加长阀杆等。

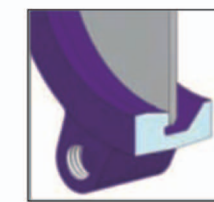
Deflection cone, V or pentagonal port, Injection holes, Locking device, Solenoid valve, Positioners, Limit switches, Proximity switches, Magnetic switches, Air filter, Stem extension etc.



● **驱动装置Driving devices**

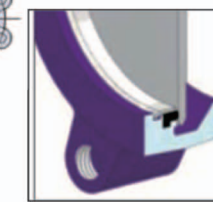


● **金属密封阀座Metal seat**



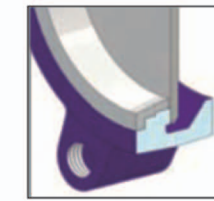
◎ 适用范围：高温工况一时  
◎ 高密度工况：如沥青，纸浆；完全不需要十分密封性能的工况：如泥浆，矿渣。  
◎ Scope of application: high temperature conditions  
◎ High density conditions, such as asphalt and paper pulp; Working conditions that don't need 100% sealing, such as mud, slag.

● **弹性软密封阀座Elastic soft sealing seat**



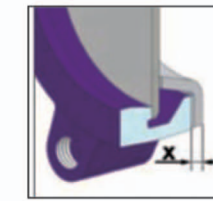
◎ 标准弹性阀座，根据温度不同选择相应的材料可更换阀座的弹性卡环。  
◎ Standard elastic valve seat, according to the different temperature to select the appropriate material can replace the seat of the elastic clamping ring

● **加强型Enhanced**



◎ 适用范围：高温工况  
◎ 高密度工况：如沥青，纸浆；完全不需要十分密封性能的工况：如泥浆，矿渣。  
◎ 优点可更换设计，不用拆卸阀门  
◎ Scope of application: high temperature conditions  
□ High density conditions, such as asphalt and pulp; Working conditions that don't need 100% sealing, such as mud, slag.  
◎ The advantages of design can be replaced, without removing the valve.

● **金属密封带漏斗式Metal seal with a deflection cone**



◎ 能有有效的保护阀门内腔不被介质冲刷掉，如闸板、阀座、阀壁，更大程度提升阀门的使用寿命。可选材质为316、CA15、聚氨酯  
◎ Can effectively protect inner port, such as gate, seat inner wall, mostly extending service life  
◎ Optional materials: SS316, CA15, Polyurethane.  
结构长度增加  
The length of face to face is increased by  
DN50-DN250 X=9mm  
DN300-DN600X=12mm

● **适用温度范围Applicable temperature range**

阀座/密封Seat/seal		
材料Material	最大温度(°C) The maximum temperature	用途Use
硬密封Hard sealing	≥200°C	低密度高温介质 Low density and high temperature medium
EPDM(E)	120°C	酸性和非油品类 Acidic and non-oil medium
Nitrile(N)	80°C	耐油、耐磨 Oil and wear resistance
FKM/Viton(V)	180°C	化用品Chemicals High temperature liquid
PTFE(T)	150°C	耐腐蚀物质、碱性物质 Resistance of corrosion and alkaline substances

填料 Packing		
材料Material	最大温度(°C) The maximum temperature	pH
高水基盘根 Ramie PTFE packing	130°C	5-11
四氟编织盘根 PTFE Braided packing	240°C	2-13
芳纶 PTFE+KEVLAR	260°C	0-14
石墨盘根 Graphite packing	550°C	0-14
陶瓷纤维 Ceramic fiber	950°C	5-9



**明杆手轮刀闸阀**  
Rising Stem Hand Wheel Knife Gate Valve

标准明杆手轮驱动

组成部件:

- 环氧涂层手轮
- 阀杆
- 阀杆螺母
- 阀杆防护罩

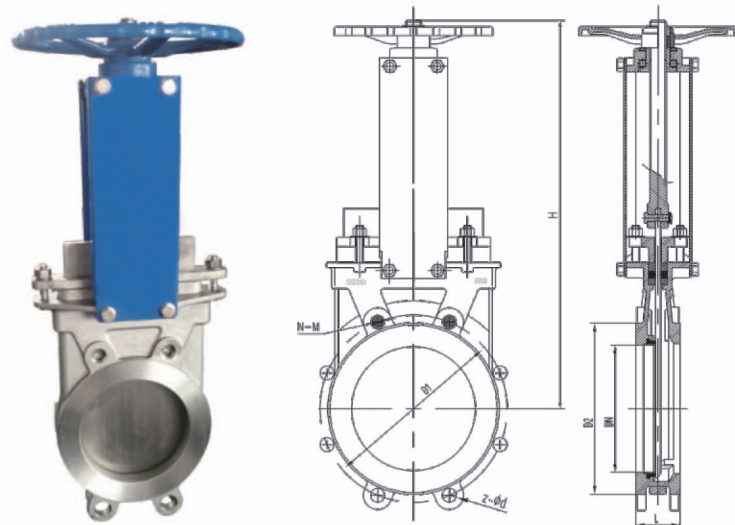
适用范围: DN50-DN600

HANDWHEEL (rising stem)

Consist of:

- Handwheel: Epoxy coated cast iron
- Yoke
- Stem
- Stem nut
- Stem protector

Scope of application: DN50-DN600



• 法兰标准 Drilling standard: EN1092 PN10

DN	L	D1	D2	N-M	z-Φd	H	Weight (KGS)
50	48	125	99	2-M16	2-Φ18	290	7.5
65	48	145	118	2-M16	2-Φ18	310	8.2
80	51	160	132	2-M16	6-Φ18	360	10.5
100	51	180	156	2-M16	6-Φ18	400	13
125	57	210	184	2-M16	6-Φ18	430	16
150	57	240	211	2-M20	6-Φ22	500	21
200	70	295	266	2-M20	6-Φ22	620	32
250	70	350	319	4-M20	8-Φ22	710	46
300	76	400	370	4-M20	8-Φ22	800	58
350	76	460	429	6-M20	10-Φ22	950	74
400	89	515	480	6-M24	10-Φ26	1050	118
450	89	565	530	8-M24	12-Φ26	1180	140
500	114	620	582	8-M24	12-Φ26	1380	192
600	114	725	682	8-M27	12-Φ30	1460	245

**暗杆手轮刀闸阀**  
Non-rising Stem Hand Wheel Knife Gate Valve

标准暗杆手轮驱动

建议安装空间受限的地方

组成部件:

- 环氧涂层手轮
- 阀杆
- 阀杆轴承
- 阀杆螺母安装在阀板

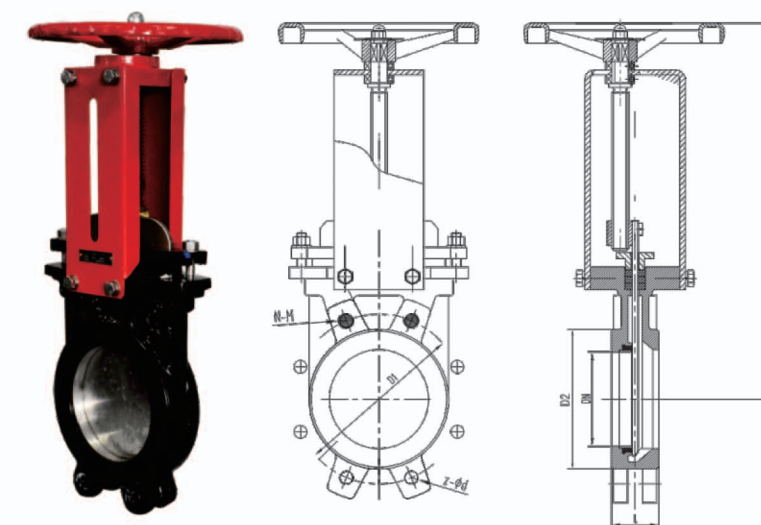
适用范围: DN50-DN600

HANDWHEEL (non-rising stem)

Consist of:

- Handwheel: Epoxy coated cast iron
- Yoke
- Stem
- Stem bearing
- Stem nut connection with gate

Scope of application: DN50-DN600



• 法兰标准 Drilling standard: EN1092 PN10

DN	L	D1	D2	N-M	z-Φd	H	Weight (KGS)
50	48	125	99	2-M16	2-Φ18	280	7.5
65	48	145	118	2-M16	2-Φ18	300	8.2
80	51	160	132	2-M16	6-Φ18	350	10.5
100	51	180	156	2-M16	6-Φ18	390	13
125	57	210	184	2-M16	6-Φ18	420	16
150	57	240	211	2-M20	6-Φ22	480	21
200	70	295	266	2-M20	6-Φ22	600	32
250	70	350	319	4-M20	8-Φ22	690	46
300	76	400	370	4-M20	8-Φ22	780	58
350	76	460	429	6-M20	10-Φ22	930	74
400	89	515	480	6-M24	10-Φ26	1030	118
450	89	565	530	8-M24	12-Φ26	1160	140
500	114	620	582	8-M24	12-Φ26	1350	192
600	114	725	682	8-M27	12-Φ30	1440	245



## 杠杆操作刀闸阀 Lever Operated Knife Gate Valve

杠杆执行机构  
快速打开和关闭的推荐操作方式  
组成部件:

- 杠杆
- 阀杆
- 方向节叉
- 杠杆锁

适用范围: DN50-DN200

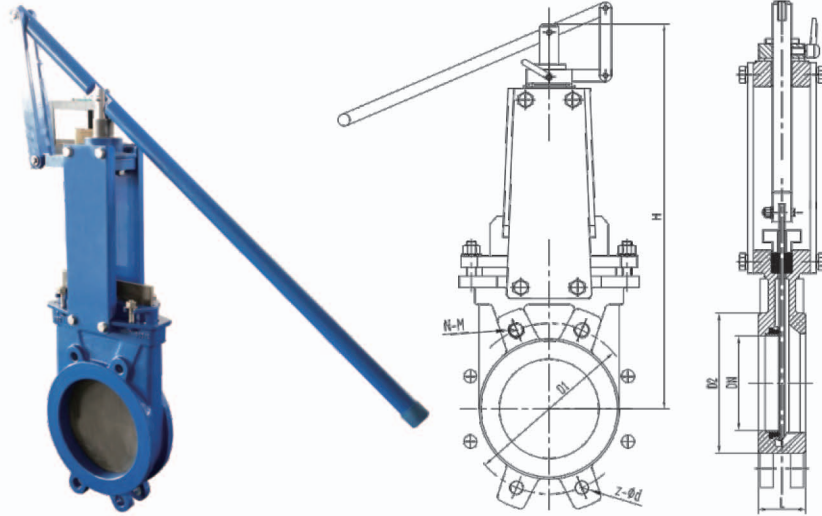
### LEVER ACTUATOR

Recommended operation mode for fast opening and closing

Consist of:

- Lever
- Yoke
- Stem
- Direction fork
- Locking device

Scope of application: DN50-DN200



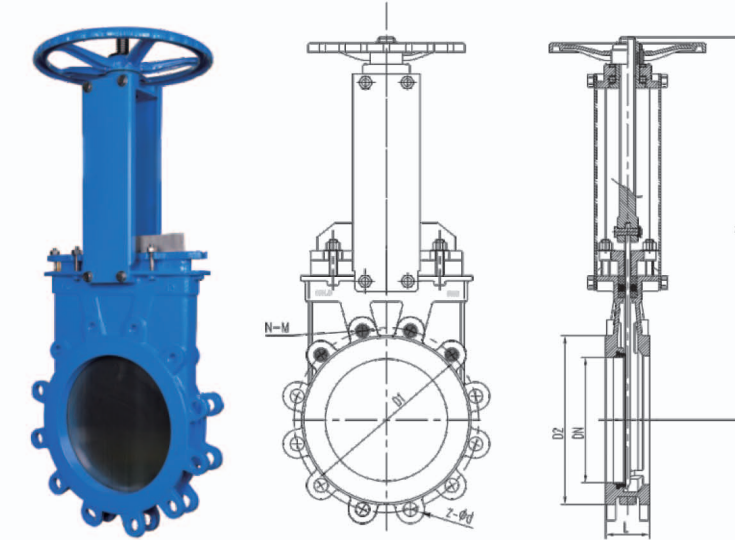
### • 法兰标准 Drilling standard: EN1092 PN10

DN	L	D1	D2	N-M	z-φd	H	Weight (KGS)
50	48	125	99	2-M16	2-φ18	330	8.5
65	48	145	118	2-M16	2-φ18	350	9
80	51	160	132	2-M16	6-φ18	400	11
100	51	180	156	2-M16	6-φ18	450	14
125	57	210	184	2-M16	6-φ18	480	17
150	57	240	211	2-M20	6-φ22	550	22
200	70	295	266	2-M20	6-φ22	680	32

## 美标刀闸阀 ANSI standard Knife Gate Valve

驱动方式: 手轮, 杠杆, 齿轮, 气动, 电动或者液动。  
适用范围: 2" -24" (更大尺寸按客户要求)

Actuator: Hand wheel, Lever, Gear, Pneumatic, Electric or Hydraulic actuator  
Scope of application: 2" -24" (Larger sizes as requested)



### • 法兰标准 Drilling standard: ANSI B16.5 Class 150

inch	mm	L	D1	D2	N-M	z-φd	H	Weight (KGS)
2"	50	48	120.7	92.1	2-5/8" UNC	2-φ19	290	7.5
2 1/2"	65	48	139.7	104.8	2-5/8" UNC	2-φ19	310	8.2
3"	80	51	152.4	127	2-5/8" UNC	2-φ19	360	10.5
4"	100	51	190.5	157.2	2-5/8" UNC	6-φ19	400	13
5"	125	57	215.9	185.7	2-3/4" UNC	6-φ22	430	16
6"	150	57	241.3	215.9	2-3/4" UNC	6-φ22	500	21
8"	200	70	298.5	269.9	2-3/4" UNC	6-φ22	620	32
10"	250	70	362	323.8	4-7/8" UNC	8-φ25	710	46
12"	300	76	431.8	381	4-7/8" UNC	8-φ25	800	58
14"	350	76	476.3	412.8	4-1" UNC	8-φ29	950	74
16"	400	89	539.8	469.9	6-1" UNC	10-φ29	1050	118
18"	450	89	577.9	533.4	6-1.1/8" UNC	10-φ32	1180	140
20"	500	114	635	584.2	8-1.1/8" UNC	12-φ32	1380	192
24"	600	114	749.3	692.2	8-1.1/4" UNC	12-φ35	1460	245



推荐阀门大于或等DN350和工作压力大于3.5kg/cm<sup>2</sup>的阀门

组成部件:

- 杠杆
- 支架
- 伞齿轮
- (速比4:1)

适用范围: DN50-DN1200

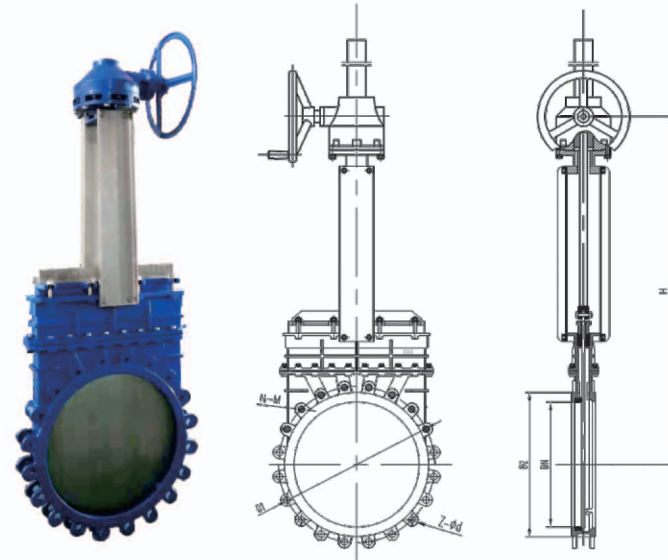
**BEVEL GEAR**

Recommended for valves larger than DN350/14" and working pressure greater than 3.5 bar/50 psi.

Consist of:

- Stem
- Yoke
- Bevel Gear Actuator with Handwheel
- (Standard Ratio 4:1)

Scope of application: DN50-DN1200



● 法兰标准 Drilling standard: EN1092 PN10

DN	L	D1	D2	N-M	z-φd	H	Weight (KGS)
50	48	125	99	2-M16	2-φ18	360	16.5
65	48	145	118	2-M16	2-φ18	380	17.2
80	51	160	132	2-M16	6-φ18	430	19.5
100	51	180	156	2-M16	6-φ18	470	25
125	57	210	184	2-M16	6-φ18	500	28
150	57	240	211	2-M20	6-φ22	570	33
200	70	295	266	2-M20	6-φ22	690	44
250	70	350	319	4-M20	8-φ22	788	64
300	76	400	370	4-M20	8-φ22	878	76
350	76	460	429	6-M20	10-φ22	1035	97
400	89	515	480	6-M24	10-φ26	1135	141
450	89	565	530	8-M24	12-φ26	1265	163
500	114	620	582	8-M24	12-φ26	1467	242
600	114	725	682	8-M27	12-φ30	1547	300
700	117	840	794	10-M27	14-φ30	1796	450
800	117	950	901	10-M30	14-φ33	1998	557
900	117	1050	1001	12-M30	16-φ33	2227	725
1000	150	1160	1112	12-M33	16-φ36	2439	910
1200	150	1380	1328	14-M36	18-φ39	2889	1350

双作用气动执行机构

组成部件:

- DN ≤ 250/10" : 铝缸筒
- DN ≥ 300/12" : 复合缸筒
- 铝端盖
- 活塞杆: 碳钢或不锈钢

气源压力: 最小4.0 bar/58 psi, 最大8 bar/116 psi

适用范围: DN50-DN1200

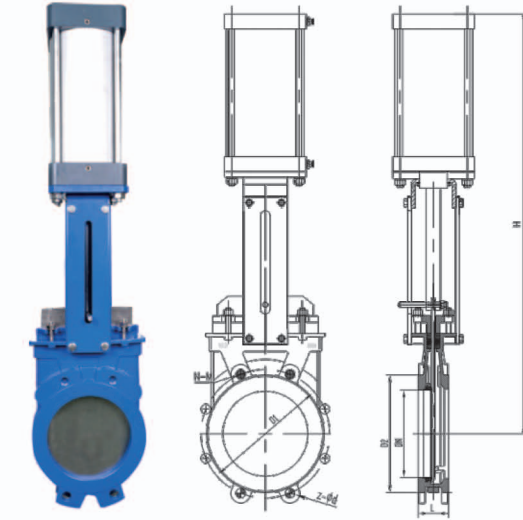
**PNEUMATIC ACTUATOR (double-acting)**

Consist of:

- DN ≤ 250/10" : Aluminum barrels
- DN ≥ 300/12" : Composite barrels
- Aluminum end covers
- Piston rod: carbon steel or stainless steel

Air Supply Pressure: min. 4.0 bar/58 psi, max. 8 bar/116 psi.

Scope of application: DN50-DN1200



● 法兰标准 Drilling standard: EN1092 PN10

DN	L	D1	D2	N-M	z-φd	H	Weight (KGS)
50	48	125	99	2-M16	2-φ18	425	9
65	48	145	118	2-M16	2-φ18	480	9.5
80	51	160	132	2-M16	6-φ18	525	12.5
100	51	180	156	2-M16	6-φ18	600	15
125	57	210	184	2-M16	6-φ18	700	21.5
150	57	240	211	2-M20	6-φ22	815	25.5
200	70	295	266	2-M20	6-φ22	980	44.5
250	70	350	319	4-M20	8-φ22	1160	60
300	76	400	370	4-M20	8-φ22	1410	76
350	76	460	429	6-M20	10-φ22	1505	110
400	89	515	480	6-M24	10-φ26	1650	150
450	89	565	530	8-M24	12-φ26	1850	208
500	114	620	582	8-M24	12-φ26	2100	260
600	114	725	682	8-M27	12-φ30	2350	330
700	117	840	794	10-M27	14-φ30	2620	520
800	117	950	901	10-M30	14-φ33	2920	650
900	117	1050	1001	12-M30	16-φ33	3210	850
1000	150	1160	1112	12-M33	16-φ36	3580	1060
1200	150	1380	1328	14-M36	18-φ39	3890	1420



组成部件:  
 电动执行器  
 阀杆  
 电动连接法兰  
 (GB/T12221/ISO5210. DIN3338)

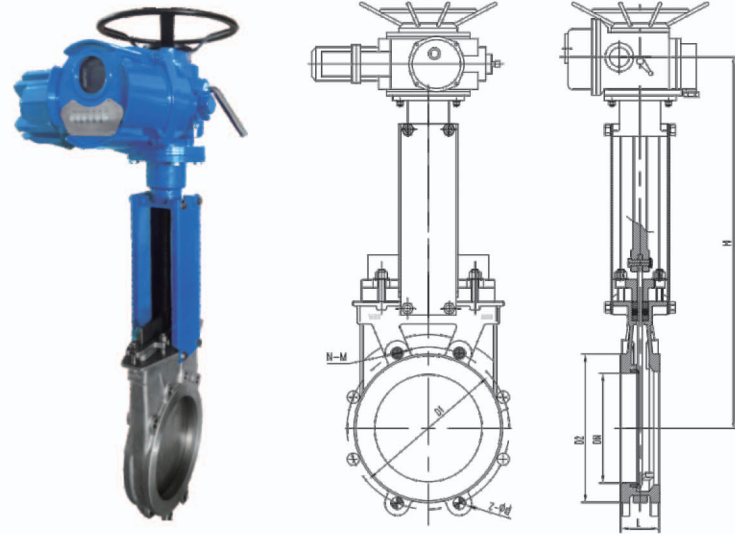
标准电机装置:  
 应急操作手轮  
 内置限位开关  
 转矩开关  
 适用范围: DN50-DN1200  
 各种类型和标准尽可能的满足客户的要求。  
 供应选择: 明杆式(升杆)  
 暗杆式(不升杆)

ELECTRIC ACTUATOR  
 Consist of:  
 • Electric actuator  
 • Rising stem  
 • ISO 5210 /DIN3338 Mounting pad (Top flange)  
 The standard electric motor is equipped with:  
 • Manual emergency operation  
 • Limit switches(open/closed)  
 • Torque switches

Option: Non-rising stem  
 Scope of application: DN50-DN200(Larger diameter as requested)

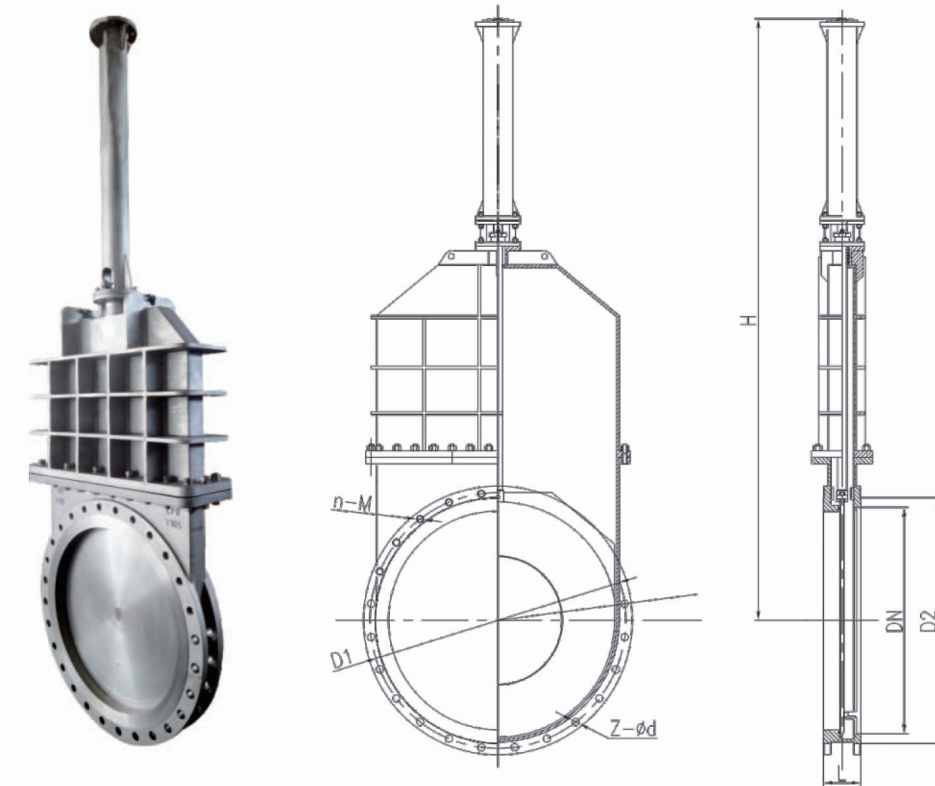
●法兰标准 Drilling standard: EN1092 PN10

DN	L	D1	D2	N-M	z-Φd	H	Weight (KGS)
50	48	125	99	2-M16	2-Φ18	420	52.5
65	48	145	118	2-M16	2-Φ18	440	54
80	51	160	132	2-M16	6-Φ18	490	55.5
100	51	180	156	2-M16	6-Φ18	530	58
125	57	210	184	2-M16	6-Φ18	560	61
150	57	240	211	2-M20	6-Φ22	630	71
200	70	295	266	2-M20	6-Φ22	750	87
250	70	350	319	4-M20	8-Φ22	840	104
300	76	400	370	4-M20	8-Φ22	930	116
350	76	460	429	6-M20	10-Φ22	1080	132
400	89	515	480	6-M24	10-Φ26	1245	228
450	89	565	530	8-M24	12-Φ26	1375	250
500	114	620	582	8-M24	12-Φ26	1575	332
600	114	725	682	8-M27	12-Φ30	1655	390
700	117	840	794	10-M27	14-Φ30	1945	544
800	117	950	901	10-M30	14-Φ33	2145	651
900	117	1050	1001	12-M30	16-Φ33	2375	822
1000	150	1160	1112	12-M33	16-Φ36	2590	1007
1200	150	1380	1328	14-M36	18-Φ39	3100	1380



螺栓连接阀盖设计  
 驱动方式: 齿轮, 气动, 电动或者液动。  
 适用范围: DN500-DN1200 (更大尺寸按客户要求)

Bolted Bonnet Structure  
 Actuator: Gear, Pneumatic, Electric or Hydraulic actuator  
 Scope of application: DN500-DN1200 (Larger diameter as requested)



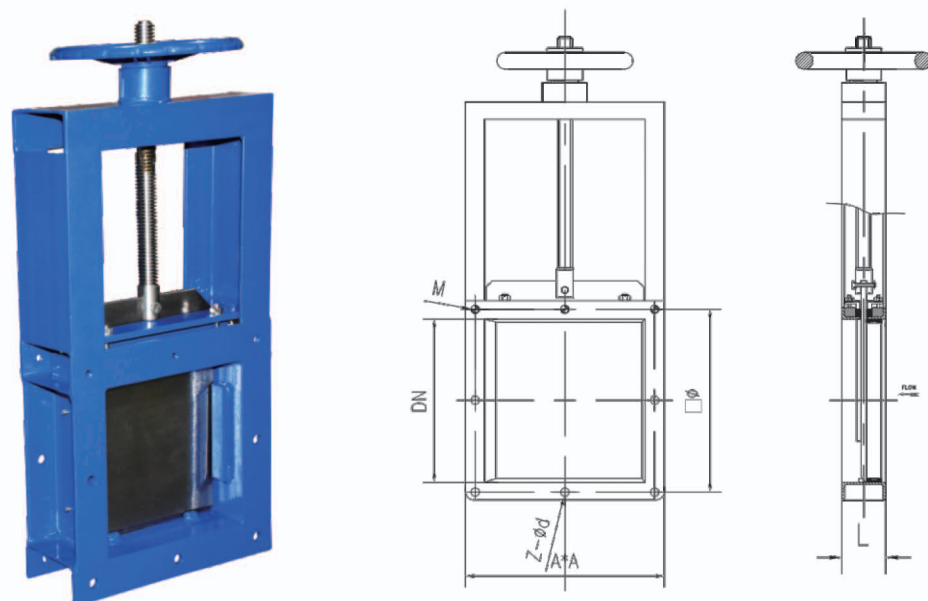
●法兰标准 Drilling standard: EN1092 PN10

DN	L	D1	D2	N-M	z-Φd	H	Weight (KGS)
500	127	620	582	8-M24	12-Φ26	1600	280
600	154	725	682	8-M27	12-Φ30	1800	350
700	165	840	794	10-M27	14-Φ30	2100	470
800	190	950	901	10-M30	14-Φ33	2300	650
900	203	1050	1001	12-M30	16-Φ33	2450	850
1000	216	1160	1112	12-M33	16-Φ36	2600	1100
1200	254	1380	1328	14-M36	18-Φ39	2950	1510



闸门设计通常为方形或者矩形，主要用于排放储存于箱，罐子，漏斗等的固体颗粒和需快速排放的液体。  
碳钢或者不锈钢板焊结构，带弹性橡胶密封达到密封效果。  
驱动方式：手轮，气动，电动或液动。

Slide gate valves are designed for lines with square or rectangular shapes. These valves are mainly used for discharging bins, tanks, under hoppers for the storage of solids products and for highly charged fluids.  
Carbon or stainless steel fabricated construction, with tight sealing by means of an elastomer seal.  
Actuator: Handwheel, Pneumatic, Electric or Hydraulic actuator



●连接按厂家标准 Drilling as manufacturer's standard

DN	L	A*A	□φ	N-M	z-φd	Weight (KGS)
150 × 150	80	230*230	190*190	3-M10	5-φ14	23
200 × 200	80	280*280	240*240	3-M10	5-φ14	27
250 × 250	100	340*340	310*310	3-M12	5-φ14	32
300 × 300	100	390*390	360*360	3-M12	5-φ14	38
350 × 350	100	440*440	410*410	4-M12	8-φ14	58
400 × 400	120	500*500	460*460	4-M14	8-φ16	66
450 × 450	120	550*550	510*510	4-M14	8-φ16	75
500 × 500	140	600*600	570*570	5-M16	11-φ18	85
600 × 600	140	700*700	670*670	5-M16	11-φ18	110

穿透式插板阀设计为分体两片式，双向密封阀座，适用于高浓度介质。双向阀座确保阀门任意方向关闭无阻塞。  
标准对夹式连接 DIN PN10或 ANSI Class 150.

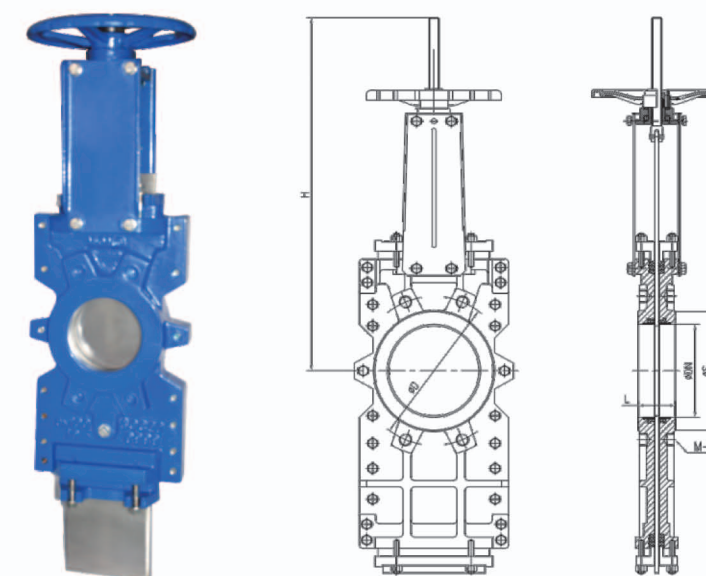
闸板穿透整个阀体，当阀门开启，阀体内腔无清理死角。  
驱动方式：手轮，齿轮，气动，电动或液动。

Through conduit knife gate valves are designed for two split bodies with double seat and for media with high consistency. The double seat design assures a non-clogging shut off on either normal or reverse flow.

The standard drilling is wafer type to suit DIN PN10 or ANSI Class 150 flanges.

The gate slides through the full length of the body. When the valve is in open position, there are no dead corners in it and the valve becomes an extension of the pipe.

Actuator: Handwheel, Bevel Gear, Pneumatic, Electric and Hydraulic actuator.



●法兰标准 Drilling standard: EN1092 PN10

DN	L	D1	D2	N-M	z-φd	H	Weight (KGS)
50	48	125	99	2-M16	2-φ18	348	20
65	48	145	118	2-M16	2-φ18	388	25
80	51	160	132	2-M16	6-φ18	413	28
100	51	180	156	2-M16	6-φ18	488	35
125	57	210	184	2-M16	6-φ18	564	40
150	57	240	211	2-M20	6-φ22	635	55
200	70	295	266	2-M20	6-φ22	809	80
250	70	350	319	4-M20	8-φ22	946	115
300	76	400	370	4-M20	8-φ22	1118	145
350	76	460	429	6-M20	10-φ22	1282	185
400	89	515	480	6-M24	10-φ26	1441	295
450	89	565	530	8-M24	12-φ26	1587	350
500	114	620	582	8-M24	12-φ26	1809	530
600	114	725	682	8-M27	12-φ30	2060	675



矿浆阀设计为分体两片式，双向紧密阀座，适用于各种矿渣或浆料，该设计不同于常规的刀闸阀，很好地避免了浆料堆积在阀座部位，保持闸板通道和阀座干净畅通，无阻塞。

Rubber sleeve slurry knife gate valve is designed for two split bodies with drop-tight seal and for different slurry applications, which prevents slurry build-up in the seat area and keeps the gate path and seat area clear of entrapped particulates, unlike traditional knife gate valves.

**设计特点:**

- 100% 通道全开启
- 耐磨可更换阀座
- 紧密双向密封
- 腔全封闭，防止浆料等介质堆积

阀座材质: 标准天然橡胶NR(EPDM, NBR或其它要求的材质)。

标准连接 DIN PN10或 ANSI Class 150。

驱动方式: 手轮, 齿轮, 气动, 电动或液动。

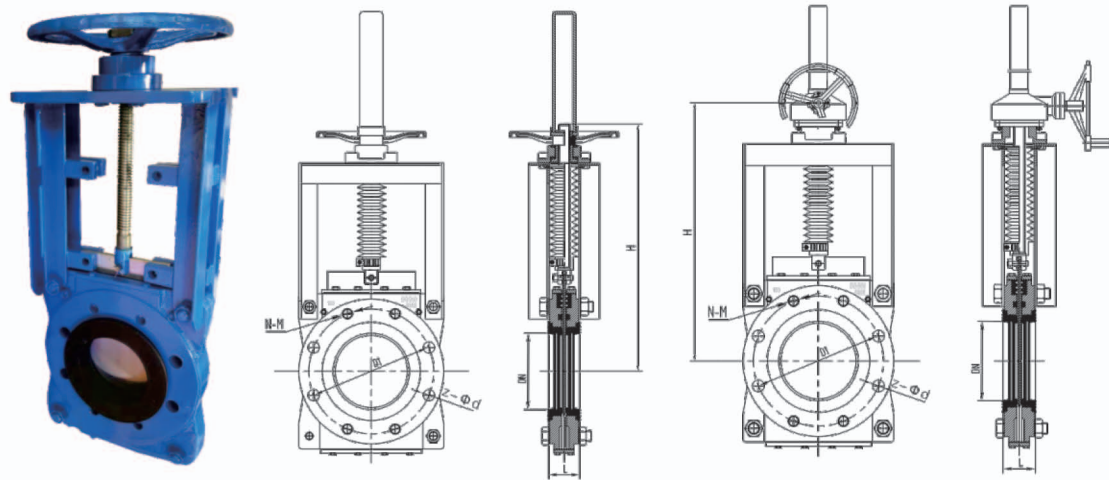
**Features:**

- 100% full-port opening
- Abrasion resistant replaceable sleeves
- Drop-tight, bi-directional shut off
- Eliminates seat cavity which prevents slurry build up

Available sleeve materials: standard Natural Rubber (EPDM, NBR or other materials on request)

The standard drilling is wafer type to suit DIN PN10 or ANSI Class 150

Actuator: Hand wheel, Bevel Gear, Pneumatic, Electric and Hydraulic actuator.



● **法兰标准 Drilling standard: EN1092 PN10**

**手轮矿浆阀 Rubber Sleeve Slurry Knife Gate Valve (hand wheel DN50-DN300)**

DN	L	D1	D2	N-M	z-Φd	H	Weight (KGS)
50	54	125	99	4-M16	2-Φ18	300	11
65	54	145	118	4-M16	2-Φ18	330	12.5
80	57	160	132	4-M16	4-Φ18	350	15
100	57	180	156	4-M16	4-Φ18	390	18
125	63.5	210	184	4-M16	4-Φ18	440	23
150	63.5	240	211	4-M20	4-Φ22	490	30
200	76	295	266	4-M20	4-Φ22	600	40
250	76	350	319	8-M20	4-Φ22	665	50
300	82.5	400	370	8-M20	4-Φ22	760	70

**齿轮矿浆阀 Rubber Sleeve Knife Gate Valve (gear operated DN350-DN800)**

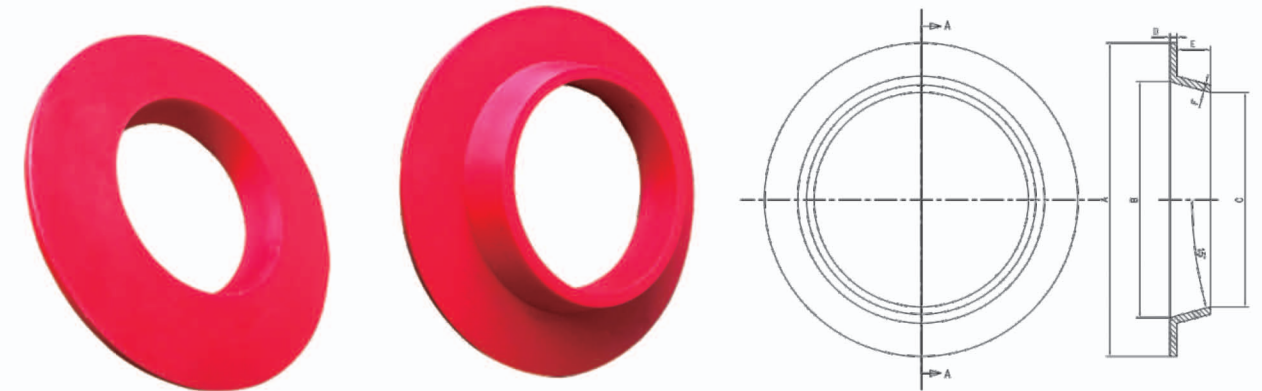
DN	L	D1	D2	N-M	n-Φd	H	Weight (KGS)
350	82.5	460	429	12-M20	4-Φ22	880	135
400	95	515	480	12-M24	4-Φ26	965	190
450	95	565	530	16-M24	4-Φ26	1155	220
500	121	620	582	16-M24	4-Φ26	1265	270
600	121	725	682	16-M27	4-Φ30	1420	380
700	181	840	794	20-M27	4-Φ30	1630	490
800	206	950	901	20-M30	4-Φ33	1840	650

聚氨酯漏斗用以延长阀门寿命并保护阀门免受磨损。它易于更换，更换成本比整个阀门更换低得多。它们用于灰处理系统，旋风进料和排料，泵箱排水和集尘系统。聚氨酯漏斗重量轻，耐腐蚀。

单向刀闸阀的阀座是凸出来的，当阀门打开时，阀座会被介质冲刷。尤其当处理诸如采矿泥浆的高侵蚀性介质时，它会对阀座造成侵蚀性损坏。为了在这种情况下为阀座提供保护，通常使用聚氨酯漏斗。

Polyurethane Deflection Cone is provided to pro-long valve life and to protect the valve from wear and tear. It is easily replaceable and is less expensive to replace than the entire valve. They are used in ash handling systems, cyclone feeds and discharge, pump box drains and dust collection systems. Polyurethane Deflection Cones are light in weight and are corrosion resistant.

Unidirectional knife gate valves have a raised seat that faces the flow when the valve is open. It can cause erosive damage of the seat when highly erosive media such as mining slurry are being handled. To provide protection to the seat in such situations, deflection cones are generally used.



● **Dimensions of Deflection Cone**

DN	A	B	C	D	E	F
50	90	48	40	5	19	5
80	125	78	65	5	20	5
100	150	98	80	5	20	5
125	180	124	100	5	24	5
150	210	150	130	6	24	6
200	265	200	178	6	30	6
250	320	250	224	6	30	6
300	370	298	278	8	32	8
350	410	348	320	8	32	8
400	465	395	360	8	36	8
450	530	445	408	10	36	10
500	580	495	458	10	48	10
600	680	595	550	10	48	10
700	800	690	650	10	49	10
750	855	740	700	10	47.5	10
900	1010	890	850	10	45	10