

# Sfere720A Sfere720B



- Modbus Interface
- Energy Accuracy 0.5S
- Pulse Output
- Harmonics (Only Sfere720B)
- Neutral Current Input (Only Sfere720B)
- 4 Tariffs (Only Sfere720B)
- Data Record (Only Sfere720B)



## FUNCTION

<b>Networks</b> -TN, TT, IT networks	<b>Communication</b> -Interface: RS485 -Protocol: Modbus-RTU
<b>Accuracy</b> -Energy: 0.5S -Voltage: 0.2% -Current: 0.2%	<b>Power Quality(Sfere720B)</b> -THD -Harmonics up to 51st -Unbalance -Sequence component -Crest factor and K factor
<b>Data Log (Sfere720B)</b> -Demand record -Max./Min. value record -Off-limit record -SOE record	



## APPLICATIONS

- Data Acquisition
- Energy Management
- Remote Power Monitoring

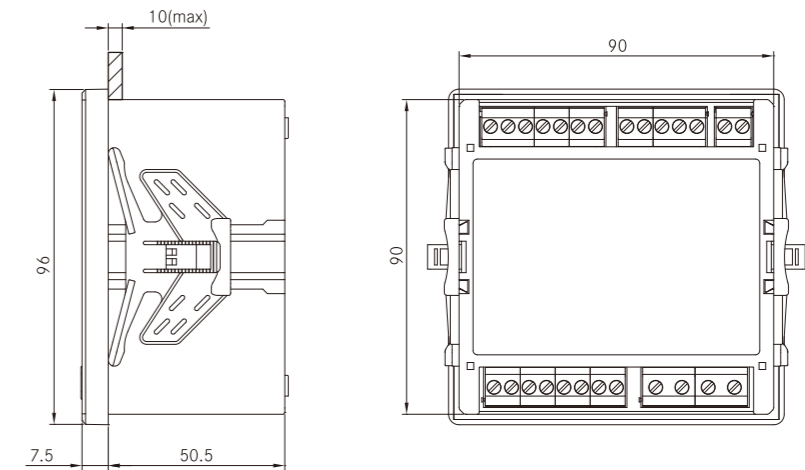


## MAIN FEATURES

<b>Measuring</b> -Demand -Max./Min. Value	<b>Power Quality (Sfere720B)</b> -Harmonics up to 51st -Sequence component -Unbalance -Crest factor and K factor
<b>Energy Metering</b> -Bi-directional energy -Four-quadrant reactive energy -Tariff energy (Sfere720B)	



## DIMENSIONS



## TYPICAL WIRING

