



CisoLube
LUBRICATION SYSTEM



GT-PLUS SERIES PUMP



Characteristics

- LUBRICANTS
oil
NLGI#000 to
NLGI#2
- RESERVOIRS
2/4/8L
- VOLTAGES
12VDC/24VDC/
220V/380V
- Multiple grease
filling ways
- Powerful control
system
- CE Certification
- Design patent
- IP65

THE SMALL PUMP PACKAGE WITH BIG FEATURES

DESIGN AND ADVANCED SOLUTIONS



GT-PLUS is a piston pump

predisposed to operate with a maximum of five
pumping units, its design is particularly suitable for progressive systems.

Max Five outlets line lubrication at the same time.

Output can be combined and increase displacement.

With special materials, to achieve excellent anti-shock ability.

Special design of pump make it easy to observe the oil level and prevent UV
radiation, prevent oil deterioration. With low level alarm, flashing buzzer.

Also can choose the type of output.

There are two model modes:

Standard: can be managed by an external PLC. Since it does not come with
an internal control unit, this is the most economic solution for lubricating
your systems.

Automatic: With integrated control system, which can be set up local
running time. Equipped with local operation and alarm light, alarm with
buzzer, provide low level and pulse alarm, which can be combined with the
monitor of distribution units into a perfect operating system.

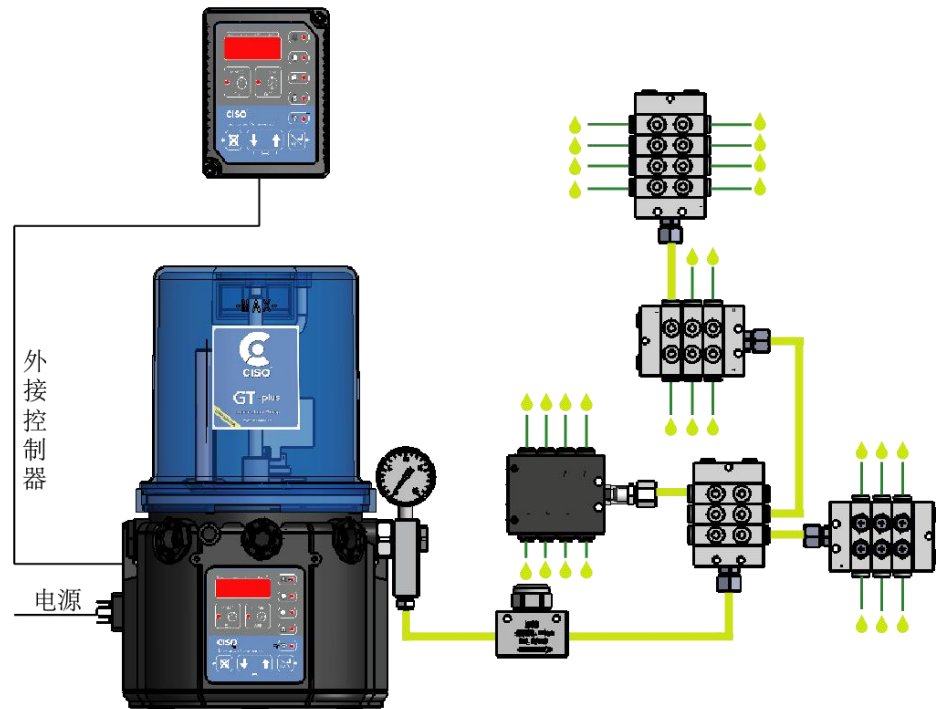
Application

- Construction machinery
- Agricultural equipment
- Wind power equipment
- Press machine
- Mining equipment
- Ship and Marine engineering
- Food and drinking
- Textile

Technical information:

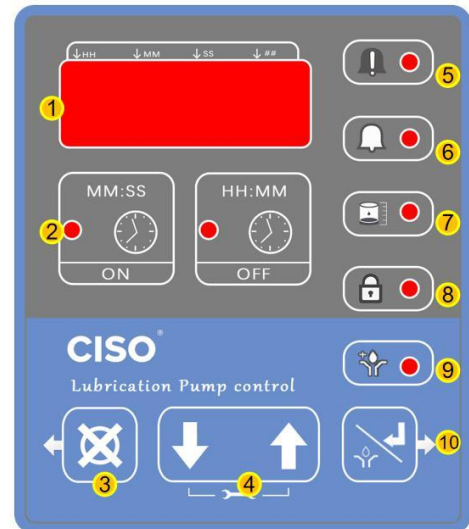
TECHNICAL CHARACTERISTICS	
Unit of pump outlets	max 5 unit
Outlet thread	G1/4
Rated flow	2ml、3ml、 4ml/min
Operating pressure	35MPa Max
Reservoir Capacity	2、 4、 8L
Lubricants	Oil or NLGI#000 to NLGI#2
Operating temperatures	-40-90°C

System production case:



Control System:

- Clear panel
- Programs that can be designed
- It can be password protected
- Sound alarm
- Low level alarm
- Accept proximity switch
- Excellent shock resistance
- Pre lubrication button
- IP65



- 1 Easy to read LED display
- 2 Legible on/off instructions
- 3 Reset function
- 4 Easy to use navigation keys
- 5 Alarm signal of lube system shutdown
- 6 Warning signal prior to lube system shutdown
- 7 Low level indication
- 8 Access to the control device is password protected
- 9 Pre-lube capability
- 10 Manually run/Confirm

Grease gun kits:

Legend:

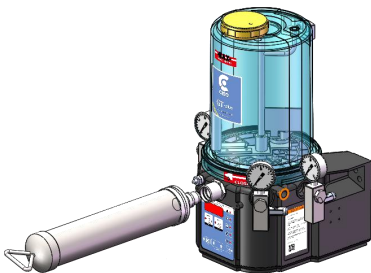


DESCRIPTION	PART NUMBER
Grease GUn Kits	MG500
Follower Plate	95660C

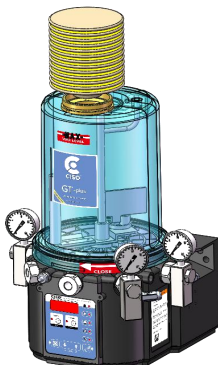


Fill Grease Type:

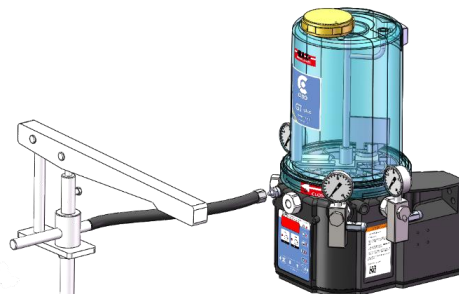
1 with grease gun kits



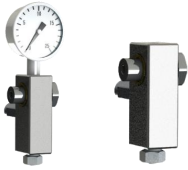
2 with cartridge



3 with hand pump



Pump outlet assembly:



DESCRIPTION	PART NUMBER
20MPa With pressure gauge	80532PG
20MPa Without pressure gauge	80532
25MPa With pressure gauge	80533PG
25MPa Without pressure gauge	80533

Pumping Element:



DESCRIPTION	PART NUMBER
6mm; 4ml/min	80536

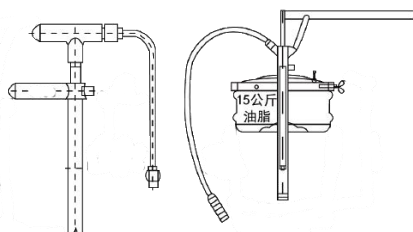
Standard is 4ml/min,
Through the gasket, Adjustable to 3ml or 2ml/min

Grease Filling Quick Fitting:



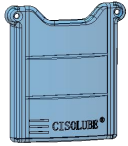
DESCRIPTION	PART NUMBER
Male R1/4	80220
Female R1/4	80221

Manual Filling Equipment:



DESCRIPTION	PART NUMBER
Simple Type	GF50
With cover and follower plate	PGF50

Controller cover:



DESCRIPTION	PART NUMBER
PC	97116

Mounting bracket:



DESCRIPTION	PART NUMBER
Mounting bracket	90234

Pressure switch:



DESCRIPTION	PART NUMBER	THREAD
Adjustable Type	91346	G1/4
20MPa	96520	M10*1
25MPa	96521	G1/4

Quick Filling Cartridge:



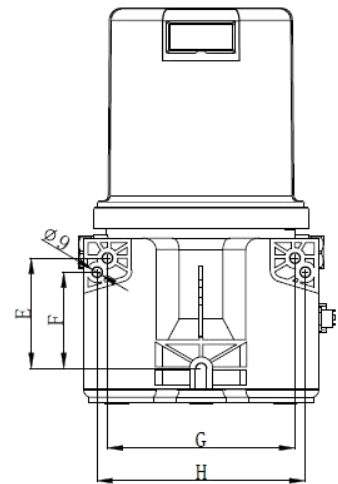
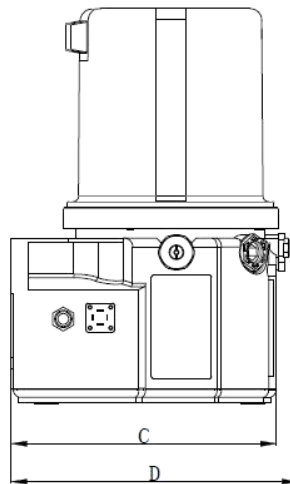
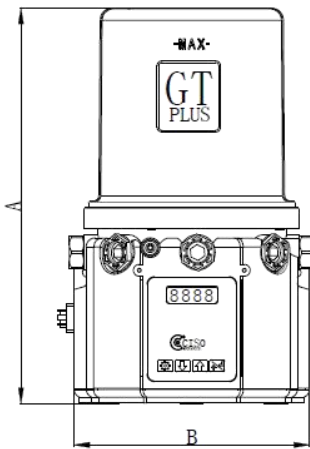
DESCRIPTION	PART NUMBER
Grease	CSL-C100
Grease	CSL-J100

Dimensions:

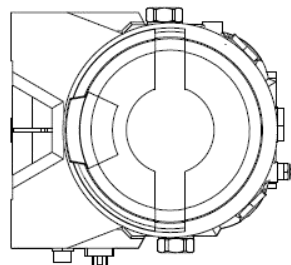
Grease Version



Oil Version



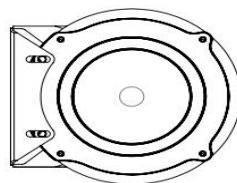
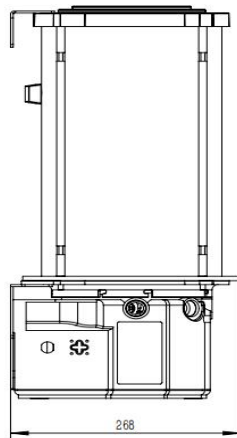
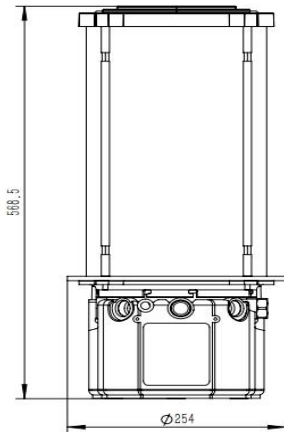
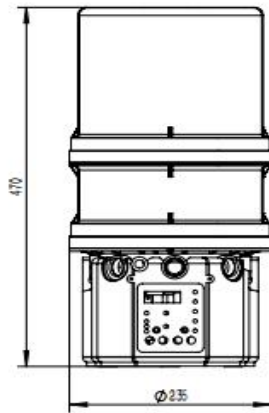
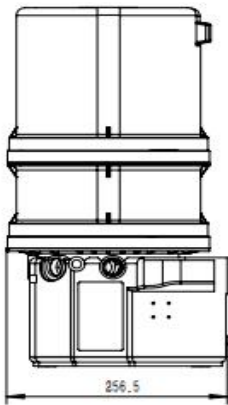
安装孔



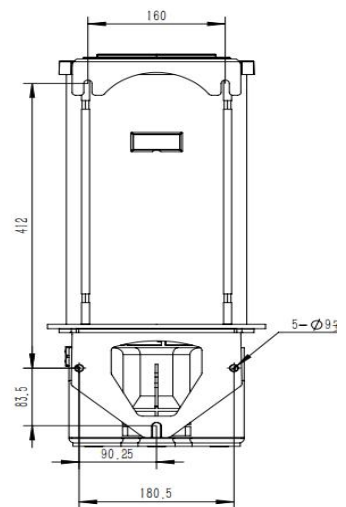
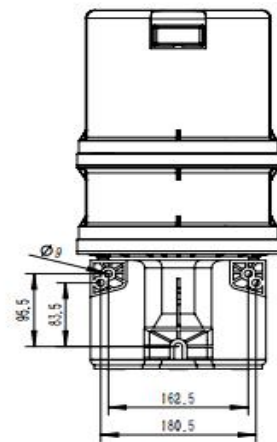
Reservoirs	A	B	C	D	E	F	G	H
2L	338	204	229.5	248	95.5	83.5	162.5	180
4L	378	204	229.5	248	95.5	83.5	162.5	180

Dimensions:

8L Version



Heavy 8L Version



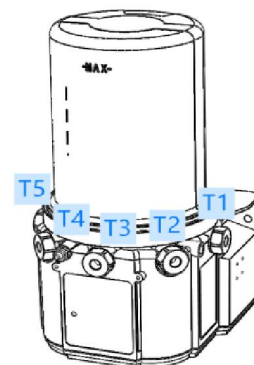
Ordering information:

1、 Order the GT-PLUS pump for the upper grease cover. Please add -C after the standard part number.

For example: 20D220-C



2、 Every factory GT pump is equipped with a pump element at the T1 position. Customers can purchase pump element and install them in positions T2 through T5!



Ordering information:

STIR VERSION				
Type	Lubricants	Voltages	Reservoirs	Part number
Standard	Grease	12VDC	2	20D226
			4	20D426
			8	20D826
		24VDC	2	20D246
			4	20D446
			8	20D846
		220VAC	2	20D266
			4	20D466
			8	20D486
	Oil	12VDC	2	21D226
			4	21D426
			8	21D826
		24VDC	2	21D246
			4	21D446
			8	21D846
		220VAC	2	21D626
			4	21D646
			8	21D686

Ordering information:

STIR VERSION				
Type	Lubricants	Voltages	Reservoirs	Part number
Automatic	Grease	12VDC	2	20D221
			4	20D421
			8	20D821
		24VDC	2	20D241
			4	20D441
			8	20D841
		220VAC	2	20D261
			4	20D461
			8	20D481
	Oil	12VDC	2	21D221
			4	21D421
			8	21D821
		24VDC	2	21D241
			4	21D441
			8	21D841
		220VAC	2	21D621
			4	21D641
			8	21D681

Ordering information:

Follower Plate Version				
Type	Lubricants	Voltages	Reservoirs	Part number
Standard	Grease	12VDC	2	20E226
			4	20E426
			8	20E826
		24VDC	2	20E246
			4	20E446
			8	20E846
		220VAC	2	20E266
			4	20E466
			8	20E486
	Oil	12VDC	2	21E226
			4	21E426
			8	21E826
		24VDC	2	21E246
			4	21E446
			8	21E846
		220VAC	2	21E626
			4	21E646
			8	21E686

Ordering information:

Follower Plate Version				
Type	Lubricants	Voltages	Reservoirs	Part number
Automatic	Grease	12VDC	2	20E226
			4	20E426
			8	20E826
		24VDC	2	20E246
			4	20E446
			8	20E846
		220VAC	2	20E266
			4	20E466
			8	20E486
	Oil	12VDC	2	21E226
			4	21E426
			8	21E826
		24VDC	2	21E246
			4	21E446
			8	21E846
		220VAC	2	21E626
			4	21E646
			8	21E686



CISO

LUBRICATION SYSTEM

Yantai Ciso Lubrication Technology Co.,Ltd

Tel:0535-6919346 Fax:0535-6919567



MADE IN CHINA



www.cisolube.com