



# PMV SERIES PUMP





## Characteristics

- 12 OULETS
- MATERIAL: CAST IRON
- MATERIAL: CAST IRON
- ALUMINIUM BASE

## Applications

- COMBINE HARVESTERS
- ROUND BALERS
- PICKER
- MOWER
- SPREADER
- DISC MOWERS

# THE SYSTEM FOR AGRICULTURAL MACHINERY CHAIN

**PMV** is a multi-point piston

pump operated by a cam system

and designed to feed several independent lines up to a maximum of 12 outlets.

Characterised for its robustness and reliability, it is particularly suitable for lubricating systems installed in difficult environments.

The pump is designed to supply single-point lubrication systems in agricultural machinery and various kinds of machinery for use with oil.

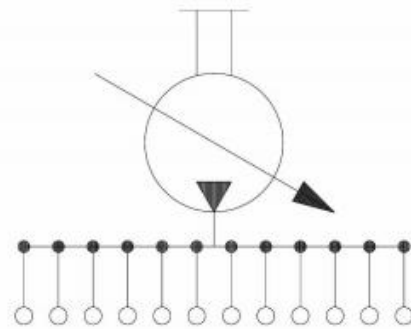
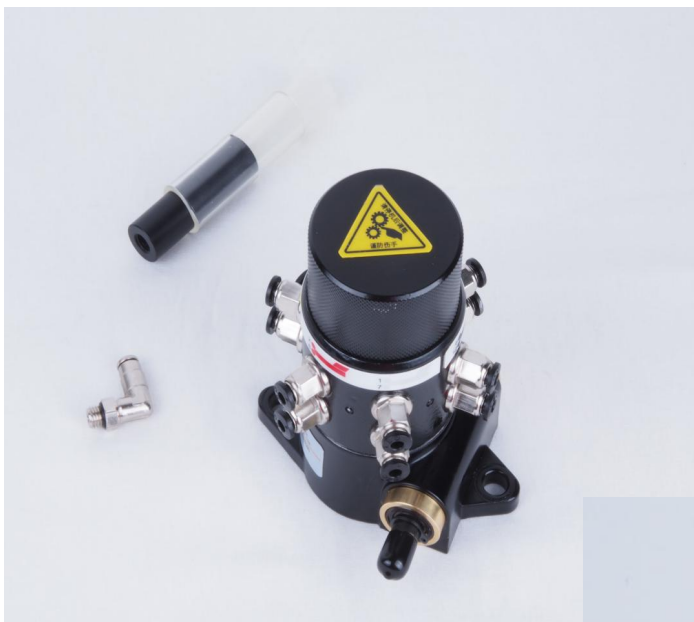
The "PRM" pump is designed to operate with a maximum of six pistons, which are easily adjustable on 12 outlets.

The pump is designed for merging outlets (to be defined during the order phase); the same will be provided directly to the merged outlets according to your specifications. Merging the two outlets will allow for the nominal flow rate of a single outlet to be doubled.

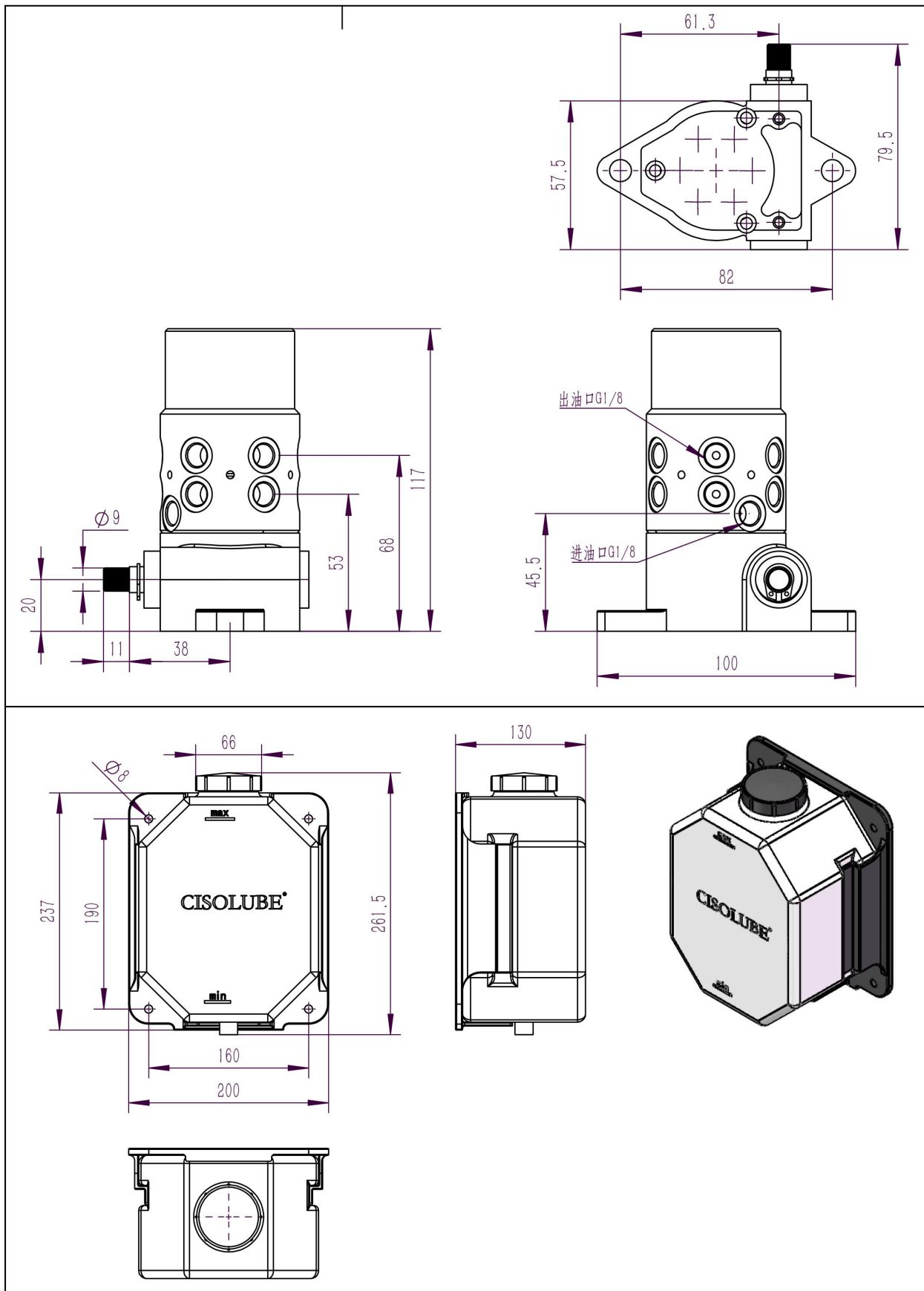


Technical Data

Inlet:	Ø 10
RESERVOIR	4L
Suction height:	≤500mm
FILTER Rate	20U
Output:	Ø 4
Ratio:	11.5: 1
Operating pressure:	Max 10Bar
Output rate	Max 0.06cc/cyc
Viscosity range:	25-1500cst

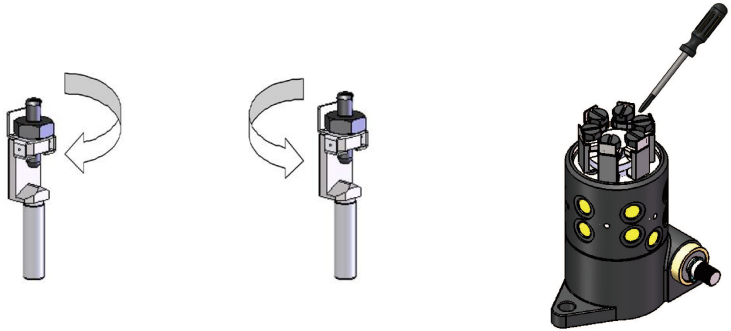



Dimensiions



Displacement adjustment

Do not use power tools



 Please adjust after shutdown

Justification range

Frequency	Displacement ±10%
0	60 mm <sup>3</sup> /stroke
1	57 mm <sup>3</sup> /stroke
2	53 mm <sup>3</sup> /stroke
3	50 mm <sup>3</sup> /stroke
4	47 mm <sup>3</sup> /stroke
5	44 mm <sup>3</sup> /stroke
6	41 mm <sup>3</sup> /stroke
7	37 mm <sup>3</sup> /stroke
8	34 mm <sup>3</sup> /stroke
9	31 mm <sup>3</sup> /stroke
10	27 mm <sup>3</sup> /stroke
11	24 mm <sup>3</sup> /stroke
12	21 mm <sup>3</sup> /stroke
13	17 mm <sup>3</sup> /stroke
14	14 mm <sup>3</sup> /stroke
15	11 mm <sup>3</sup> /stroke
16	8 mm <sup>3</sup> /stroke
17	4 mm <sup>3</sup> /stroke

## PMV PUMP



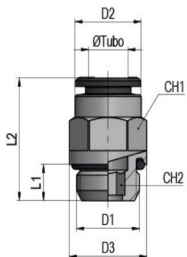
P.N	Inlet OD	Ratio
P12M10	Ø10	11.5:1
P12M08	Ø8	11.5:1

## Reservoir



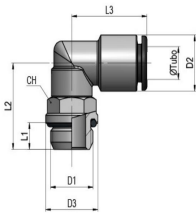
P.N	TECHNICAL SPECIFICATIONS
RV10	Outlet OD10mm; 4l ,With Filter
RV10E	Outlet OD10mm; 4l ,With Double filter
RV08	Outlet OD 8mm; 4l ,With Filter
RV08E	Outlet OD 8mm; 4l ,With Double filter

## Straight Fitting, male



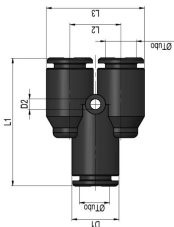
P.N	OD	D1	D2	L1	L2
AP120418	Ø4	G1/8	9	7.5	18.5
AP1204M8	Ø4	M8*1	9	8	20
AP1204M10	Ø8	G1/8	9	8	20
AP121018	Ø10	G1/8	12	7.5	21.5
AP120814	Ø8	G1/4	12	8	25.5
AP121018	Ø10	G1/8	12	8	25.5

**Elbow Fitting, male 2Mpa**



P.N	OD	D1	D2	L1	L2
AP160418	Ø4	G1/8	9	7.5	20
AP1604M8	Ø4	M8*1	9	8	20.5

**Tee Fitting**



P.N	OD	D1	D2	L1	L2
AP370404	Ø4	G1/8	9	7.5	20
AP370606	Ø4	M8*1.0	9	8	20.5

**Brushes**



P.N	Length	Inlet	Body Material
MS-O1	65mm	M10*1	Aluminum
MS-B01	100mm	M8*1	NYLON

**Nylon Tubing**



P.N	Piping outer diameter	Piping Inside diameter
T-BP06	Ø6	Ø3
T-BP04	Ø4	Ø2.5
T-BP08	Ø8	Ø6
T-BP10	Ø10	Ø8

## Plastic helix



P.N	OD	Piping outer diameter
THL08	Ø8	8.6
THL10	Ø10	11

## R Pipe clamp



P.N	OD	Mounting hole
RC06	Ø6	6.4mm
RC08	Ø8	6.4mm
RC10	Ø10	6.4mm
RC12	Ø12	6.4mm
RC14	Ø14	6.4mm
RC16	Ø16	6.4mm
RC18	Ø18	6.4mm
RC20	Ø20	6.4mm
RC22	Ø22	6.4mm
RC25	Ø25	6.4mm
RC28	Ø28	6.4mm
RC30	Ø30	6.4mm





# CISO

LUBRICATION SYSTEM

## 烟台西索润滑技术有限公司

Yantai Ciso Lubrication Technology Co.,Ltd

山东省烟台市高新区纬三路30号

Tel:0535-6919346 Fax:0535-6919567

---

## 烟台西索润滑技术有限公司长沙分公司

Changsha Office

湖南省长沙市开福区芙蓉中路一段113号华创国际广场B座1301室

Tel:0731-84481381 Fax:0731-84481381



MADE IN CHINA



[www.cisolube.com](http://www.cisolube.com)