

# Specification

**Product name: 2D Corded Image scanner**

**Product Model: A-9295**



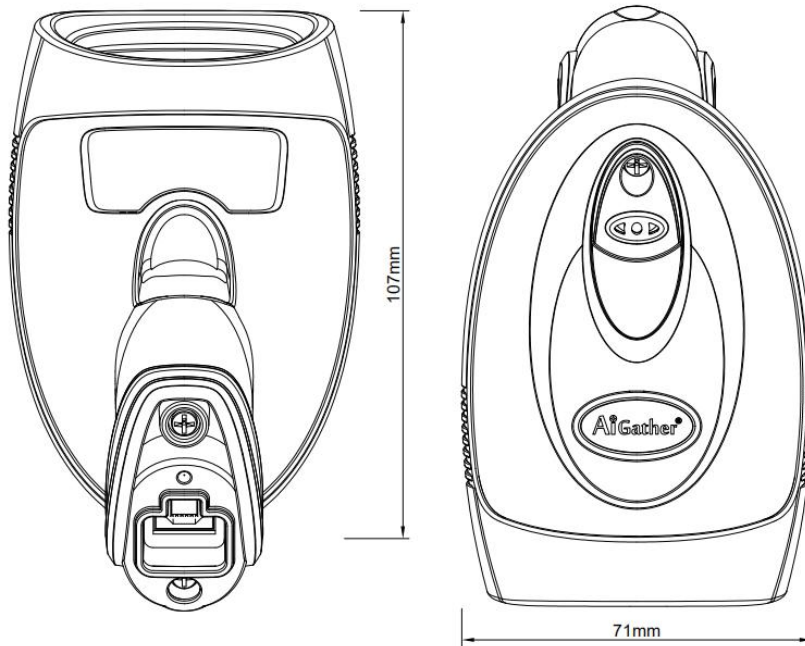
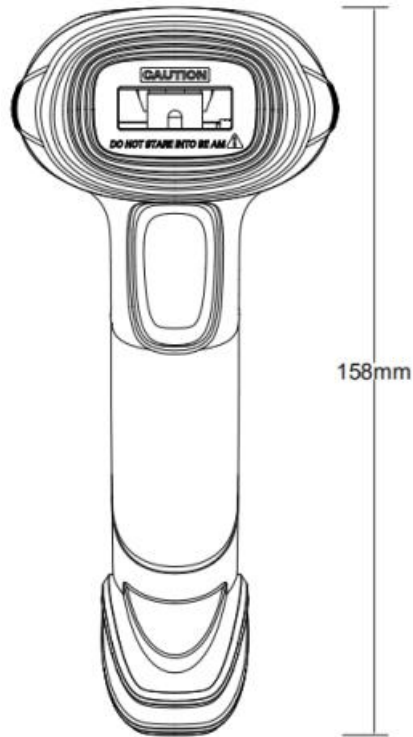
## A-9295 Features

- 4mils precision superior performance.
- Rugged dust and water-resistant design.
- Supports free switch between handheld & auto-detection mode.
- Accurate identification of universal 1D&2D barcode.
- Reads even poor quality labels well.
- Works with Microsoft Windows/Linux/Android/iOS/MacOS systems.

## A-9295 Main Part



## A-9295 Dimensions



### Performance Parameter

Light Source	LED White light		
Image sensor	640*480 pixels		
Resolution(maximum)	0.102mm / 4mils		
Print contrast ratio(minimum)	≥20%		
Reading Angle	Pitch: 0-360°; Roll(Tilt): ±60°; Skew (Yaw): ±60°		
Decoding Capability	1D: All standard 1D codes, including GS1 DataBar™ linear code can be automatically distinguished and decoded. 2D: Aztec Code; Data Matrix; MaxiCode; QRCode; HANXIN; MicroQR Code Stack code: GS1 DataBar Expanded Stacked; GS1 DataBar Stacked; GS1 DataBar Stacked Omnidirectional; GS1 DataBar Composite; MicroPDF417; PDF417.		
Reading Indicators	LED light&Buzzer(adjustable tone and volume)		
Typical depth of Field	Precision	Barcode	Depth of Field
	3.34mil	CODE 128	10mm—60mm
	5mil	CODE128	5mm—90mm
	3.34mil	EAN-13	10mm—55mm
	5mil	EAN-13	5mm—85mm
	13.34mil	EAN-13	20mm—190mm
	5mil	PDF417	5mm—75mm
	10mil	PDF417	5mm—190mm
	15mil	PDF417	10mm—200mm
	10mil	DM	5mm—100mm
	20mil	DM	5mm—210mm
	(The minimum depth of field is determined by the barcode length and scanning angle. It depends on the print resolution, contrast and ambient light.)		

### Physical characteristics

Color available	Black
Dimensions (L*W*H)	71*107*158mm
Weight	157g
Cable	2m

### Electrical Parameter

Current	Working current (Standard): < 270 mA    Standby current (Standard): < 35 mA
Input Voltage	5 VDC (+/- 10%)/500mA

### Environmental Parameter

ESD protection(Air discharge)	8 kV
Drop resistance	Withstands repeated drops from 1.2m/4.0 ft onto a concrete surface.
Particulate and water sealing	IP52
Temperature	Operation: -20 to 40 °C Storage/Transport: -40 to 70 °C
Humidity(non-condensing)	5 - 95%
Ambient light	Indoor: 0 to 6,000 lux; Outdoor: 0 to 86,000 lux

### Interfaces

Interfaces	RS-232; USB HID; USB COM; HID POS available as per customer's needs
------------	---

### Warranty

18/months

## Product maintenance tips?

1. The reading window must be kept clean.
2. Avoid hard and rough objects to wear or scratch the reading window;
3. Use a brush to remove stains on the reading window;
4. Please use a soft cloth to clean the window, such as glasses cleaning cloth;
5. It is forbidden to spray any liquid on the window;
6. It is forbidden to use any cleaning agents other than clean water.

## A-9295 Factory standard & Packaging size

<b>Model</b>	A-9295	<b>Interface</b>	USB、USB COM
<b>Scanner (1PCS)</b>	157g	<b>Color</b>	Black&Royal blue
<b>Status</b>	Scanner and cable are split	<b>Cable</b>	2.0m
<b>Official standard</b>	Scanner/USB cable/manual/packaging box		