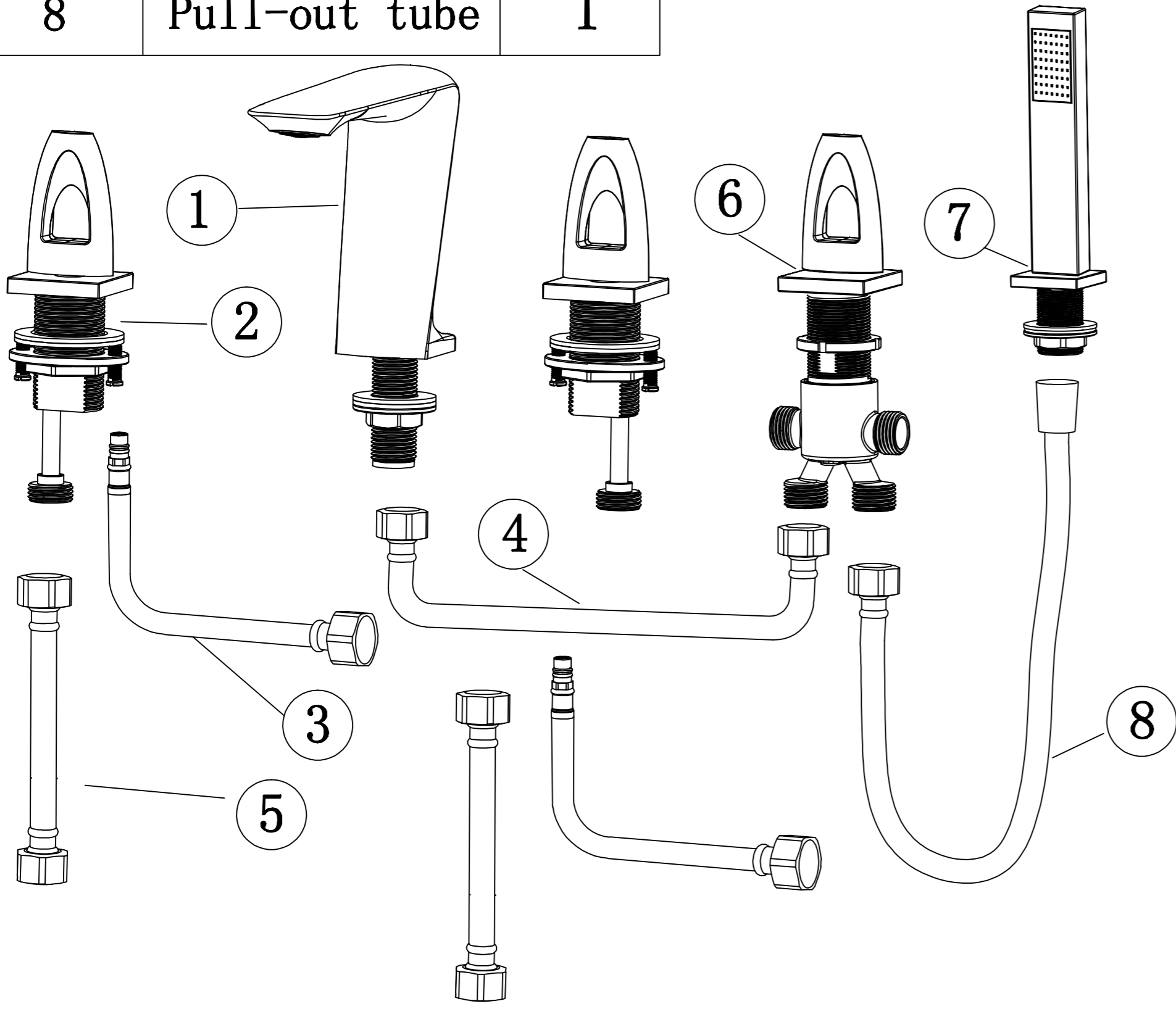
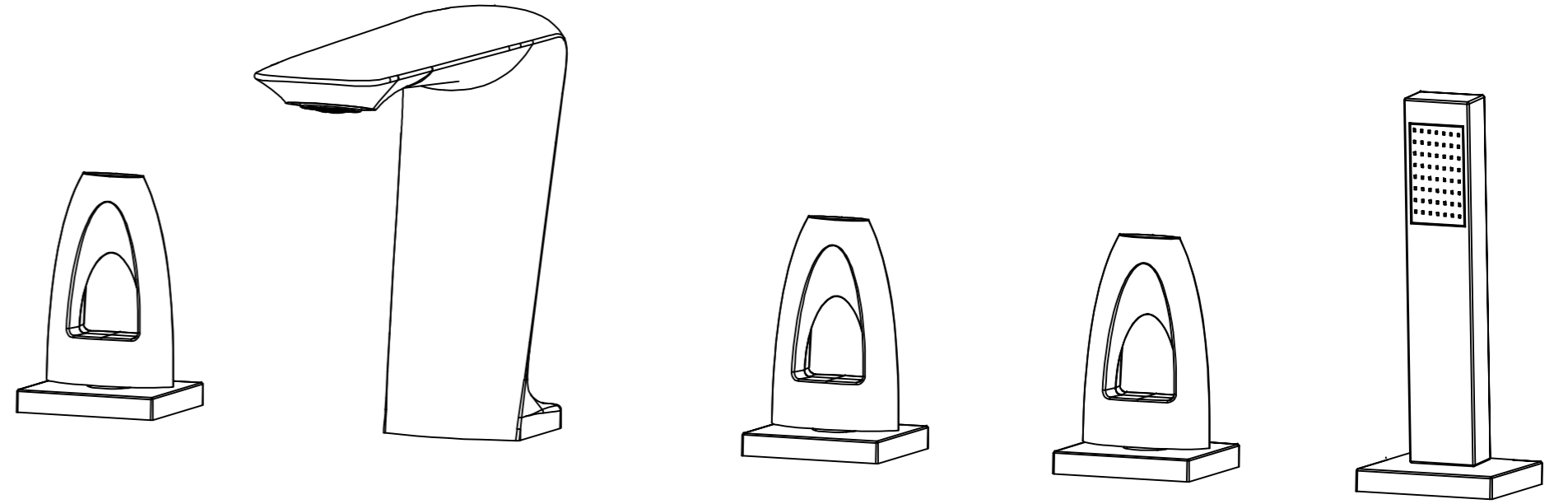


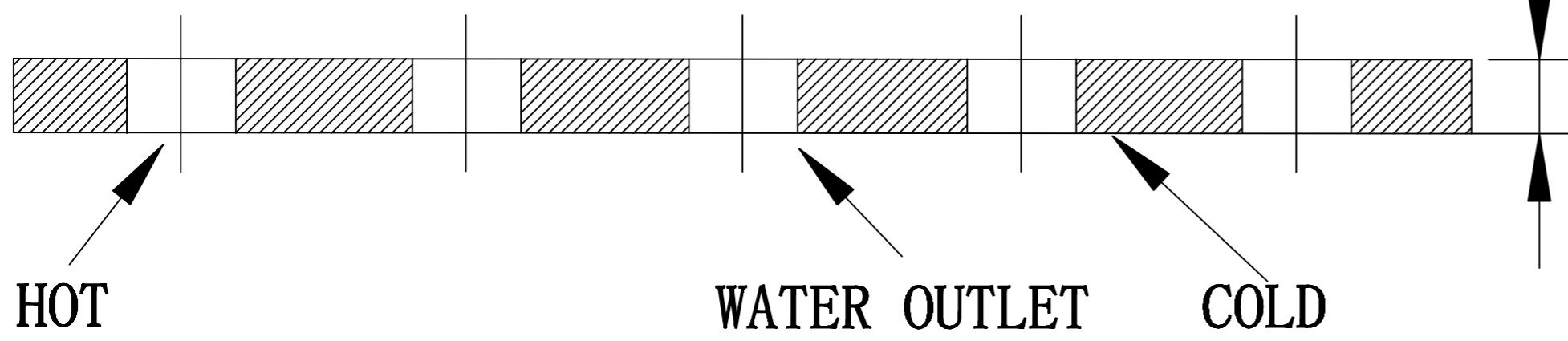
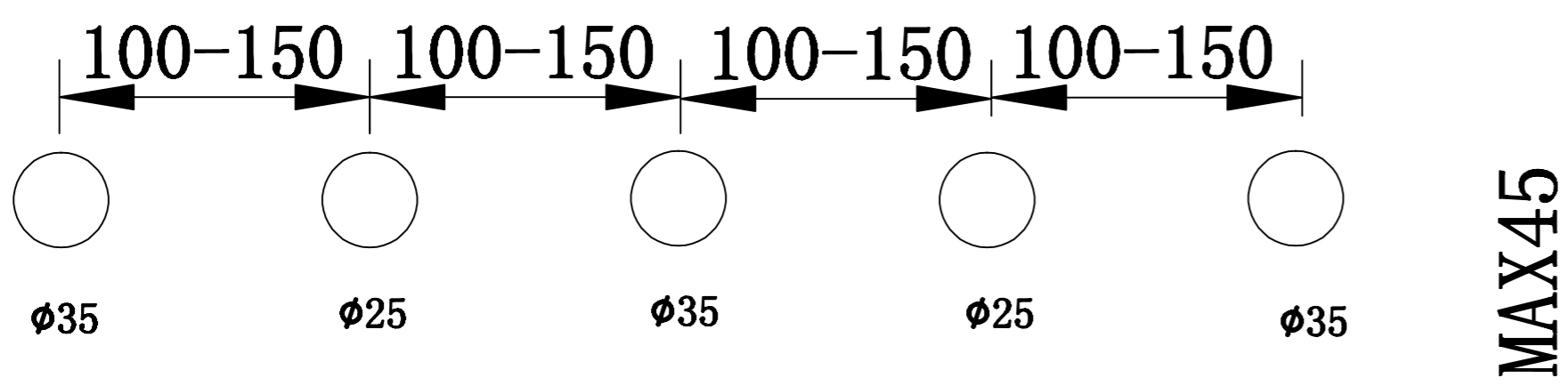
NO.	Name	Qty
1	Body	1
2	Side Body ASSY	2
3	Center Tee	2
4	Center Tee	1
5	Hose	2
6	Water separator assembly	1
7	Showerhead assembly	1
8	Pull-out tube	1



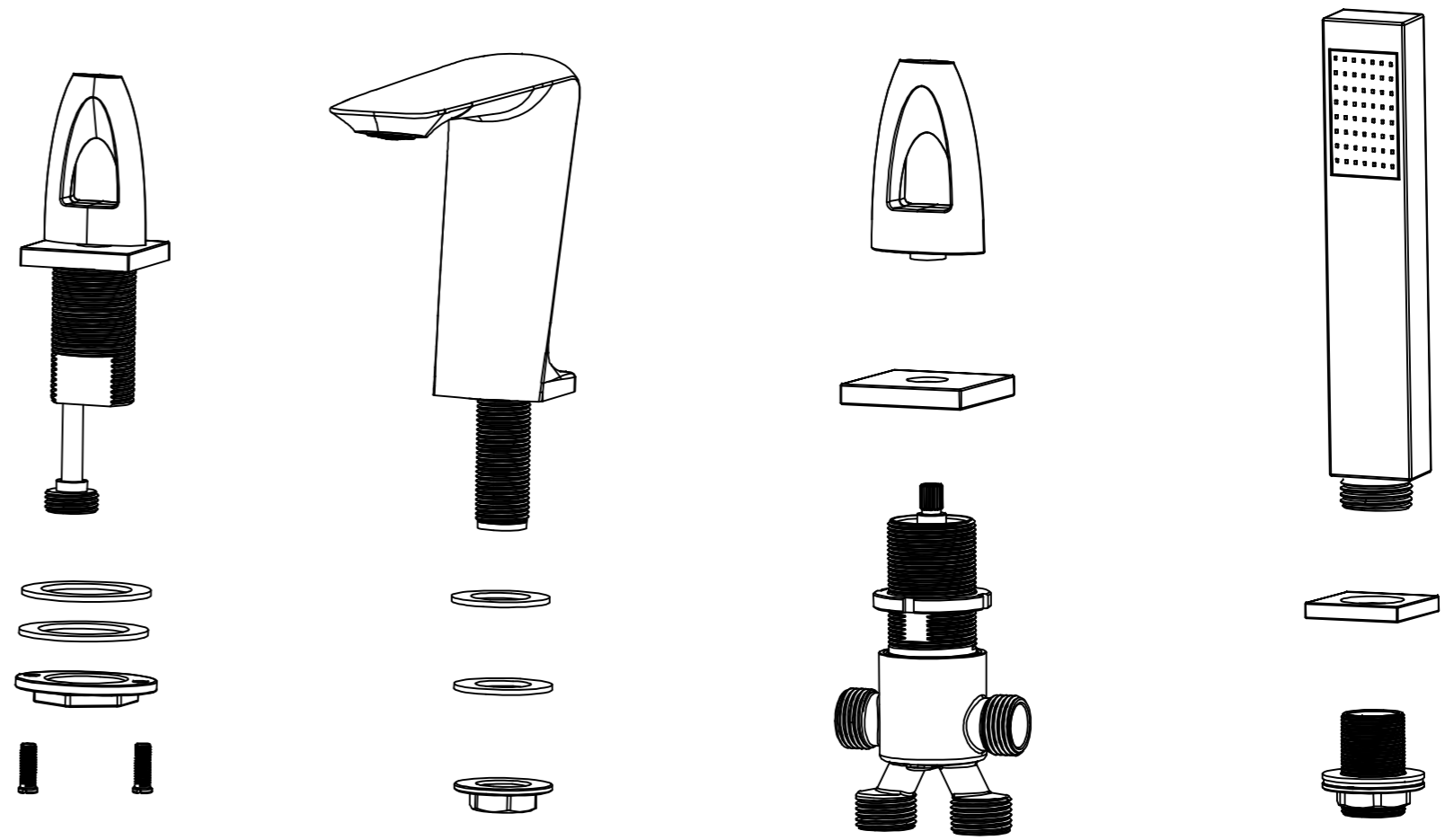
INSTRUCTION FOR INSTALLATION



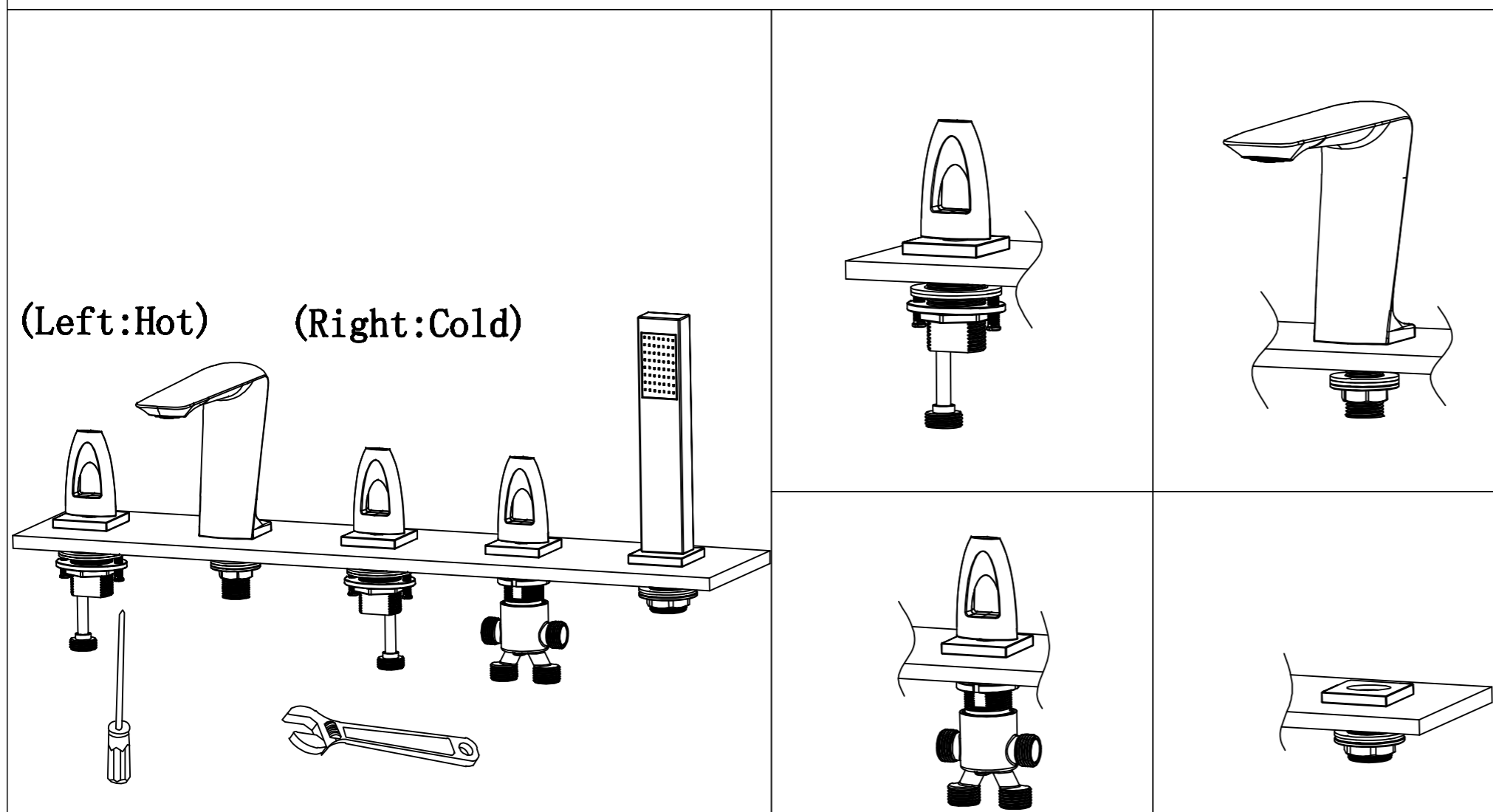
1. Make holes in the panel



2. Disassemble all parts under the main body



3. Instruct water outlet and valve element. Water separator assembly. Showerhead assembly



4. Install hot and cold connection hoses and valves

5. Install water inlet hose

