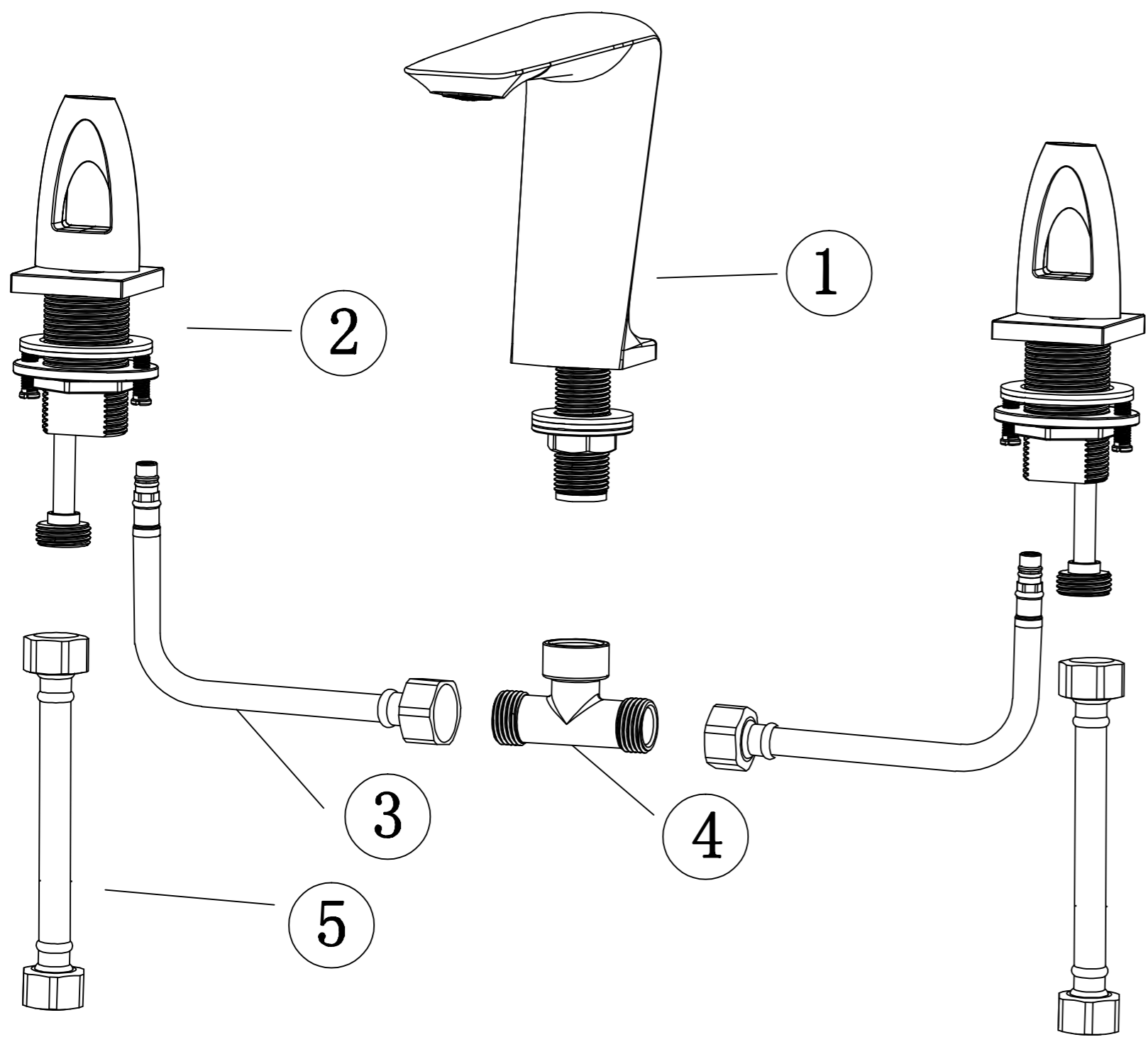
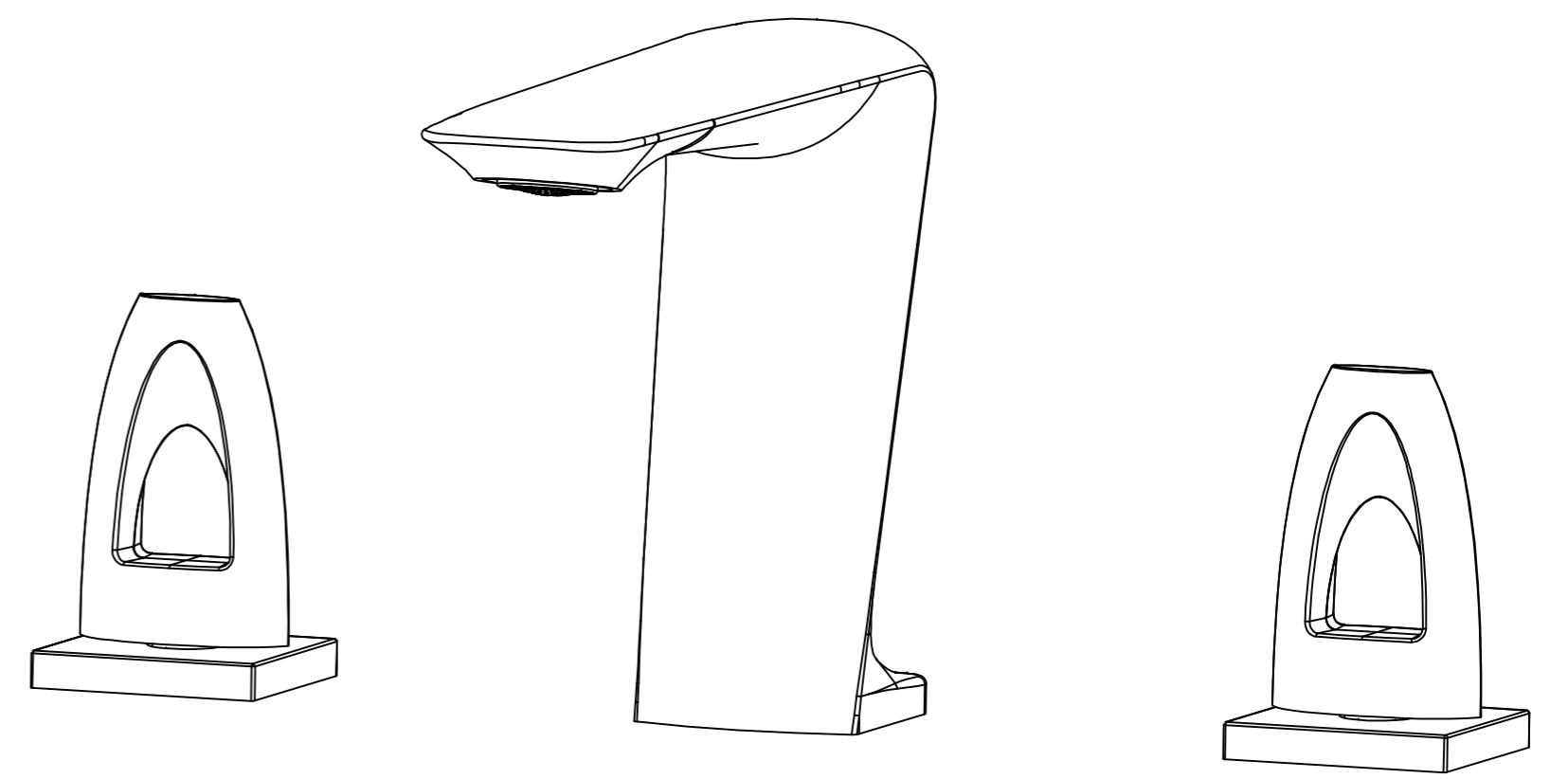


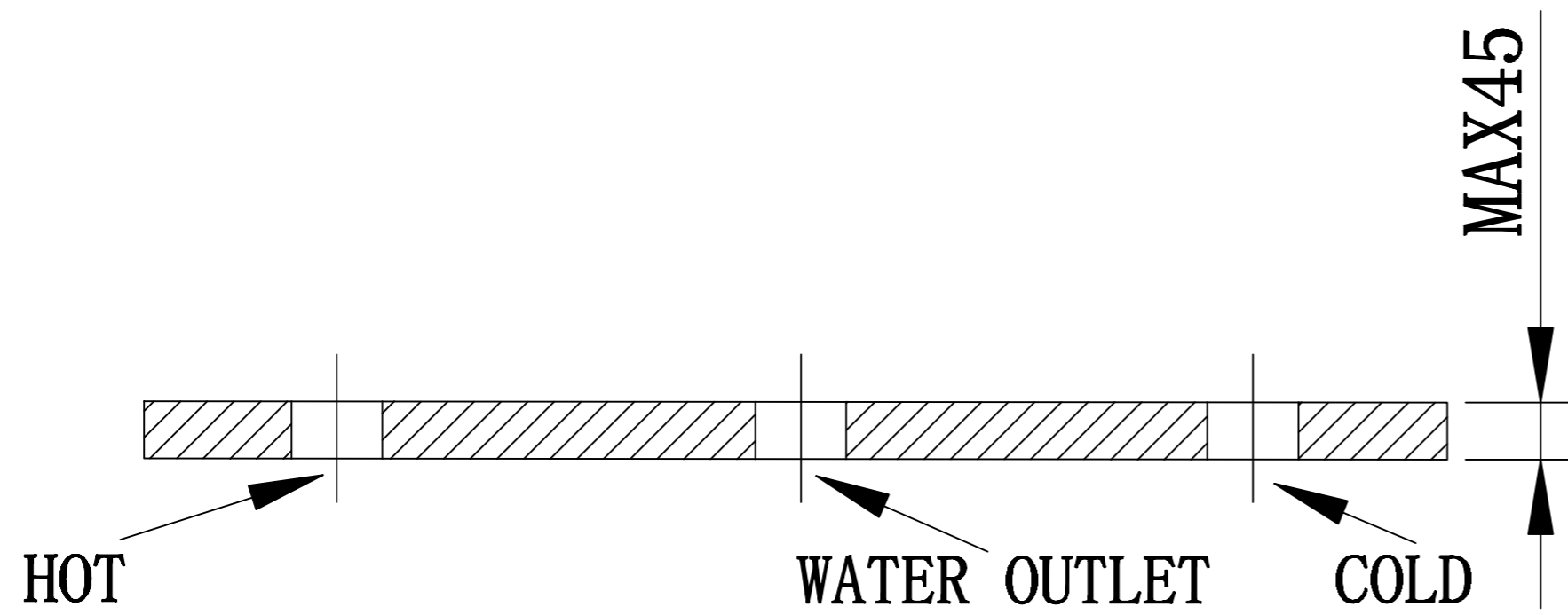
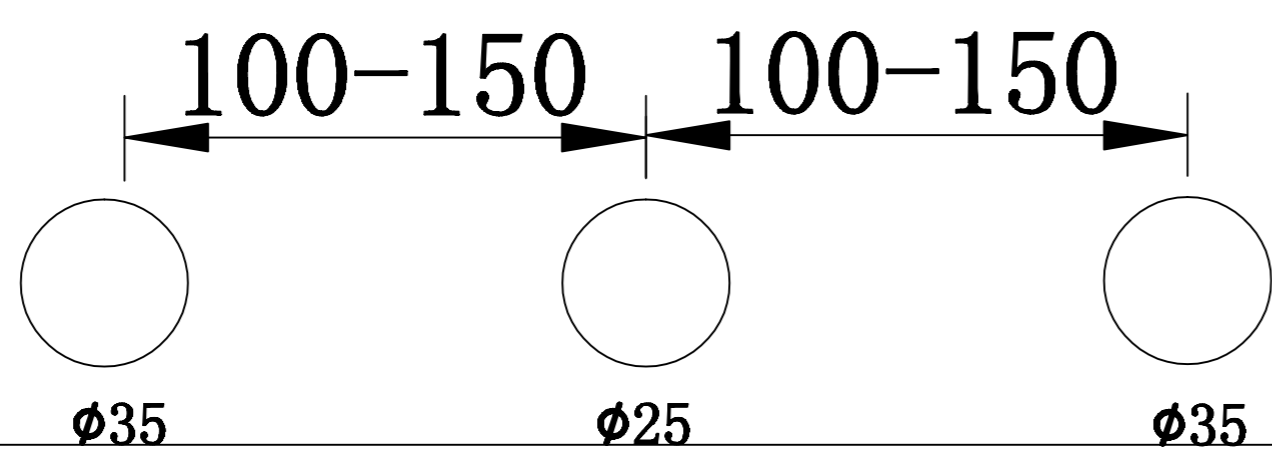
NO.	Name	Qty
1	Body	1
2	Side Body ASSY	2
3	Center Tee	2
4	Tee Joint	1
5	Hose	2



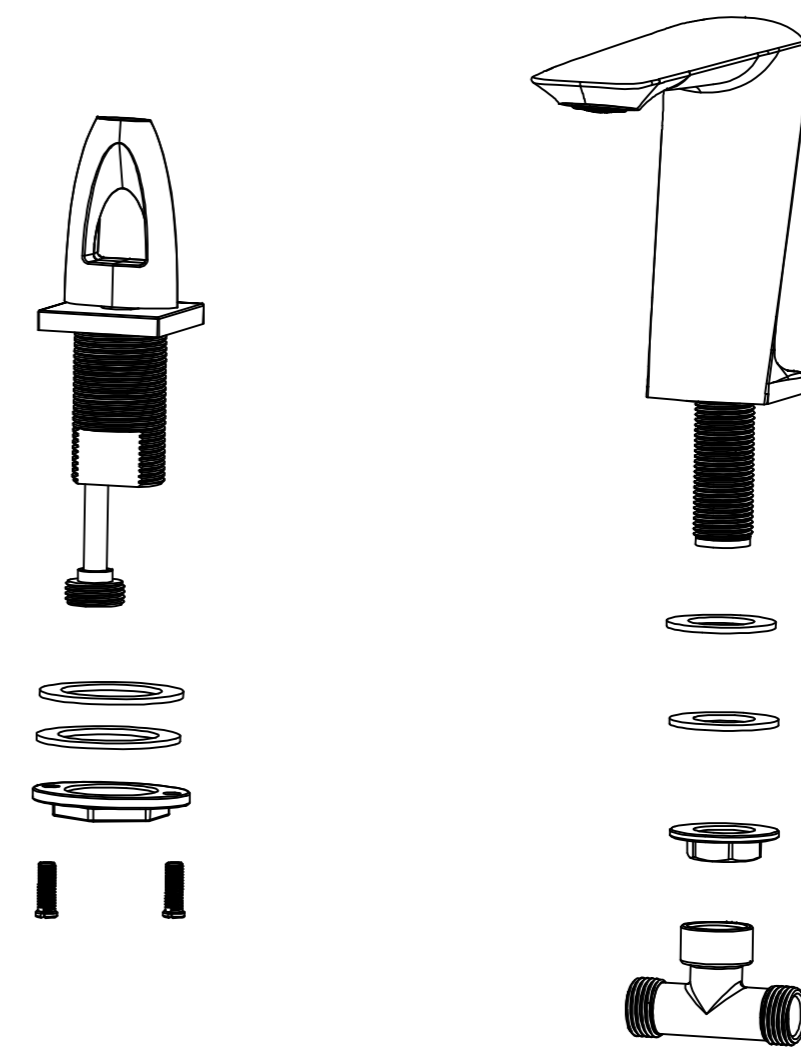
INSTRUCTION FOR INSTALLATION



1. Make holes in the panel



2. Disassemble all parts under the main body



3. Install water outlet and valve element

4. Install inlet of valve body

5. Install hot and cold connection hoses and valves

6. Install water inlet hose

(Left:Hot) (Right:Cold)

