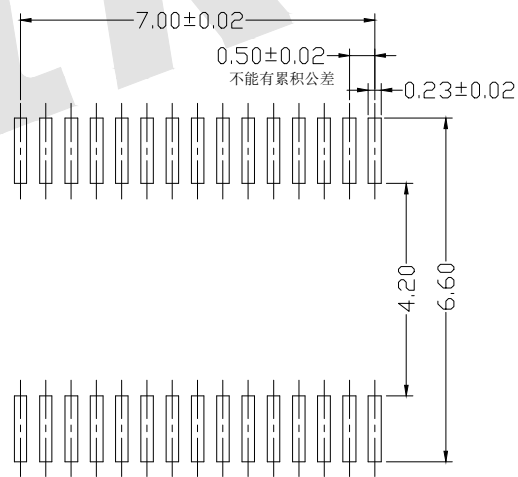
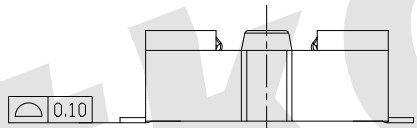
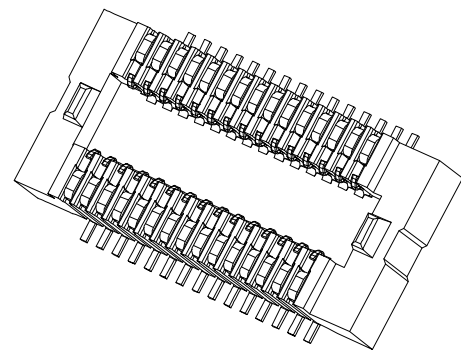
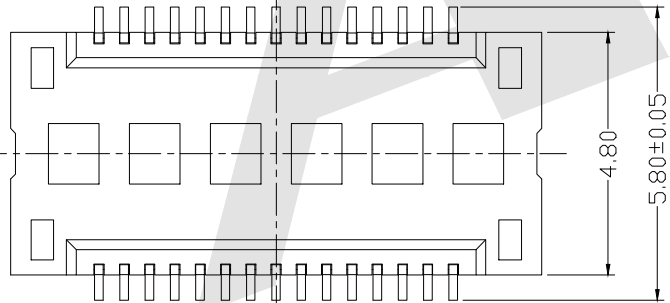
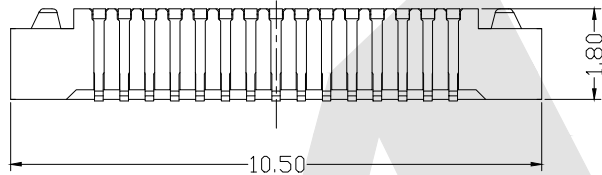
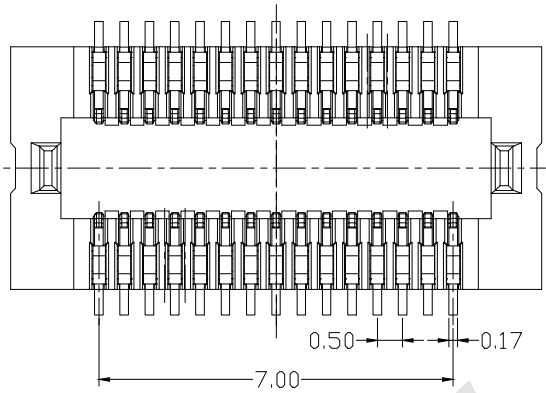


HSF



ROHS



PCB LAYOUT

Electrical
Current Rating:0.5A
Voltage Rating:50V AC/DC
Contact Resistance:50milliohm Max
Insulation Resistance:100Megohm Min
Operation Temperature:-20°C to +105°C

Housing Material:PA9T+30%G.F(UL94V-0)
Contact Material:Phosphor Btonze
Contact plating:Au or Sn over Ni

Ordering Code:

BB0.5 - F - 2.0 - X - X - X - S - 01
① ② ③ ④ ⑤ ⑥ ⑦ ⑧

- ① Series NO:
0.5mm Board to Board connector
- ② M:Male F:Female
- ③ Mating Height:
2.0=2.0mm
- ④ NO. of contacts:
30:30poles
- ⑤ Contact Plating
G0: Gold flash
G1: 3u" Gold
G2: 5u" Gold
G3: 10u" Gold
G4: 15u" Gold
G5: 30u" Gold
SN:Tin
- ⑥ Packing
T:Tube A:Tray
B:Bag U:Tube+CAP
R:tape&Reel
W:tape&Reel+CAP
- ⑦ S:without locating
pegs Spring type
- ⑧ serial number: 01

Unless Otherwise specified tolerance
X. ±0.35 X.XX: ±0.20
X.X.X: ±0.25 X.XXX: ±0.15

SCALE: As Shown	UNIT: mm
DRAW ZLA	DATE 24/10/2022
CHECK BobYang	DATE 24/10/2022
VER. A0	3rd ANGLE PROJECTION

Atkconn® ATKCONN ELECTRONICS CO., LTD
[Http://www.atkconn.com](http://www.atkconn.com)

TITLE:
0.5mm Board to Board connector, 30PIN Female without
locating pegs Spring type, mating Height=2.0mm

DRAWING NO: BB0.5F-2.0XXXS01
PRODUCT NO: BB0.5F-2.0XXXS01

REV	DESCRIPTION	DATE
1		
2		
3		
4		
5		