



Notes

Materials:

Housing:LCP 30%GF UL94V-0

Contact:Phosphor Bronze C5191R-H.

Order code:

BT - S - SN - R - CR2032A

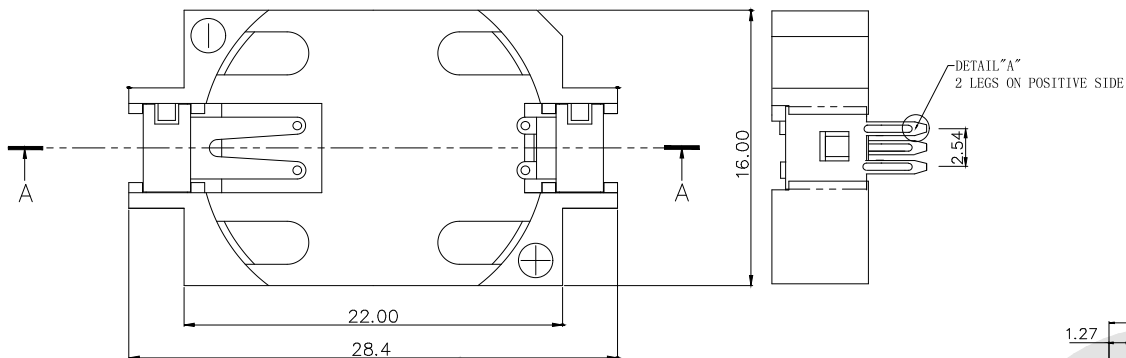
① ② ③ ④ ⑤

- ① BT: Coin Cell Holders
- ② Apperance For The Product
M:SMT TYPE
S:180 TYPE
R:90 TYPE

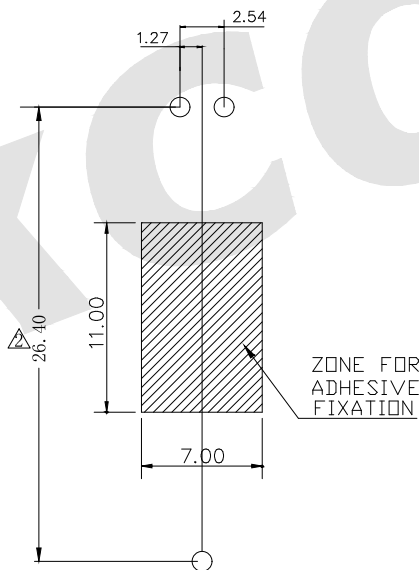
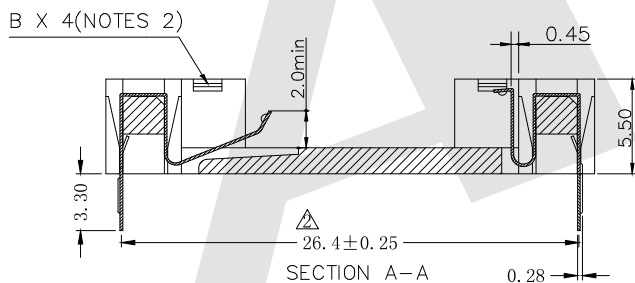
- ③ Contact Plating
SN:Tin
G0:Gold Flash
G1: 3U" Gold
G2: 5U" Gold
G3:10U" Gold
G4:15U" Gold
G5:30U" Gold

- ④ Packing Method
A: Tray packing
R: Tape & Reel Packing

- ⑤ Product Number
CR2032A



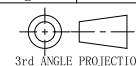
RAISED 0.127 HIGH RIB(TYP.)
DETAIL "A"



PCB LAYOUT

Unless Otherwise specified tolerance
 X. ±0.35 X.XX: ±0.20
 X.X: ±0.25 X.XXX: ±0.15

SCALE: As Shown UNIT: mm
 DRAW ZLA DATE 21/07/2022
 CHECK BobYang DATE 21/07/2022



Atkconn® ATKCONN ELECTRONICS CO., LTD
[Http://www.atkconn.com](http://www.atkconn.com)

TITLE:
Coin Cell Holders For CR2032

DRAWING NO: BT-S-SN-R-CR2032A

PRODUCT NO: BT-S-SN-R-CR2032A

REV	DESCRIPTION	DATE
1		
2		
3		
4		
5		