

NOTES:

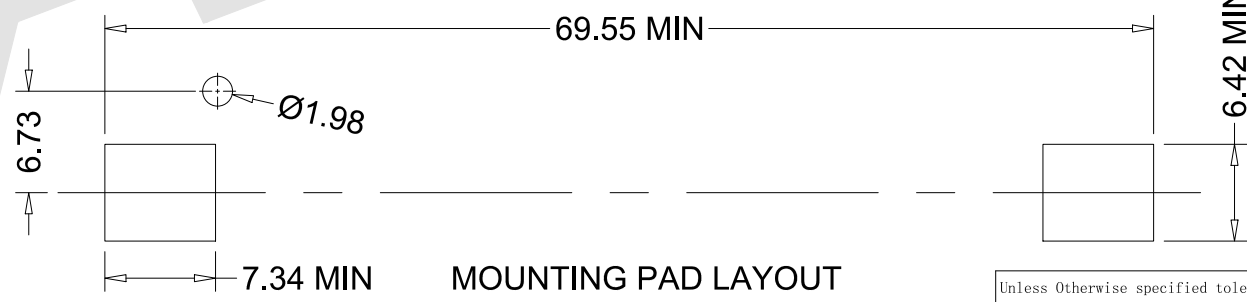
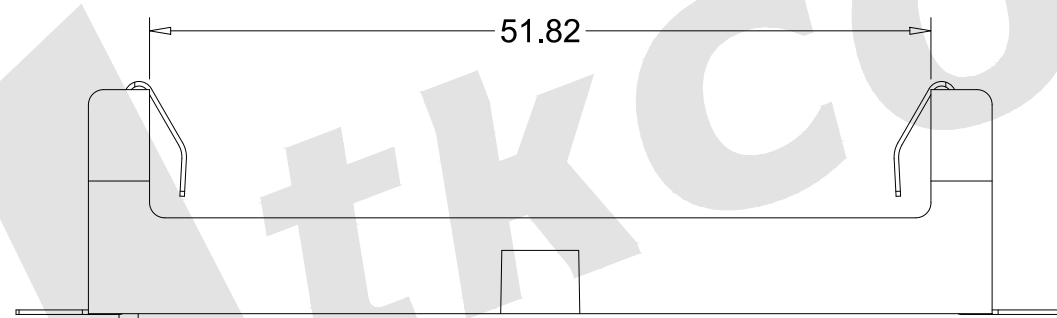
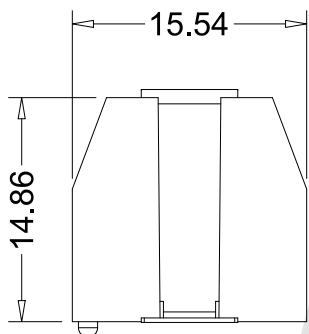
- 1、 BASE:
MATERIAL:HEAT RESISTANCE NYLON, BLACK.
- 2、 CONTACT:
MATERIAL:0.30 THK SPRING STEEL
FINISH:GOLD FLASH, OVER NICKEL PLATE.

Ordering Code:

BBC - M - G0 - A - 1AA-014

① ② ③ ④

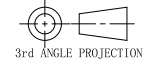
- ① BBC:Battery Holders
- ② Apperance for the product
M:SMT TYPE
- ③ Contact Plating
NI: Nickel SN:Tin
G0:Gold flash G3:3U"Gold
G5:5U"Gold G10:10U"Gold
G15:15U"Gold G30:30U"Gold
- ④ Packing Method
A:Tray
R:Tape & reel packing



⑤ Product Number:
1AA-014

Unless Otherwise specified tolerance
 X. ±0.35 X.XX: ±0.20
 X.X: ±0.25 X.XXX: ±0.15

SCALE: UNIT:
 As Shown mm
 DRAW DATE
 ZLA 21/07/2022
 CHECK DATE
 BobYang 21/07/2022



Atkconn® ATKCONN ELECTRONICS CO., LTD
[Http://www.atkconn.com](http://www.atkconn.com)

TITLE:
 SINGLE AA BATTERY HOLDER SMT
 DRAWING NO: BBC-M-G0-A-1AA-014
 PRODUCT NO: BBC-M-G0-A-1AA-014

REV	DESCRIPTION	DATE
1		
2		
3		
4		
5		