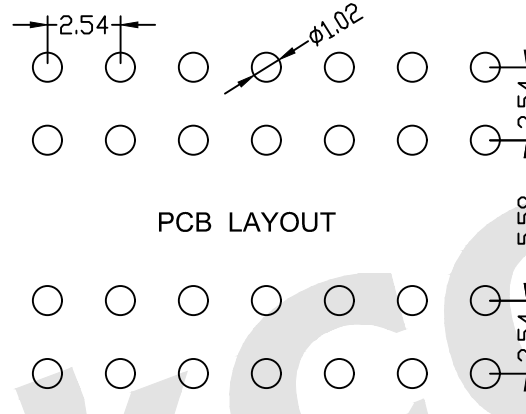
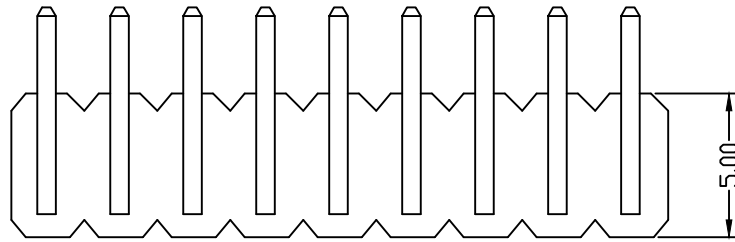




ROHS

SPECIFICATION

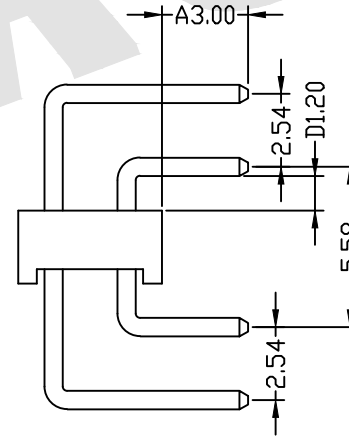
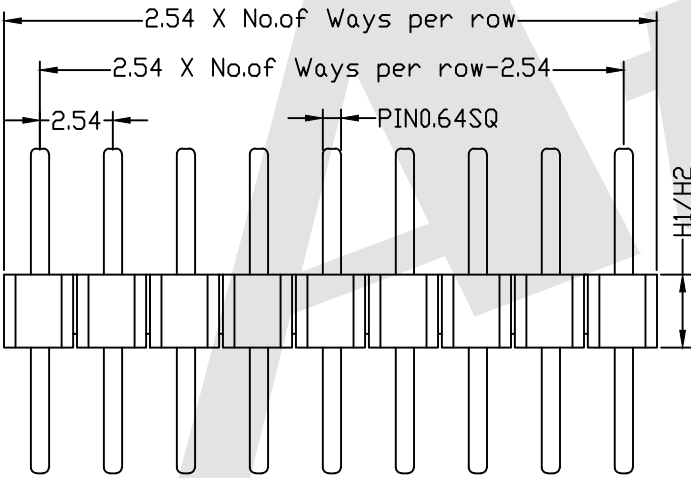
Current Rating: 3 Amp
 Insulation Resistance: 1000M ohms min
 Contact Resistance: 20M ohms max
 Dielectric Withstanding: AC500V
 Operating Temperature: -65°C to +125°C
 Contact Material: Brass
 Insulator Material: PBT,UL 94V-0 Black



PCB LAYOUT

Ordering Code:

PHEU03 - X - X - D - A-D - X - X - X
 ① ② ③ ④ ⑤ ⑥ ⑦ ⑧



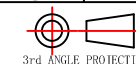
- ① Series No:
- ② No.of Contacts: 02 To 80
- ③ Contact Plating: G0:Gold flash S0:Selective, G1:3U" Gold S1:Selective 3u", G2:5u" Gold S2:Selective 5u", G3:10u" Gold S3:Selective 10u", G4:15u" Gold S4:Selective 15u", G5:30u" Gold S5:Selective 30u", SN:Tin
- ④ Connector Type: D: Dual
- ⑤ Pin Length: A:0300=3.00mm, D:0120=1.20mm. Please mark the desired length in the A/D
- ⑥ Insulator Material: A:PBT, B:PA6T, C:LCP, D:PA46, E:PA9T
- ⑦ Packing: A:Tray, B:Bag, T:Tube, U:Tube+CAP, R:Tape&Reel, W:Tape&Reel+CAP
- ⑧ Plastic High: H1:1.70mm, H2:2.54mm, H3:2.00mm

Unless Otherwise specified tolerance
 X. ±0.35 X.XX: ±0.20
 X.X: ±0.25 X.XXX: ±0.15

Atkconn® ATKCONN ELECTRONICS CO., LTD
[Http://www.atkconn.com](http://www.atkconn.com)

SCALE: As Shown	UNIT: mm
DRAW ZLA	DATE 24/04/2022
CHECK BobYang	DATE 24/04/2022

TITLE:	2.54mm Pin Header Dual Row U Type
DRAWING NO:	PHEU03-XXD-0300-0120-XXX
PRODUCT NO:	PHEU03-XXD-0300-0120-XXX



REV	DESCRIPTION	DATE