



### SPECIFICATION

Current Rating: 1.0Amp  
 Insulation Resistance: 1000MΩ min  
 Contact Resistance: 20MΩ max  
 Withstand Voltage: 500V AC/DC  
 Operating Temperature: -40°C to +105°C  
 Contact Material: Brass  
 Contact Plating: Au or Sn Over Ni  
 Insulator Material: PA6T+30%GF UL 94V-0

#### Ordering Code:

LHBS01 - X - X - X - X - X  
 ① ② ③ ④ ⑤ ⑥

#### ① Series No:

② No. of Contacts

10 12 14  
 16 20 24  
 26 30 32  
 34 40 44  
 50 60 64  
 80 100

#### ③ Contact Plating:

G0:Gold flash S0:Selective  
 G1:3U" Gold S1:Selective 3u"  
 G2:5u" Gold S2:Selective 5u"  
 G3:10u" Gold S3:Selective 10u"  
 G4:15u" Gold S4:Selective 15u"  
 G5:30u" Gold S5:Selective 30u"  
 SN:Tin

#### ④ Color Insulator

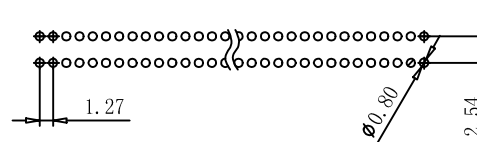
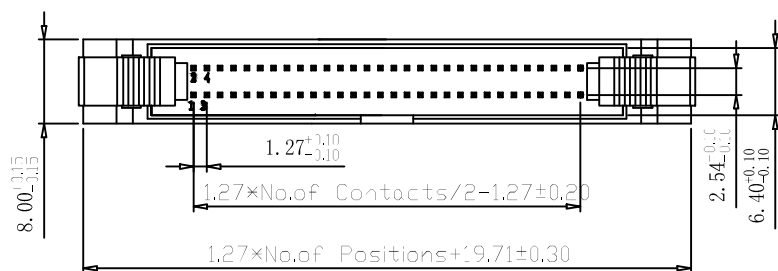
B:Black  
 U:Blue  
 W:White

#### ⑤ Insulator Material

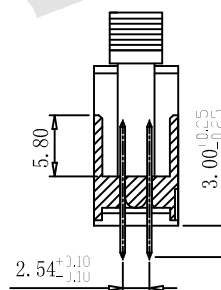
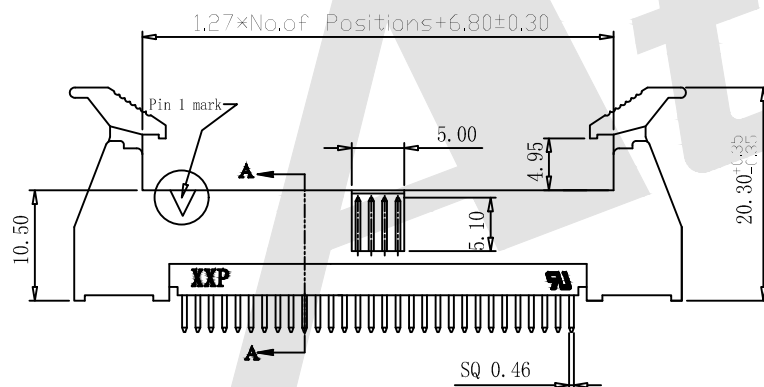
B:PA6T  
 C:LCP  
 E:PA9T

#### ⑥ Packing

A:Tray  
 B:Bag  
 T:Tube  
 U:Tube+CAP  
 R:Tape&Reel  
 W:Tape&Reel+CAP



Recommended P.C.B Layout (Top Side)  
 (PCB BOARD TOLERANCE±0.05)



Section "A-A"

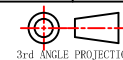
Unless Otherwise specified tolerance  
 X. ±0.35 X.XX: ±0.20  
 X.X: ±0.25 X.XXX: ±0.15

**Atkconn**® ATKCONN ELECTRONICS CO., LTD  
[Http://www.atkconn.com](http://www.atkconn.com)

SCALE: As Shown UNIT: mm

DRAW ZLA DATE 24/04/2022

CHECK BobYang DATE 24/04/2022



TITLE: 1.27\*2.54mm Ejector Header 180°

DRAWING NO: LHBS01-XXXXX

PRODUCT NO: LHBS01-XXXXX

REV	DESCRIPTION	DATE