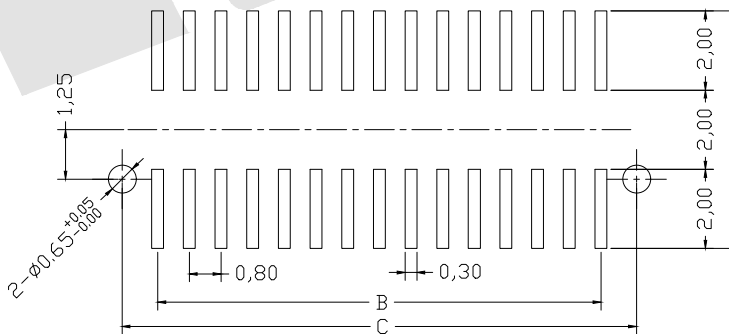
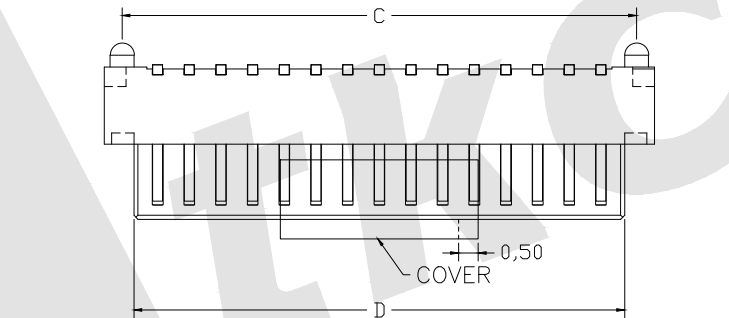
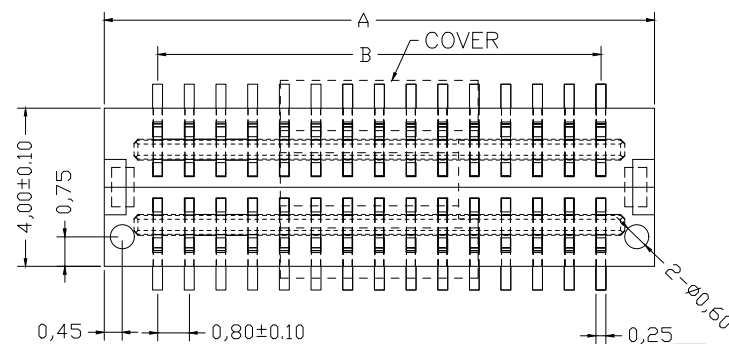
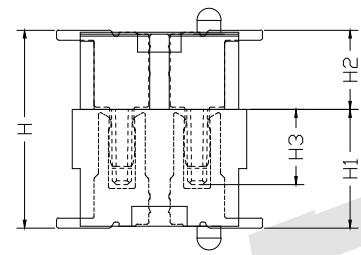




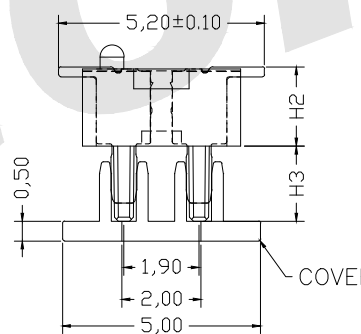
NO.of Contacts	Dimension(mm)			
	A±0.10	B±0.10	C±0.10	D±0.10
8	5.10	2.40	4.20	3.60
10	5.90	3.20	5.00	4.40
12	6.70	4.00	5.80	5.20
14	7.50	4.80	6.60	6.00
16	8.30	5.60	7.40	6.80
18	9.10	6.40	8.20	7.60
20	9.90	7.20	9.00	8.40
22	10.70	8.00	9.80	9.20
24	11.50	8.80	10.60	10.00
26	12.30	9.60	11.40	10.80
28	13.10	10.40	12.20	11.60
30	13.90	11.20	13.00	12.40
32	14.70	12.00	13.80	13.20
34	15.50	12.80	14.60	14.00
36	16.30	13.60	15.40	14.80
38	17.10	14.40	16.20	15.60
40	17.90	15.20	17.00	16.40
42	18.70	16.00	17.80	17.20
44	19.50	16.80	18.60	18.00
46	20.30	17.60	19.40	18.80
48	21.10	18.40	20.20	19.60
50	21.90	19.20	21.00	20.40
52	22.70	20.00	21.80	21.20
54	23.50	20.80	22.60	22.00
56	24.30	21.60	23.40	22.80
58	25.10	22.40	24.20	23.60
60	25.90	23.20	25.00	24.40
62	26.70	24.00	25.80	25.20
64	27.50	24.80	26.60	26.00
66	28.30	25.60	27.40	26.80
68	29.10	26.40	28.20	27.60
70	29.90	27.20	29.00	28.40
72	30.70	28.00	29.80	29.20
74	31.50	28.80	30.60	30.00
76	32.30	29.60	31.40	30.80
78	33.10	30.40	32.20	31.60
80	33.90	31.20	33.00	32.40
82	34.70	32.00	33.80	33.20
84	35.50	32.80	34.60	34.00
86	36.30	33.60	35.40	34.80
88	37.10	34.40	36.20	35.60
90	37.90	35.20	37.00	36.40
92	38.70	36.00	37.80	37.20
94	39.50	36.80	38.60	38.00
96	40.30	37.60	39.40	38.80
98	41.10	38.40	40.20	39.60
100	41.90	39.20	41.00	40.40



P.C.B PATTEN



Mating section



mating Height (H)	The female seat height (H1)	The male seat height (H2)	Insertion height (H3)
4.0	3.0	1.0	1.9
4.5	3.5	1.0	1.9
5.0	3.0/4.0	2.0/1.0	1.9
5.5	3.5/4.5	2.0/1.0	1.9
6.0	4.0	2.0	1.9
6.5	4.5	2.0	1.9

Electrical:  
 Vlotag Rating:50V AC(rms)/DC  
 Current Rating:0.5A AC(rms)/DC  
 Contact Resistance:50mΩ Max  
 Insulation Resistance:100MΩ min  
 Dielectric Withstanding Voltage:200V AC r.m.s  
 Operating Temperature:-30°C~+80°C  
 Materirls  
 Housing:High Temperature Plastic UL94V-0  
 Terminal:Copper Alloy  
 Material:PA9T  
 Contact:phosphor Bronae,Gold Plating;

Ordering Code:  
 BB0.8 - M - X - X - X - X - 02  
 ① ② ③ ④ ⑤ ⑥ ⑦

- ① Series NO: 0.8mm Board to Board connector
- ② M:Male F:Female
- ③ mating Height: 4.0=4.00mm, 4.5=4.50mm, 5.0=5.00mm, 5.5=5.50mm, 6.0=6.00mm, 6.5=6.50mm
- ④ NO. of contacts: see table For example 24:24poles
- ⑤ Contact Plating: G0: Gold flash, G1: 3u" Gold, G2: 5u" Gold, G3: 10u" Gold, G4: 15u" Gold, G5: 30u" Gold, SN:Tin
- ⑥ Packing: T:Tube A:Tray, B:Bag U:Tube+CAP, R:tape&Reel, W:tape&Reel+CAP
- ⑦ serial number: 02

Unless Otherwise specified tolerance  
 X. ±0.35 X.XX:±0.20  
 X.X:±0.25 X.XXX:±0.15

**Atkconn**® ATKCONN ELECTRONICS CO., LTD  
[Http://www.atkconn.com](http://www.atkconn.com)

SCALE:	UNIT:
As Shown	mm
DRAW ZLA	DATE 24/10/2022
CHECK BobYang	DATE 24/10/2022
VER.	
A0	3rd ANGLE PROJECTION

TITLE: 0.8mm Board to board connector, Male, double groove, mating height=4.0-6.5mm

DRAWING NO: BB0.8M-XXXX02  
 PRODUCT NO: BB0.8M-XXXX02

REV	DESCRIPTION	DATE