

HSF



ROHS

NOTE:

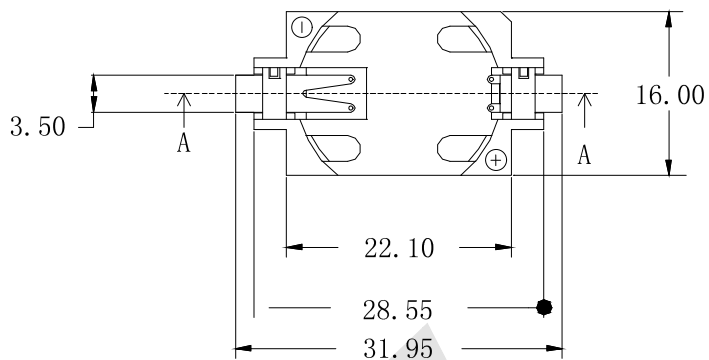
1, Material:
 a. Housing:LCP
 b. Contact:C5191
 (Surface Plating:Sn 10u")
 See Ordering Information

2, Electric:
 a. Contact Resistance:30 Milliohms Max
 b. Insulation Resistance:1000 MEGA OHMS Min
 c. Dielectric Voltage:500V AC One Sea Level
 d. Operating Temperature: -55° To 105°

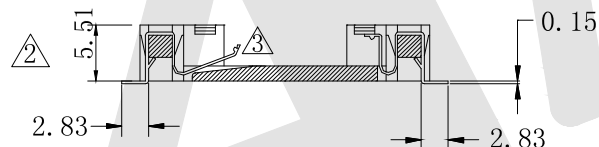
Order code:

BT - M - SN - R - CR2032N
 ① ② ③ ④ ⑤

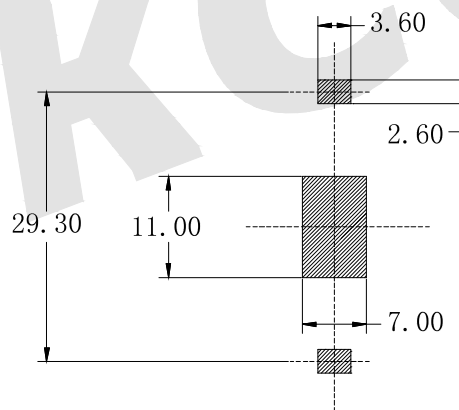
- ① BT: Coin Cell Holders
- ② Apperance for the product
M:SMT TYPE
S:180 TYPE
R:90 TYPE
- ③ Contact Plating
SN: Tin
G0: Gold flash
G1: 3U" Gold
G2: 5U" Gold
G3: 10U" Gold
G4: 15U" Gold
G5: 30U" Gold
- ④ Packing method
A: Tray packing
R: Tape & reel packing
- ⑤ Product number
CR2032N



B*4 (NOTES 2)



SECTION A-A



PCB LAYOUT

Unless Otherwise specified tolerance
 X. ±0.35 X.XX: ±0.20
 X.X: ±0.25 X.XXX: ±0.15

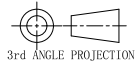
Atkconn® ATKCONN ELECTRONICS CO., LTD
[Http://www.atkconn.com](http://www.atkconn.com)

| | |
|--------------------|--------------------|
| SCALE: As Shown | UNIT: mm |
| DRAW ZLA | DATE 21/07/2022 |
| CHECK BobYang | DATE 21/07/2022 |

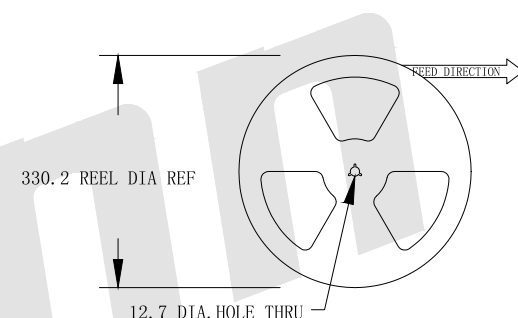
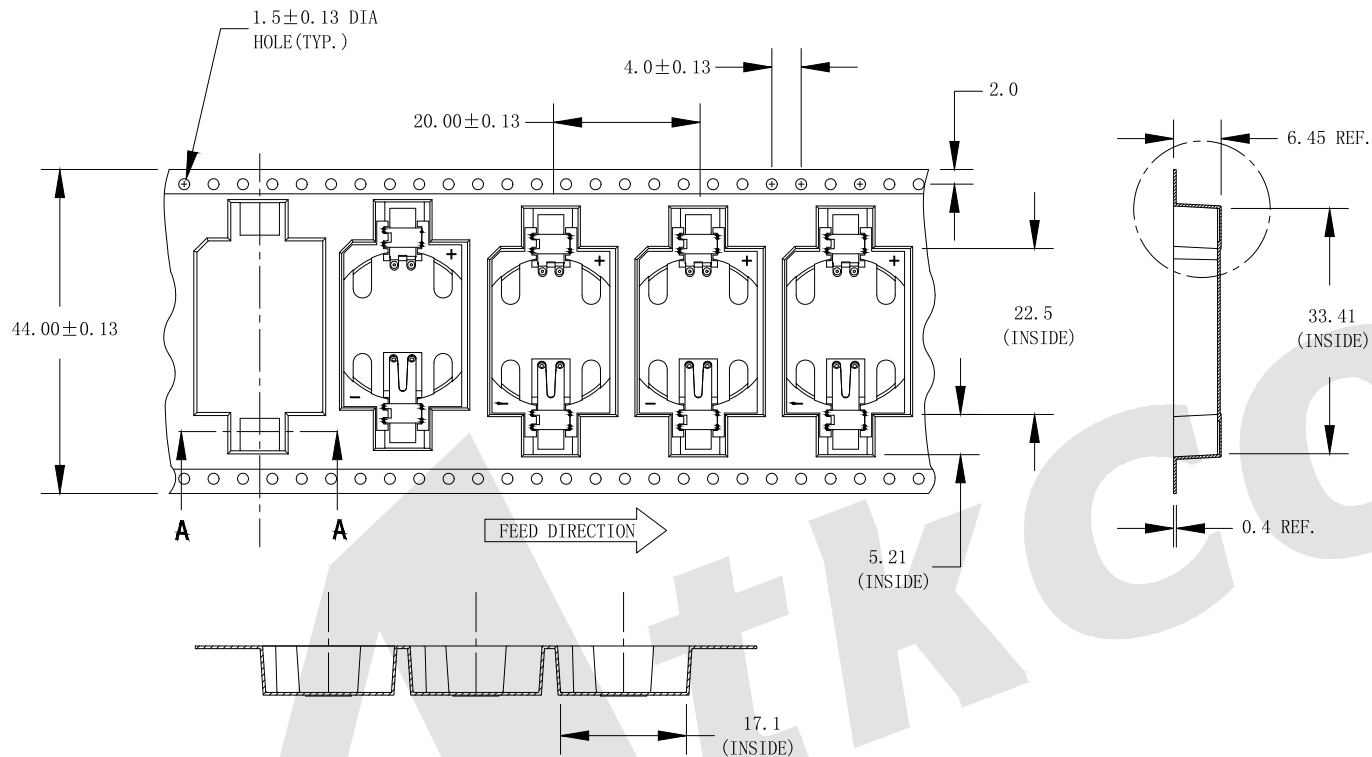
TITLE:
Coin Cell Holders For CR2032

DRAWING NO: BT-M-SN-R-CR2032N

PRODUCT NO: BT-M-SN-R-CR2032N

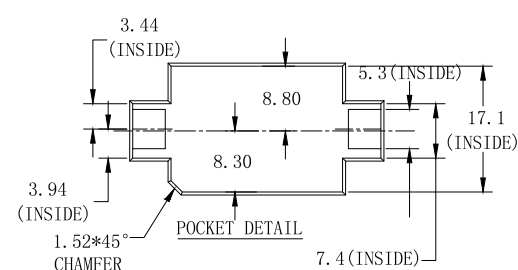
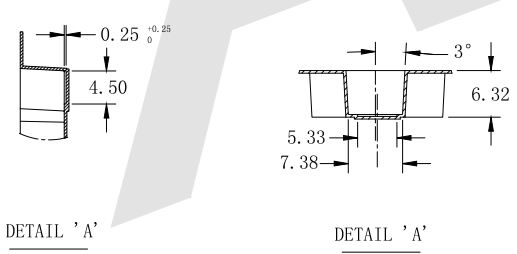


| REV | DESCRIPTION | DATE |
|-----|-------------|------|
| 1 | | |
| 2 | | |
| 3 | | |
| 4 | | |
| 5 | | |



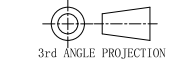
NOTE:

NOTE:
 TAPE AND REEL SPECIFICATIONS:
 1. TAPE:
 MAT'L-ALL CONDUCTIVE POLYSTYRENE CARRIER
 ANSI/EIA-481 STANDARD
 2. REEL:
 330.2 DIA. 500PIECES OF
 PART NO. 1060PER REEL.



Unless Otherwise specified tolerance
 X. ±0.35 X.XX: ±0.20
 X.X: ±0.25 X.XXX: ±0.15

SCALE: As Shown UNIT: mm
 DRAW: ZLA DATE: 21/07/2022
 CHECK: BobYang DATE: 21/07/2022



Atkconn® ATKCONN ELECTRONICS CO., LTD
[Http://www.atkconn.com](http://www.atkconn.com)

TITLE:
 Coin Cell Holders For CR2032 on Tape
 DRAWING NO: BT-M-SN-R-CR2032N
 PRODUCT NO: BT-M-SN-R-CR2032N

| REV | DESCRIPTION | DATE |
|-----|-------------|------|
| 1 | | |
| 2 | | |
| 3 | | |
| 4 | | |
| 5 | | |