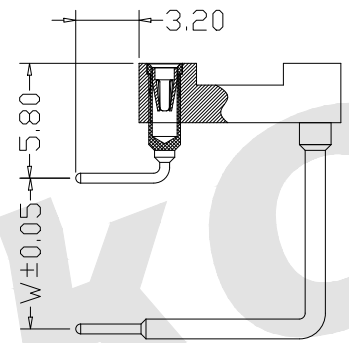
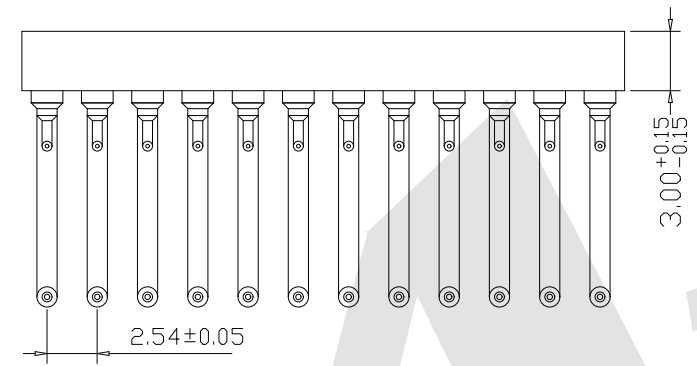


W1=2.54mm
W2=5.08mm
W3=7.62mm
W4=15.24mm



TECHNICAL SPECS:
 Current Rating: 1.0Amp
 Contact Resistance: 10MΩ max
 Dielectric Strength: Min 1000 V RMS
 Mechanical Life: Min 100 cycles
 Operating Temperature: -40° C to +105° C
 Sleeve: Brass
 CuZn36Pb3 (C36000)
 Contact Clip(4 finger): BeCu(C17200)
 Contact Plating: Au or Sn Over Ni
 Insulator Material: PPS+30%GF UL 94V-0
 06p~16P Insulators without center bar
 36p~52P Insulators with center two bar
 64P Insulators with center three bar

Ordering Code:
 MIFER01 - X - X - X - X - X
 ① ② ③ ④ ⑤ ⑥

① Series No:
 ④ Clip Plating
 S1: Tin 150"
 S1: Tin 200"
 G0: Gold flash
 G1: 3u" Gold
 G2: 5u" Gold
 G3: 10u" Gold
 G4: 15u" Gold
 G5: 30u" Gold

② Type selection
 See Table

③ Pin Plating
 S1: Tin 150"
 S2: Tin 200"
 G0: Gold flash
 G1: 3u" Gold
 G2: 5u" Gold
 G3: 10u" Gold
 G4: 15u" Gold
 G5: 30u" Gold

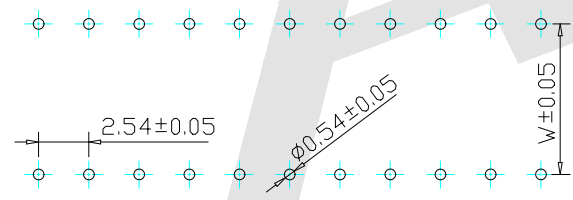
⑤ Packing
 A: Tray C: Tube
 B: Bag D: Tape Reel

⑥ Pin Long
 TypeA: W=2.54mm
 TypeB: W=5.08mm
 TypeC: W=7.62mm
 TypeD: W=15.24mm

Dimension & Ordering Information

Type	NO. of Poles	Dimension			
		A	B	C	D
A1	06	7.62	5.08	7.62	10.16
A2	08	10.16	7.62	7.62	10.16
A3	10	12.70	10.16	7.62	10.16
A4	14	17.78	15.24	7.62	10.16
A5	16	20.32	17.78	7.62	10.16
A6	18	22.86	20.32	7.62	10.16
A7	20	25.40	22.86	7.62	10.16
A8	24	30.48	27.94	7.62	10.16
A9	28	35.56	33.02	7.62	10.16
A10	16	20.32	17.78	10.16	12.7
A11	20	25.40	22.86	10.16	12.7
A12	22	27.94	25.40	10.16	12.7
A13	24	30.48	27.94	10.16	12.7

Type	NO. of Poles	Dimension			
		A	B	C	D
A14	28	35.56	33.02	10.16	12.7
A15	24	30.48	27.94	15.24	17.78
A16	28	35.56	33.02	15.24	17.78
A17	32	40.64	38.10	15.24	17.78
A18	36	45.72	43.18	15.24	17.78
A19	40	50.80	48.26	15.24	17.78
A20	42	53.34	50.80	15.24	17.78
A21	48	60.96	58.42	15.24	17.78
A22	50	63.50	60.96	15.24	17.78
A23	52	66.04	63.50	15.24	17.78
A24	50	63.50	60.96	22.86	15.24
A25	52	66.04	63.50	22.86	15.24
A26	64	81.28	78.74	22.86	15.24



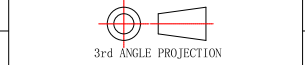
Recommended P.C.B Layout (Top Side)
 (PCB BOARD TOLERANCE ±0.05)

Unless Otherwise specified tolerance
 X. ±0.35 X.XX: ±0.20
 X.X: ±0.25 X.XXX: ±0.15

Atkconn® ATKCONN ELECTRONICS CO., LTD
[Http://www.atkconn.com](http://www.atkconn.com)

SCALE: As Shown UNIT: mm
 DRAW ZLA DATE 21/08/2022
 CHECK BobYang DATE 21/08/2022

TITLE: 2.54mm Dual-in-line Socket Right Angle DIP



DRAWING NO: MIFER01-XXXXX
 PRODUCT NO: MIFER01-XXXXX

REV	DESCRIPTION	DATE
1		
2		
3		
4		
5		