

HSF



ROHS

NOTE:

1. HOLDER MATERIAL: POLYPROPYLENE

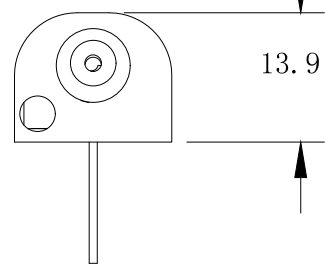
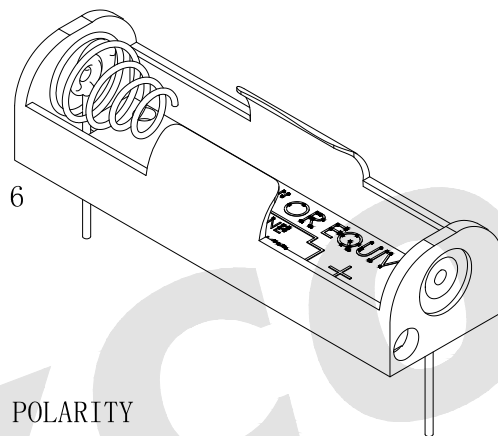
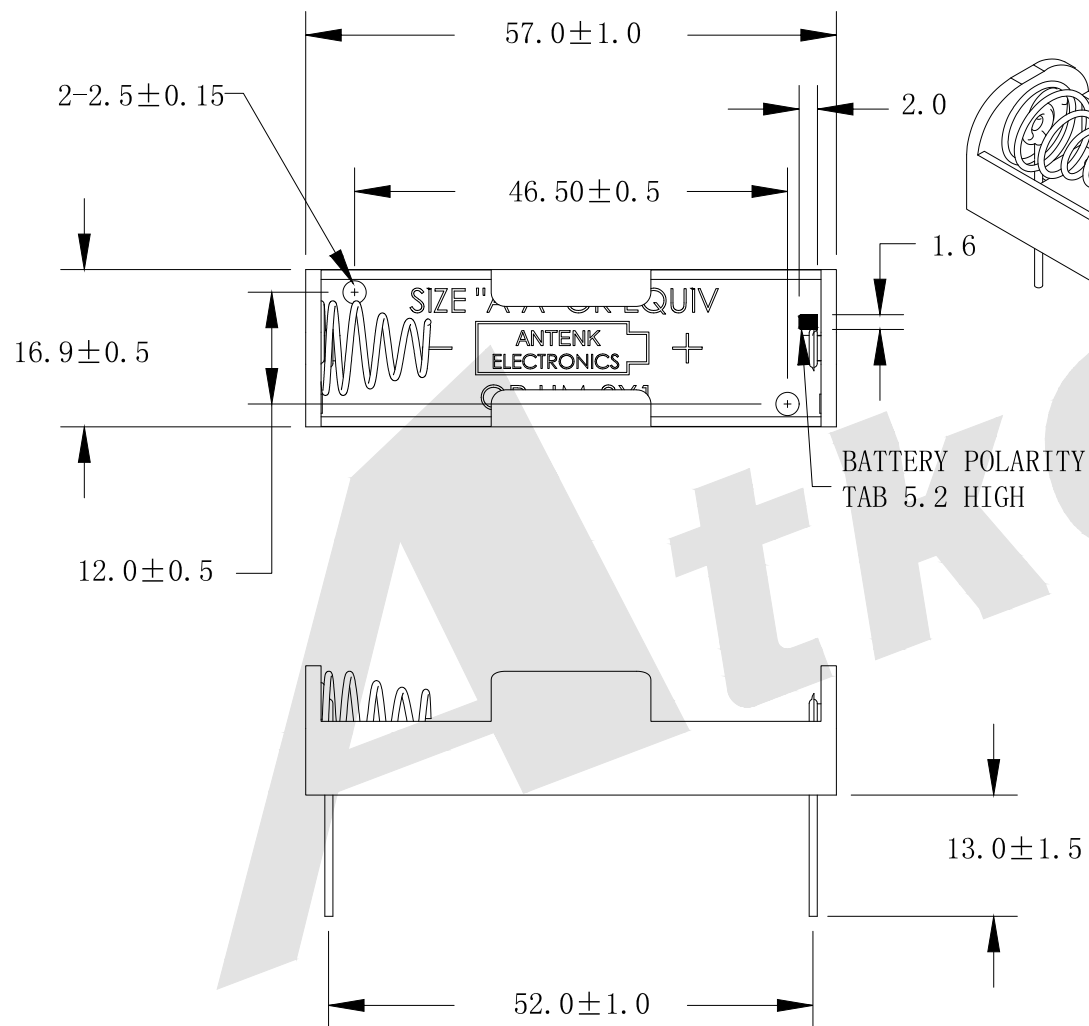
SPRING MATERIAL: MUSIC WIRE, 0.60 DIA.

PC TERMINALS: MATERIAL: BRASS, 0.81 DIA.

Ordering Code:

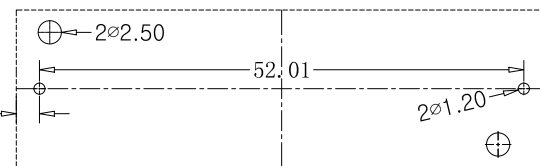
BBA - 5 - 1 - B - P - 460
① ② ③ ④ ⑤ ⑥

- ① BBA: Battery Holders
- ② BATTERY TYPE
5: AA SIZE
- ③ BATTERY NUMBERS
1: 1 piece
- ④ Packing
A: TRAY B: Bag
- ⑤ P: With Pins
- ⑥ Series Number
460



13.9 ± 0.5

2.49



PCB LAYOUT

Unless Otherwise specified tolerance

X. ±0.35 X. XX: ±0.20
X. X: ±0.25 X. XXX: ±0.15

SCALE: As Shown UNIT: mm

DRAW ZLA DATE 21/07/2022

CHECK BobYang DATE 21/07/2022



Atkconn® ATKCONN ELECTRONICS CO., LTD
[Http://www.atkconn.com](http://www.atkconn.com)

TITLE:
SINGLE AA BATTERY HOLDER DIP TYPE

DRAWING NO: BBA-5-1-B-P-460

PRODUCT NO: BBA-5-1-B-P-460

REV	DESCRIPTION	DATE
1		