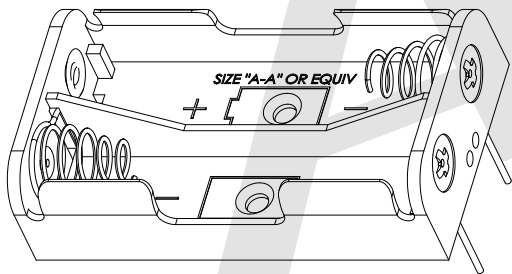
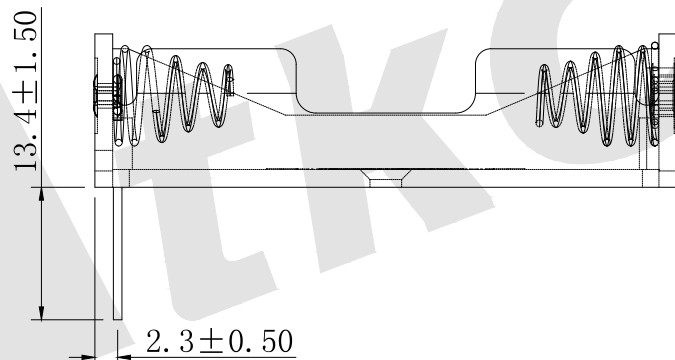
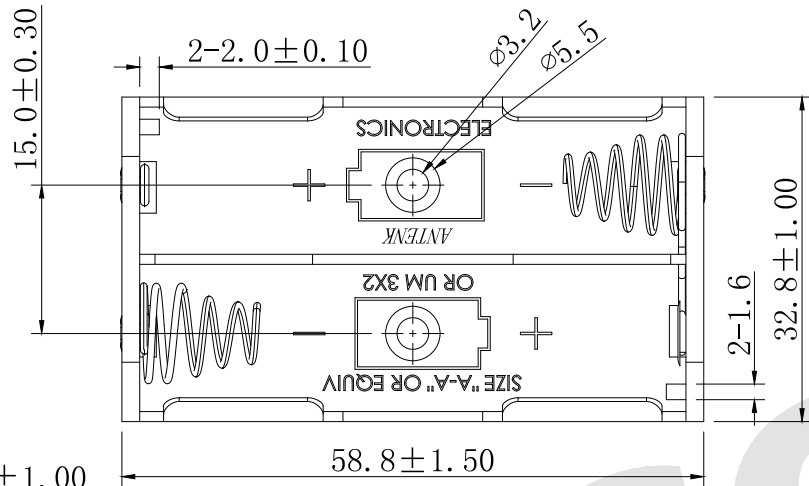
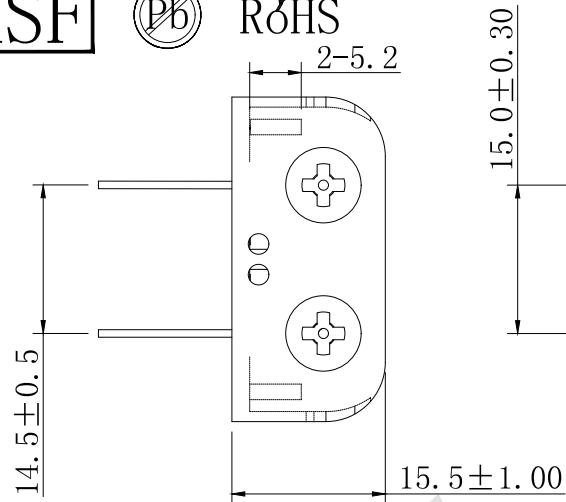


HSF



ROHS



MOUNTING DETAIL

NOTES:

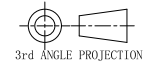
- 1、HOLDER MATERIAL:POLYPROPYLENE.
- 2、SPRING MATERIAL:MUSIC WIRE, 0.7DIA
FINISH:NICKEL PLATE
- 3、SOLDED LUG:MATERIAL-BRASS, 0.8DIA
FINISH-NICKEL PLATE

BBA - 5 - 2 - B - P - 462
 ① ② ③ ④ ⑤ ⑥

- ① BBA:Battery Holders
- ② BATTERY TYPE
5: AA SIZE
- ③ BATTERY NUMBERS
2: 2 piece
- ④ Packing
A:TRAY B:BAG
- ⑤ P:With Pins
- ⑥ Series Number
462

Unless Otherwise specified tolerance
 X. ±0.35 X.XX: ±0.20
 X.X: ±0.25 X.XXX: ±0.15

SCALE: As Shown UNIT: mm
 DRAW ZLA DATE 21/07/2022
 CHECK BobYang DATE 21/07/2022



Atkconn® ATKCONN ELECTRONICS CO., LTD
[Http://www.atkconn.com](http://www.atkconn.com)

TITLE: DUAL AA Battery Holders DIP TYPE

DRAWING NO: BBA-5-2-B-P-462

PRODUCT NO: BBA-5-2-B-P-462

REV	DESCRIPTION	DATE
1		
2		
3		
4		
5		