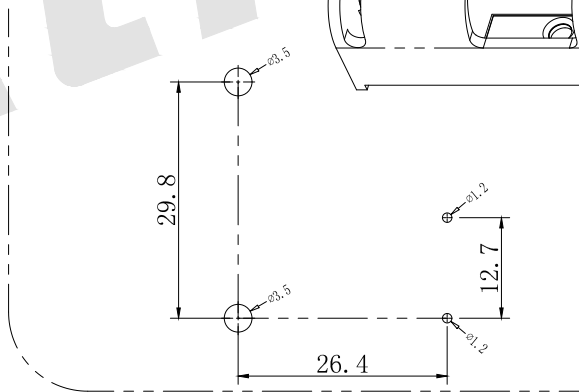
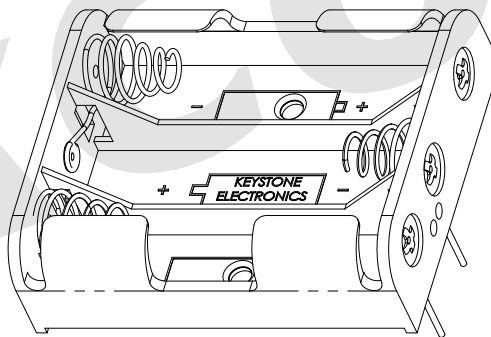
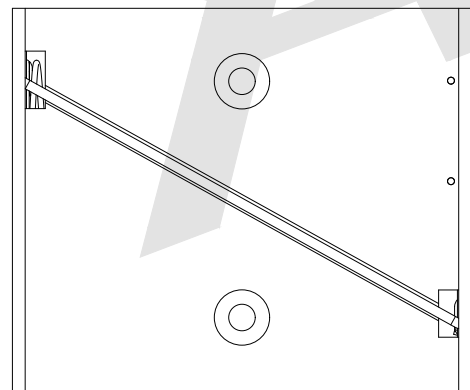
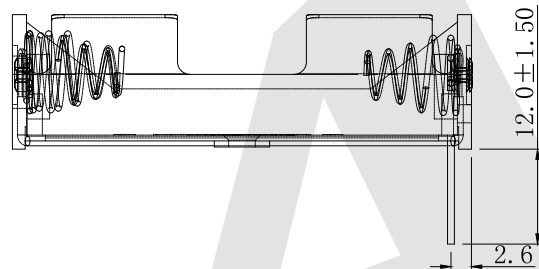
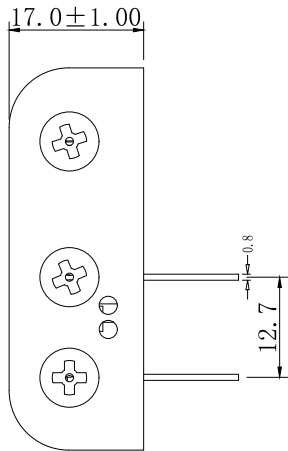
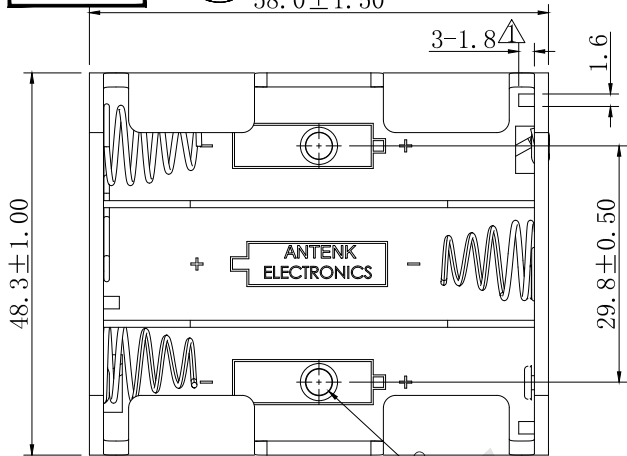


HSF

RoHS
58.0 ± 1.50



MOUNTING DETAIL

NOTES:

- 1、HOLDER MATERIAL:POLYPROPYLENE.
- 2、SPRING MATERIAL:MUSIC WIRE, 0.7DIA
FINISH:NICKEL PLATED
- 3、SOLDER LEG:MATERIAL-BRASS, 0.8DIA
FINISH-NICKEL PLATED

Ordering Code:

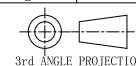
BBA - 5 - 3 - B - P - 464

① ② ③ ④ ⑤ ⑥

- ① BBA:Battery Holders
- ② BATTERY TYPE
5: AA SIZE
- ③ BATTERY NUMBERS
3: 3 piece
- ④ Packing
A:TRAY B:BAG
- ⑤ P:With Pins
- ⑥ Series Number
464

Unless Otherwise specified tolerance
X. XX: ±0.20
X.X: ±0.25 X.XXX: ±0.15

SCALE: As Shown UNIT: mm
DRAW: ZLA DATE: 21/07/2022
CHECK: BobYang DATE: 21/07/2022



Atkconn® ATKCONN ELECTRONICS CO., LTD
[Http://www.atkconn.com](http://www.atkconn.com)

TITLE:
3 PIECES AA Battery Holders DIP TYPE

DRAWING NO: BBA-5-3-B-P-464

PRODUCT NO: BBA-5-3-B-P-464

REV	DESCRIPTION	DATE
1		
2		
3		
4		
5		