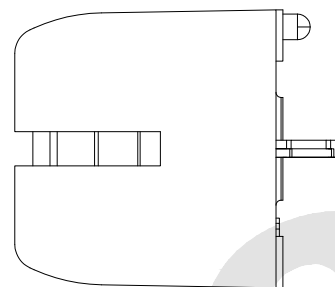
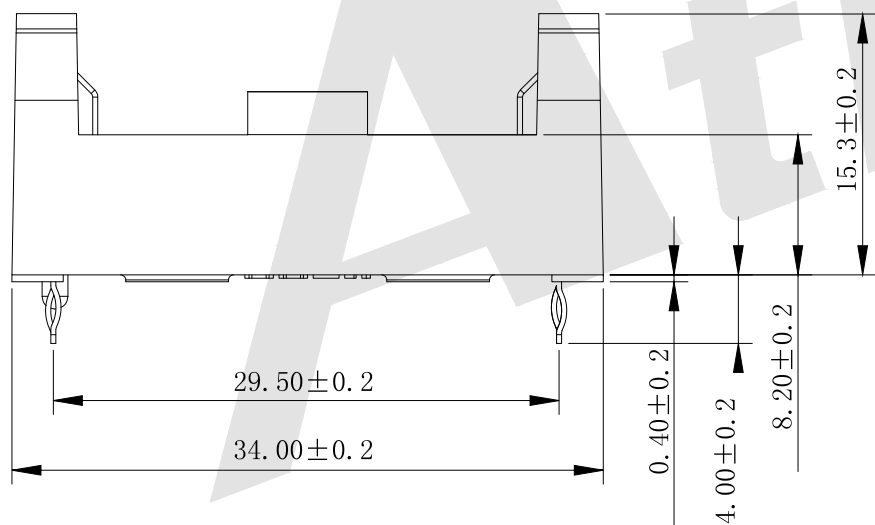
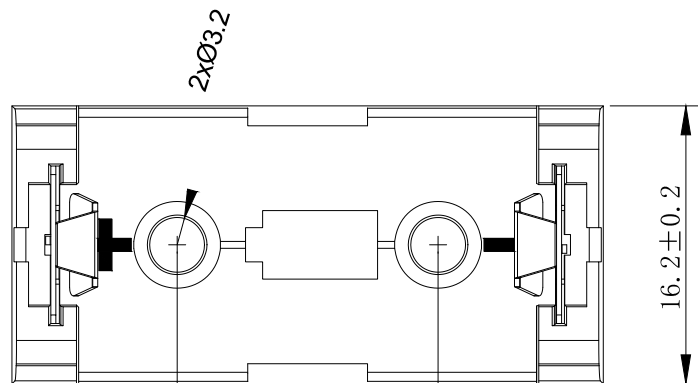




Note:

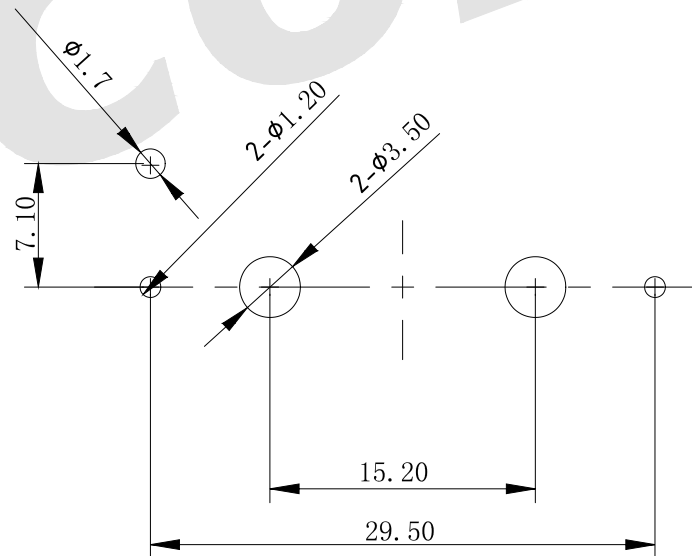
- 1. Holder Material:PBT+30% glass fiber black color
- 2. Contact Material:0.3mm thick stainless steel nickel plated
- 4. RoHS Compliant



Order code:

BT — S — SI — R — 123A-C

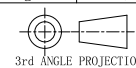
- ① BT: Coin Cell Holders
- ② Appearance for the product
- M: SMT TYPE
- S: 180 TYPE
- R: 90 TYPE
- ③ Contact Plating
- SI: NICKEL Plated
- SN: Tin
- G0: Gold flash
- G1: 3U" Gold
- G2: 5U" Gold
- G3: 10U" Gold
- G4: 15U" Gold
- G5: 30U" Gold
- ④ Packing method
- A: Tray packing
- R: Tape & reel packing
- ⑤ Product number
- 123A-C



PCB LAYOUT

Unless Otherwise specified tolerance
 X. ±0.35 X.XX: ±0.20
 X.X: ±0.25 X.XXX: ±0.15

SCALE: As Shown UNIT: mm
 DRAW ZLA DATE 21/07/2022
 CHECK BobYang DATE 21/07/2022



Atkconn® ATKCONN ELECTRONICS CO., LTD
[Http://www.atkconn.com](http://www.atkconn.com)

TITLE: Coin Cell Holders For CR123A

DRAWING NO: BT-S-SI-R-CR123A-C

PRODUCT NO: BT-S-SI-R-CR123A-C

REV	DESCRIPTION	DATE
1		
2		
3		
4		
5		