



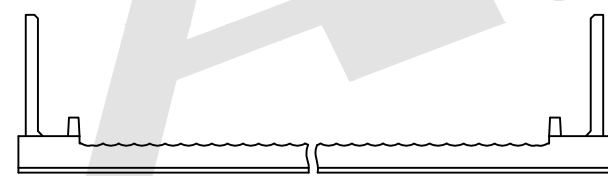
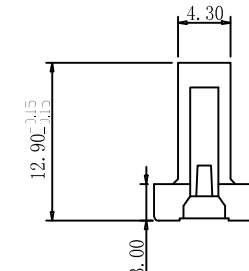
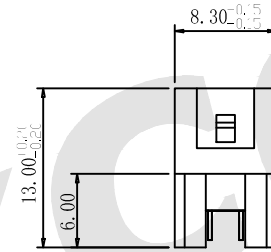
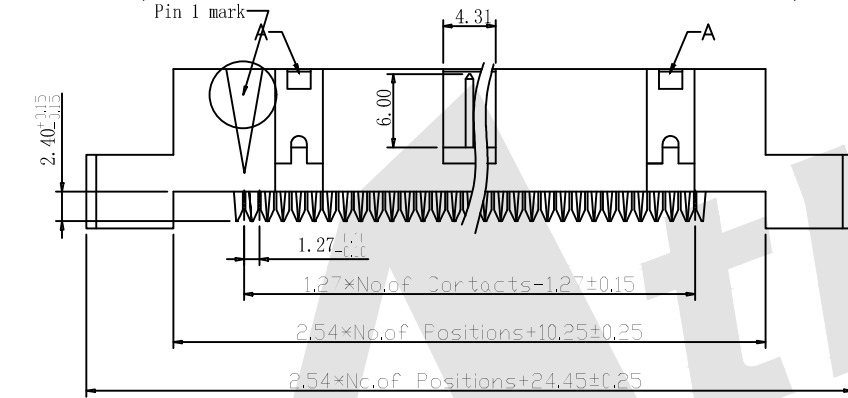
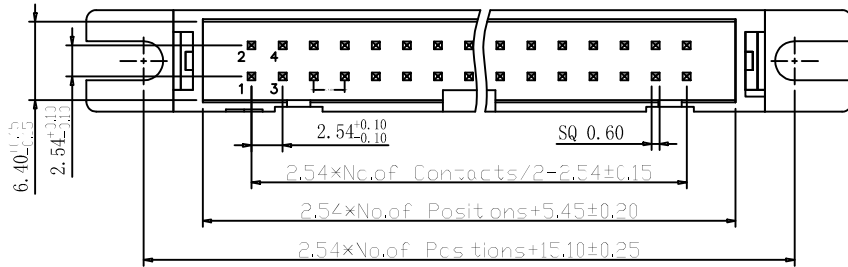
SPECIFICATION

Current Rating: 3.0Amp
 Insulation Resistance: 1000MΩ min
 Contact Resistance: 20MΩ max
 Withstand Voltage: 500V AC/DC
 Operating Temperature: -40°C to +105°C
 Contact Material: Brass
 Contact Plating: Au or Sn Over Ni
 Insulator Material: PBT UL 94V-0

Ordering Code:

BHDI01 - X - X - X - X - X
 ① ② ③ ④ ⑤ ⑥

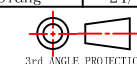
- ① Series No:
- ② No. of Contacts
6 8 10 12
14 16 18 20
24 26 30 34
40 50 60 64
- ③ Contact Plating:
G0: Gold flash S0: Selective
G1: 3U" Gold S1: Selective 3u"
G2: 5u" Gold S2: Selective 5u"
G3: 10u" Gold S3: Selective 10u"
G4: 15u" Gold S4: Selective 15u"
G5: 30u" Gold S5: Selective 30u"
SN: Tin
- ④ Color Insulator
B: Black
U: Blue
G: Gray
- ⑤ Insulator Material
A: PBT
B: PA6T
C: LCP
- ⑥ Packing
A: Tray
B: Bag
T: Tube



Unless Otherwise specified tolerance
 X. ±0.35 X. XX: ±0.20
 X. X: ±0.25 X. XXX: ±0.15
 SCALE: As Shown UNIT: mm
 DRAW ZLA DATE 24/04/2022
 CHECK BobYang DATE 24/04/2022



TITLE: 2.54mm Box Header IDC Type With Mounting Ears
 DRAWING NO: BHDI01-XXXXX
 PRODUCT NO: BHDI01-XXXXX



REV	DESCRIPTION	DATE
1	2	3