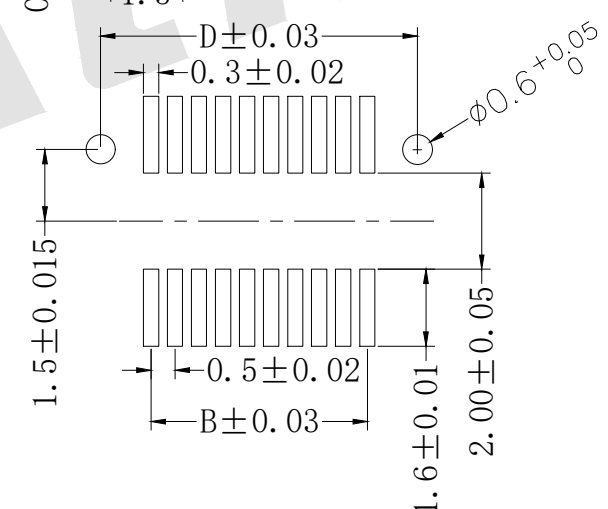
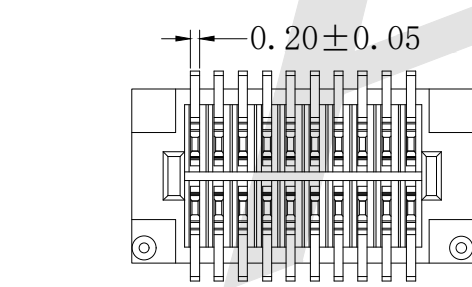
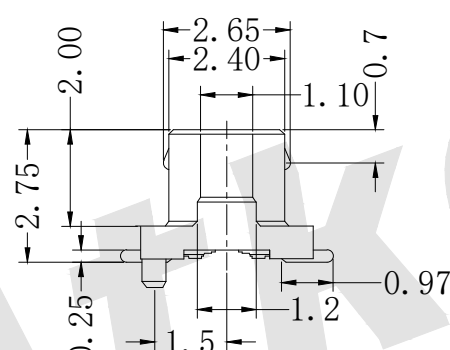
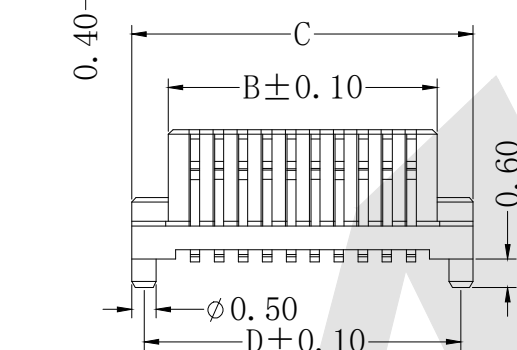


NO. of contacts	A	B	C	D	E
20	4.50	5.60	7.10	6.60	5.37
30	7.00	8.10	9.60	9.10	7.87



Electrical  
 Current Rating:0.5A  
 Voltage Rating:50V AC/DC  
 Contact Resistance:50milliohm Max  
 Insulation Resistance:100Megohm Min  
 Operation Temperature:-20°C to +105°C

Housing Material:PA9T+30%G.F(UL94V-0)  
 Contact Material:Phosphor Btonze  
 Contact plating:Au or Sn over Ni

Ordering Code:

BB0.5B - M - 5.0 - X - X - X - X - 02  
 ① ② ③ ④ ⑤ ⑥ ⑦ ⑧

- ① Series NO:  
0.5mm Board to Board connector
- ② M:Male F:Female
- ③ Mating Height:  
5.0=5.0mm
- ④ NO. of contacts:  
see table  
For example  
20:20poles
- ⑤ Contact Plating  
G0: Gold flash  
G1: 3u" Gold  
G2: 5u" Gold  
G3: 10u" Gold  
G4: 15u" Gold  
G5: 30u" Gold  
SN:Tin
- ⑥ Packing  
T:Tube A:Tray  
B:Bag U:Tube+CAP  
R:tape&Reel  
W:tape&Reel+CAP
- ⑦ locating pegs type  
A:without locating pegs  
B:with locating pegs  
BL:with large locating pegs
- ⑧ serial number: 02

Unless Otherwise specified tolerance  
 X. ±0.35 X.XX: ±0.20  
 X.X: ±0.25 X.XXX: ±0.15

SCALE: As Shown UNIT: mm  
 DRAW ZLA DATE 24/10/2022  
 CHECK BobYang DATE 24/10/2022  
 VER. A0

**Atkconn**® ATKCONN ELECTRONICS CO., LTD  
[Http://www.atkconn.com](http://www.atkconn.com)

TITLE: 0.5mm Board to Board connector, Male with locating pegs type, mating Height=5.0mm

DRAWING NO: BB0.5BM-5.0XXXX02

PRODUCT NO: BB0.5BM-5.0XXXX02

REV	DESCRIPTION	DATE
1		
2		
3		
4		
5		