



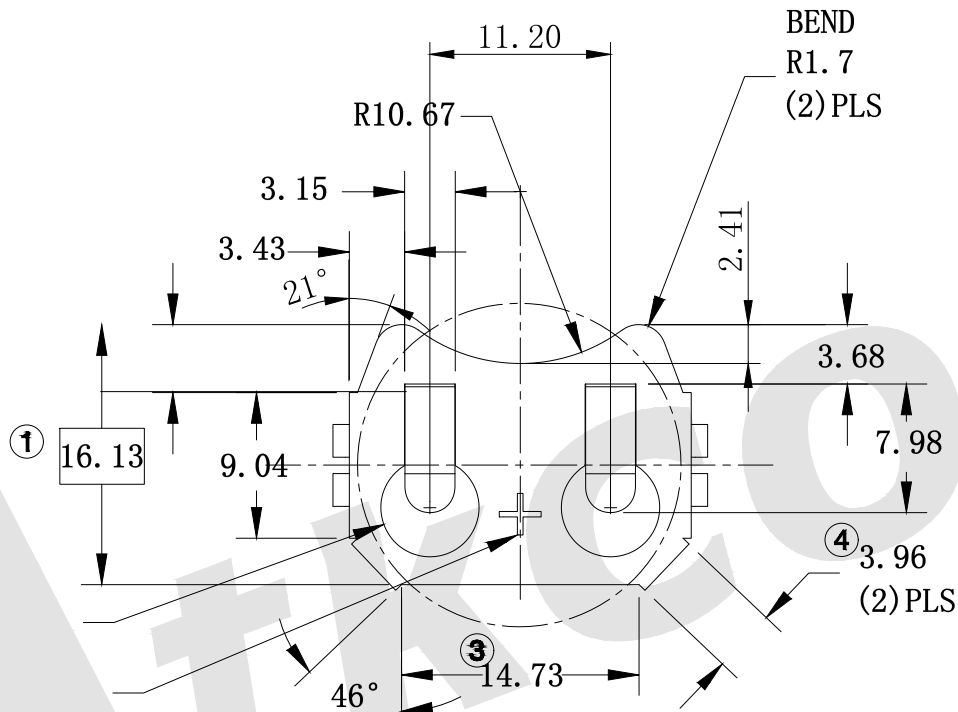
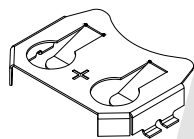
MOUNTING PAD LAYOUT



NEG. CONTACT (PAD)  
.156 (3.96) SQ. MIN.



ACTUAL SIZE



NOTE:

- 1. ALL INSIDE BEND RADII TO BE A MIN. OF MATERIAL THICKNESS UNLESS OTHERWISE SPECIFIED.
- 2. PART MUST BE FREE OF ALL BURRS AND SHARP EDGES.
- 3. MAT'L: 0.254 TH'K FULL HARD PHOSPHOR BRONZE
- 4. FINISH: NICKEL PLATE  
0.00254-0.00762 NICKEL, OVER  
0.00127-0.00254 COPPER
- 5. INDICATES CRITICAL DIMENSION

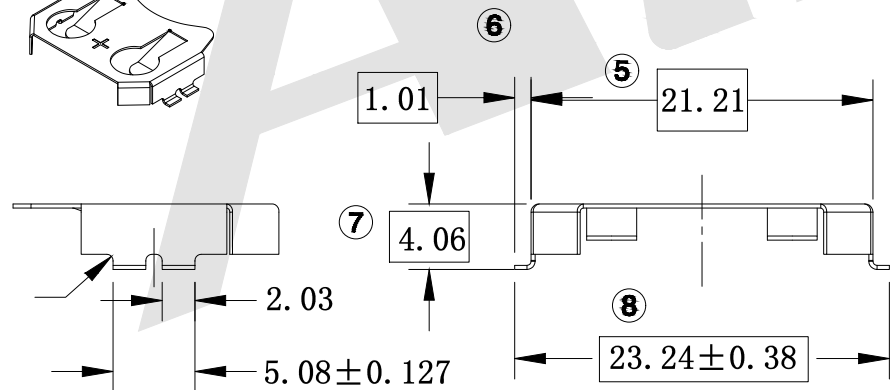
NOTES:

- 1. MATERIAL:  
0.30mm PHOSPHOR BRONZE, NICKEL PLTD.
- 2. ROHS 2 COMPLIANT

Order code:

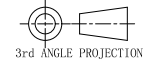
BS - M - SI - R - CR3034A  
 ① ② ③ ④ ⑤

- ① BS: Battery contacts
- ② Appearance for the product  
M: SMT TYPE  
S: 180 TYPE  
R: 90 TYPE
- ③ Contact Plating  
SI: Nickel plated  
SN: Tin  
G0: Gold flash  
G1: 3U" Gold  
G2: 5U" Gold  
G3: 10U" Gold  
G4: 15U" Gold  
G5: 30U" Gold
- ④ Packing:  
B: Bag bulk packing  
R: Tape & Reel packing
- ⑤ Product number  
CR3034A



Unless Otherwise specified tolerance  
 X. ±0.35 X.XX: ±0.20  
 X.X: ±0.25 X.XXX: ±0.15

SCALE: As Shown UNIT: mm  
 DRAW ZLA DATE 21/07/2022  
 CHECK BobYang DATE 21/07/2022



**Atkconn**® ATKCONN ELECTRONICS CO., LTD  
[Http://www.atkconn.com](http://www.atkconn.com)

TITLE: BATTERY CONTACTS FOR CR3034.  
 BR2016. DL2020. CR2025. CR2032

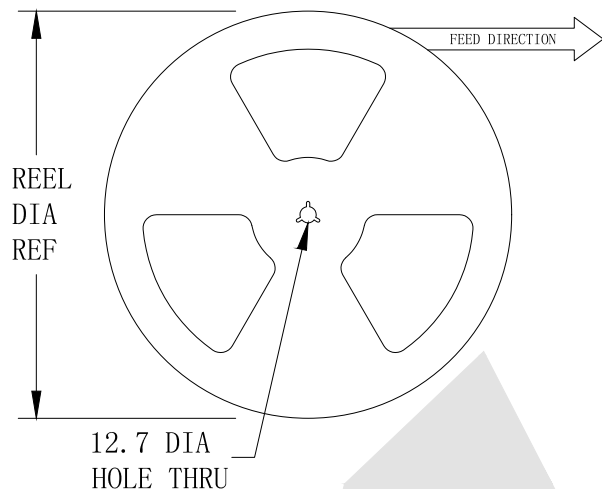
DRAWING NO: BS-M-SI-R-CR3034A  
 PRODUCT NO: BS-M-SI-R-CR3034A

REV	DESCRIPTION	DATE
1		
2		
3		
4		
5		
6		
7		
8		

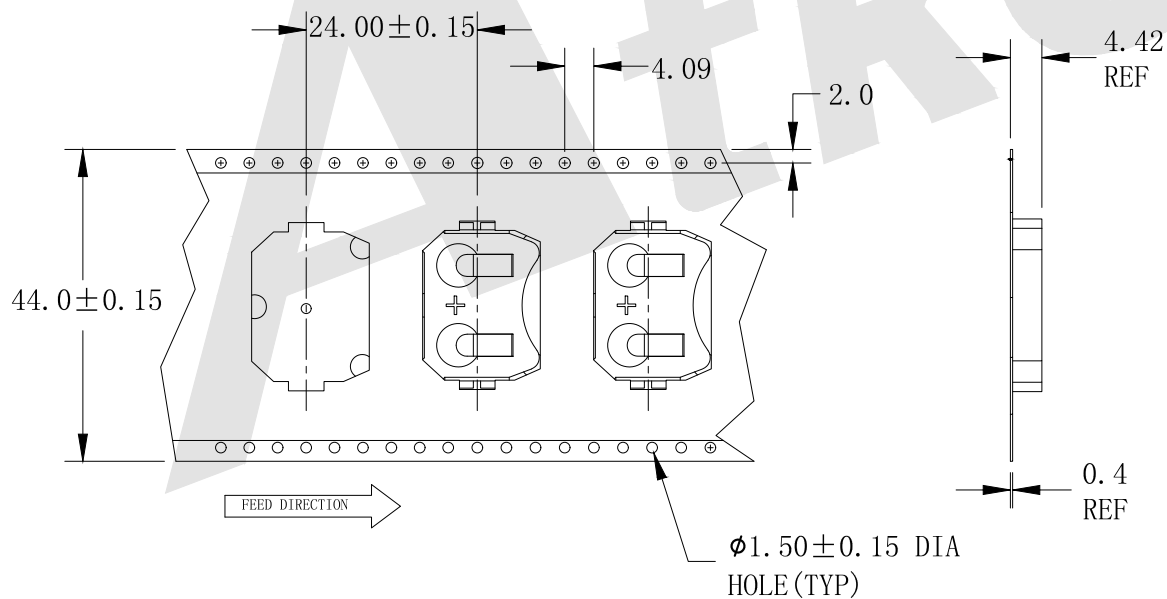
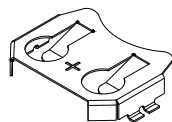
HSF



ROHS



SEE INSPECTION REQUIREMENT



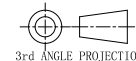
NOTES:

TAPE AND REEL SPECIFICATIONS:

- 1. TAPE:  
MAT'L-ALL CONDUCTIVE POLYSTYRENE CARRIER  
ANSI/EIA-481 STANDARD
- 2. REEL:  
330.2 DIA 500PIECES OF  
PART NO. BS-M-SI-R-3034A PER REEL.

Unless Otherwise specified tolerance  
 X. ±0.35 X.XX: ±0.20  
 X.X: ±0.25 X.XXX: ±0.15

SCALE: As Shown	UNIT: mm
DRAW ZLA	DATE 21/07/2022
CHECK BobYang	DATE 21/07/2022



**Atkconn**® ATKCONN ELECTRONICS CO., LTD  
[Http://www.atkconn.com](http://www.atkconn.com)

TITLE: BATTERY CONTACTS FOR CR3034. BR2016. DL2020. CR2025. CR2032

DRAWING NO: BS-M-SI-R-CR3034A

PRODUCT NO: BS-M-SI-R-CR3034A

REV	DESCRIPTION	DATE
1		
2		
3		
4		
5		